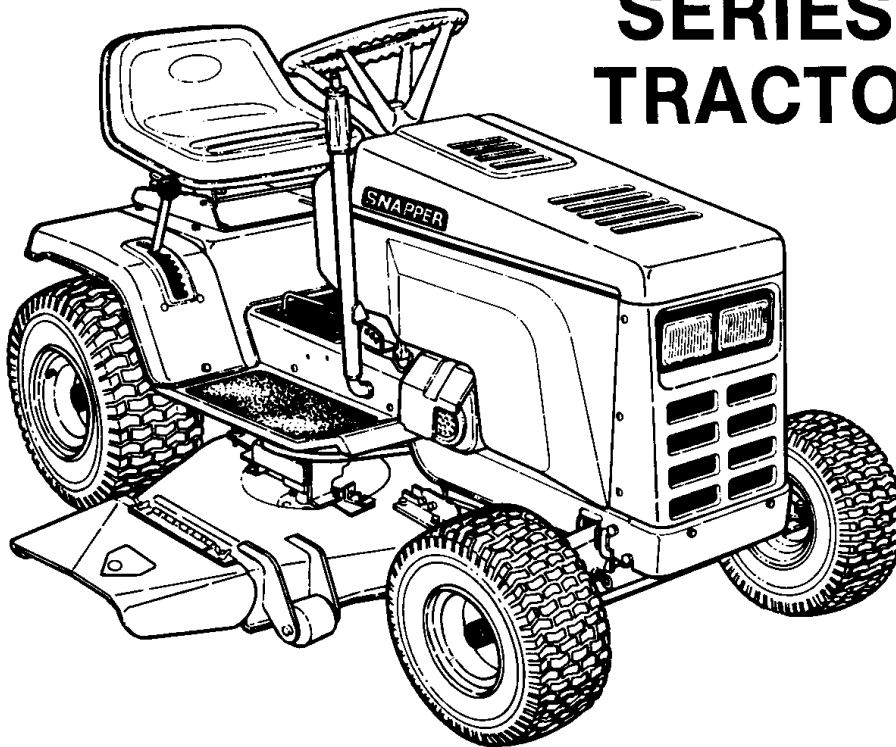


Traktor Bezeichnung: LT12D 33 & LT12D 41 Series 0 Tractor Modell: Jahr:

Parts Manual for

SNAPPER®

LT12D 33 & LT12D 41
SERIES 0
TRACTOR



SNAPPER POWER EQUIPMENT

McDonough, GA • 30253



(IR 9/89 ISSUE)

MANUAL NO. 06414

Traktor Bezeichnung: LT12D 33 & LT12D 41 Series 0 Tractor Modell: Jahr:

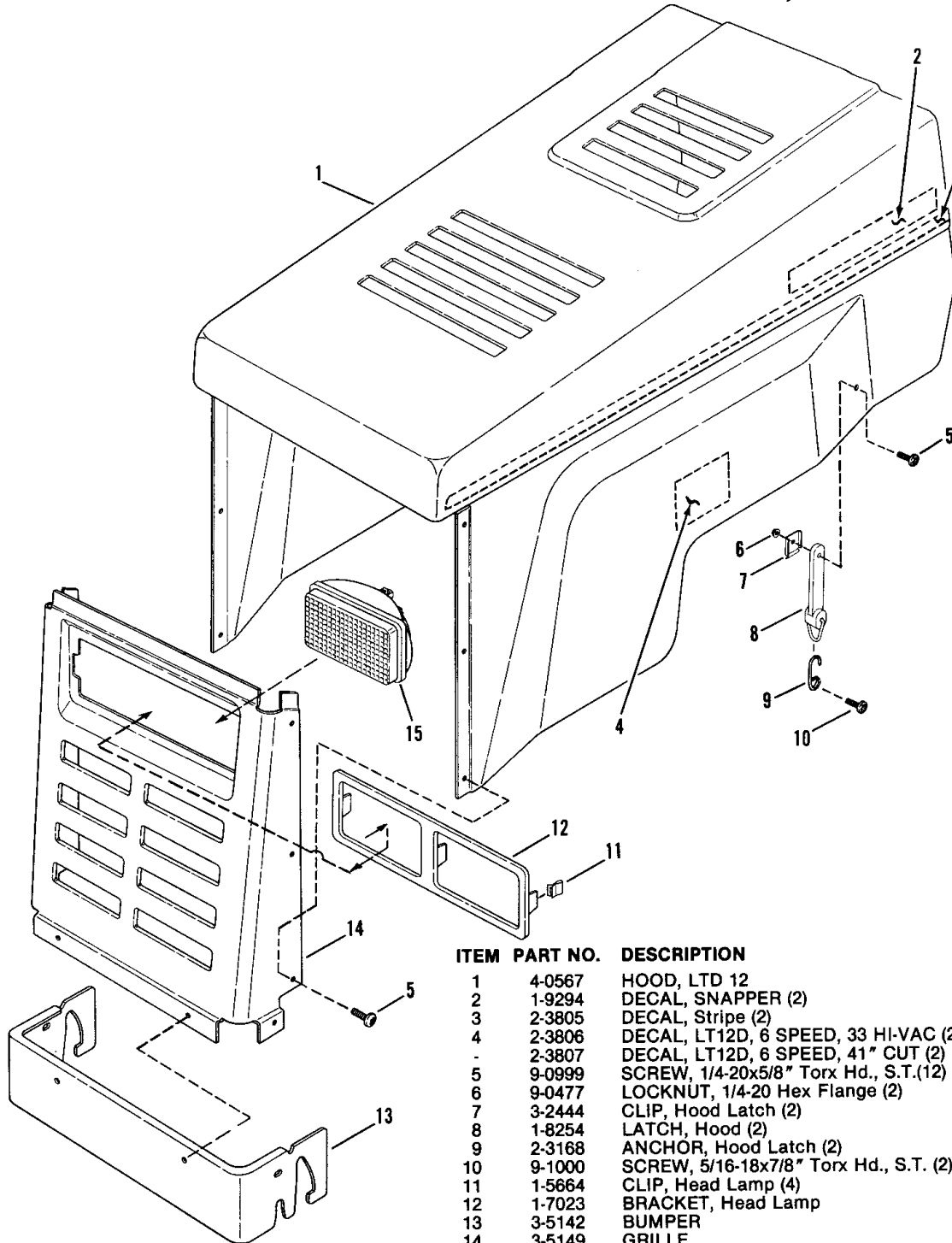
CONTENTS

<u>PAGE</u>	<u>GROUP</u>
3	HOOD, GRILLE, HEADLAMPS
4,5	DASH PANEL, FUEL TANK, BATTERY
6,7	ENGINE, ENGINE BASE & DRIVE PARTS
8,9	STEERING & FRONT AXLE PARTS
10,11	SEAT, REAR FENDER
12,13	CLUTCH, BRAKE & TRANSMISSION CONTROLS
14	DISC DRIVE & CLUTCH YOKE
15	BLADE ENGAGEMENT
16,17	TRANSMISSION ASSEMBLY PARTS
18,19	CHAIN CASE & SMOOTH CLUTCH ASSEMBLY
20,21	TRANSMISSION SUPPORT & COMPONENTS
22	IMPLEMENT LIFT PARTS
23	ELECTRICAL SYSTEM
24,25	33" CUTTING DECK, BELTS, BRAKES
26,27	41" CUTTING DECK
28	BELT, BLADE BRAKE, 41" DECK
29	WHEELS-FRONT
30	WHEELS-REAR

IT IS THE POLICY OF SNAPPER POWER EQUIPMENT TO IMPROVE ITS PRODUCTS WHENEVER IT IS POSSIBLE AND PRACTICAL TO DO SO. WE RESERVE THE RIGHT TO MAKE CHANGES OR ADD IMPROVEMENTS AT ANY TIME WITHOUT INCURRING ANY OBLIGATION TO MAKE SUCH CHANGES ON PRODUCTS MANUFACTURED PREVIOUSLY.

Traktor Bezeichnung: LT12D 33 & LT12D 41 Series 0 Tractor Modell: Jahr:

HOOD GRILLE, HEADLAMPS



ITEM	PART NO.	DESCRIPTION
1	4-0567	HOOD, LTD 12
2	1-9294	DECAL, SNAPPER (2)
3	2-3805	DECAL, Stripe (2)
4	2-3806	DECAL, LT12D, 6 SPEED, 33 HI-VAC (2)
-	2-3807	DECAL, LT12D, 6 SPEED, 41" CUT (2)
5	9-0999	SCREW, 1/4-20x5/8" Torx Hd., S.T.(12)
6	9-0477	LOCKNUT, 1/4-20 Hex Flange (2)
7	3-2444	CLIP, Hood Latch (2)
8	1-8254	LATCH, Hood (2)
9	2-3168	ANCHOR, Hood Latch (2)
10	9-1000	SCREW, 5/16-18x7/8" Torx Hd., S.T. (2)
11	1-5664	CLIP, Head Lamp (4)
12	1-7023	BRACKET, Head Lamp
13	3-5142	BUMPER
14	3-5149	GRILLE
15	1-8829	HEAD LAMP (2)

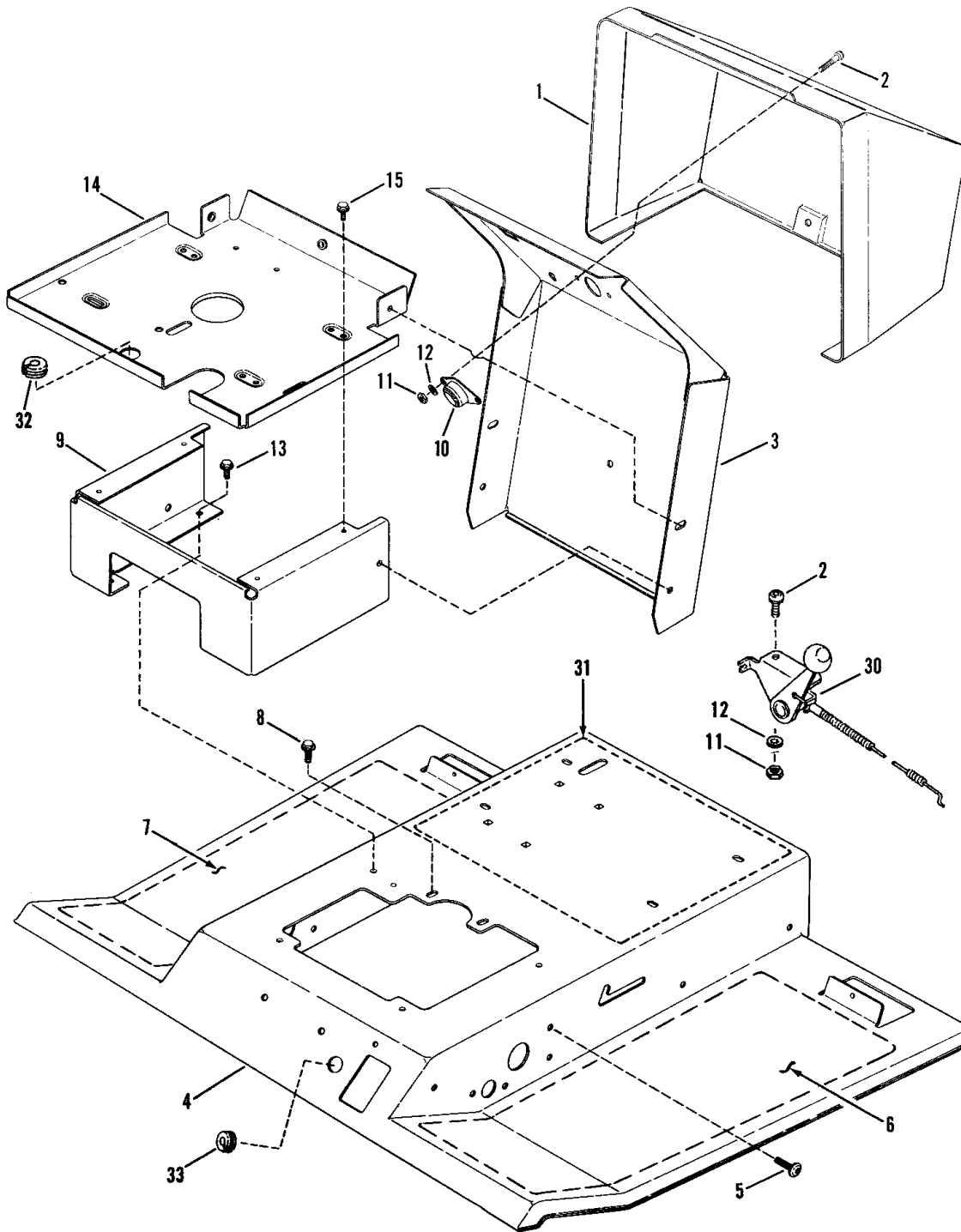
LT12D

3

MANUAL NO. 06414

Traktor Bezeichnung: LT12D 33 & LT12D 41 Series 0 Tractor Modell: Jahr:

DASH PANEL, FUEL TANK, BATTERY



MANUAL NO. 06414

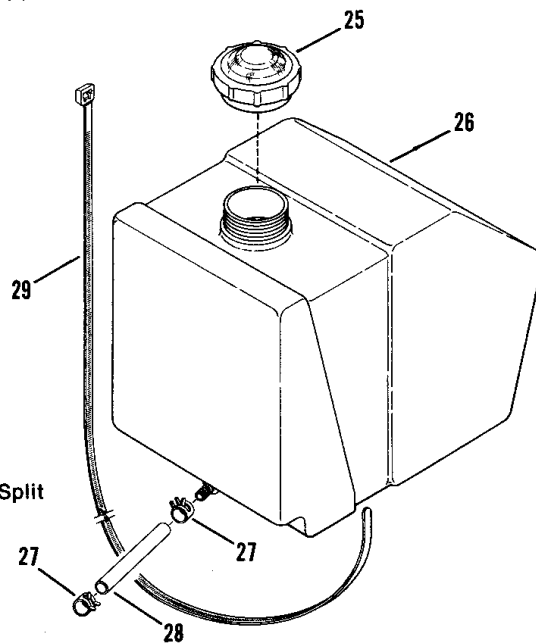
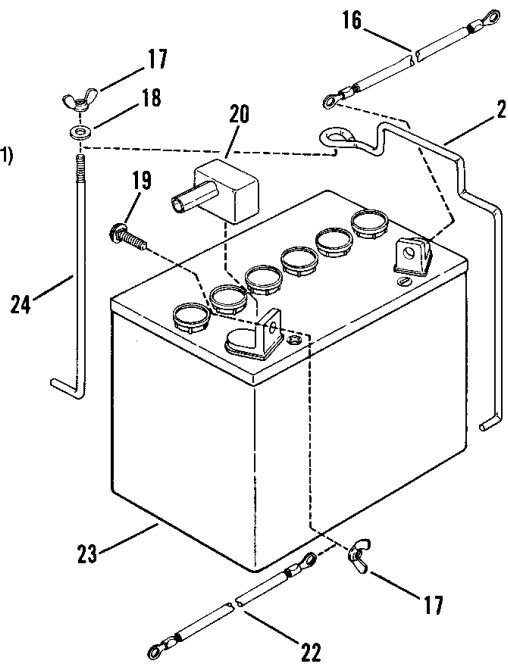
4

LT12D

Traktor Bezeichnung: LT12D 33 & LT12D 41 Series 0 Tractor Modell: Jahr:

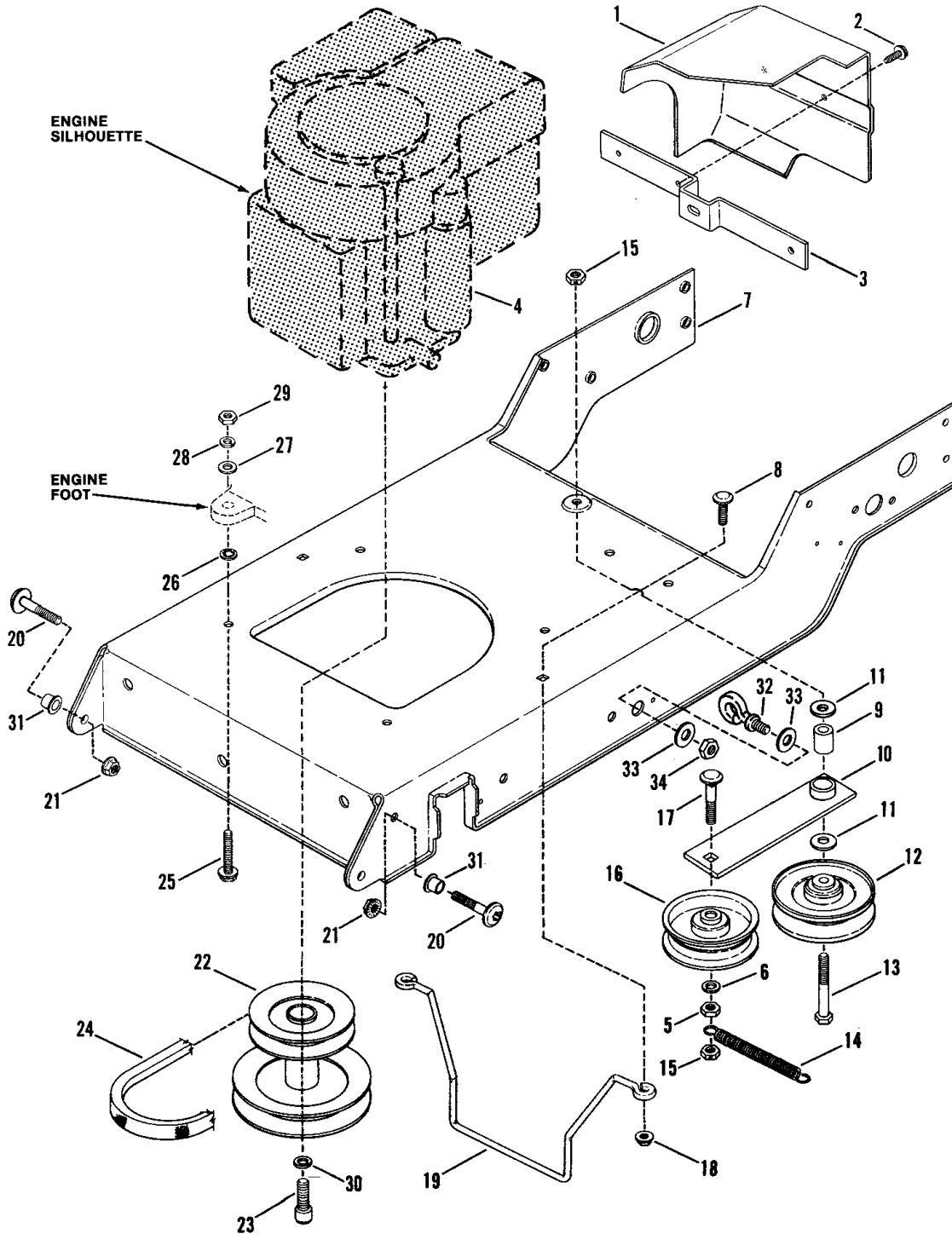
DASH PANEL, FUEL TANK, BATTERY

ITEM	PART NO.	DESCRIPTION
1	5-7557	PANEL, Dash
2	9-0996	SCREW, 1/4-20x1" Phillips (4)
3	3-5137	SUPPORT, Steering Shaft
4	5-1915	CHANNEL, Foot Rest (Includes Decal, item 31)
5	9-1001	SCREW, 5/16-18x5/8" Torx, S.T. (14)
6	1-9047	TREAD, Left Side (Non-Skid)
7	1-9046	TREAD, Right Side (Non-Skid)
8	9-0361	SCREW, 5/16-18x5/8" H.C.S.T. (2)
9	3-5138	MOUNT, Fuel Tank/Battery
10	2-3173	FLANGE ASSM'Y., Steering Shaft
11	9-0063	NUT, 1/4-20 Hex (4)
12	9-0053	WASHER, 1/4 Internal Tooth Lock (4)
13	9-0858	SCREW, 5/16-18x1/2" Self-Tapping (4)
14	3-5139	PLATE, Fuel Tank & Battery Mount
15	9-0539	SCREW, 1/4-20x1/2" H.C.S.T. (4)
16	1-4475	CABLE, Negative Terminal
17	9-0311	WING-NUT, 1/4-20 (3)
18	9-0055	WASHER, 1/4 SAE
19	9-0074	BOLT, 1/4-20x3/4" Short Neck Carr. (2)
20	1-2444	COVER, Positive Terminal
21	1-4434	CLAMP, Battery
22	1-4476	CABLE, Positive Terminal
23	1-9044	BATTERY, 12V., 21 Amp Hour
24	2-3194	HOLD-DOWN, Battery
25	1-4363	CAP, Fuel Tank
26	1-6060	TANK, Fuel
27	1-2222	CLAMP, Fuel Line (2)
28	3-2542	LINE, Fuel (3" Long)
29	2-3195	CABLE-TIE, Fuel Tank Hold-Down
30	1-9037	CONTROL, Throttle
31	1-7026	DECAL, Caution & Instruction
32	2-3166	GROMMET, 11/16 I.D.x1-5/16" O.D. Split
33	1-4856	GROMMET, 5/16 I.D.x1" O.D. Split



Traktor Bezeichnung: LT12D 33 & LT12D 41 Series 0 Tractor Modell: Jahr:

ENGINE, ENGINE BASE & DRIVE PARTS



MANUAL NO. 06414

6

LT12D

Traktor Bezeichnung: LT12D 33 & LT12D 41 Series 0 Tractor Modell: Jahr:

ENGINE, ENGINE BASE & DRIVE PARTS

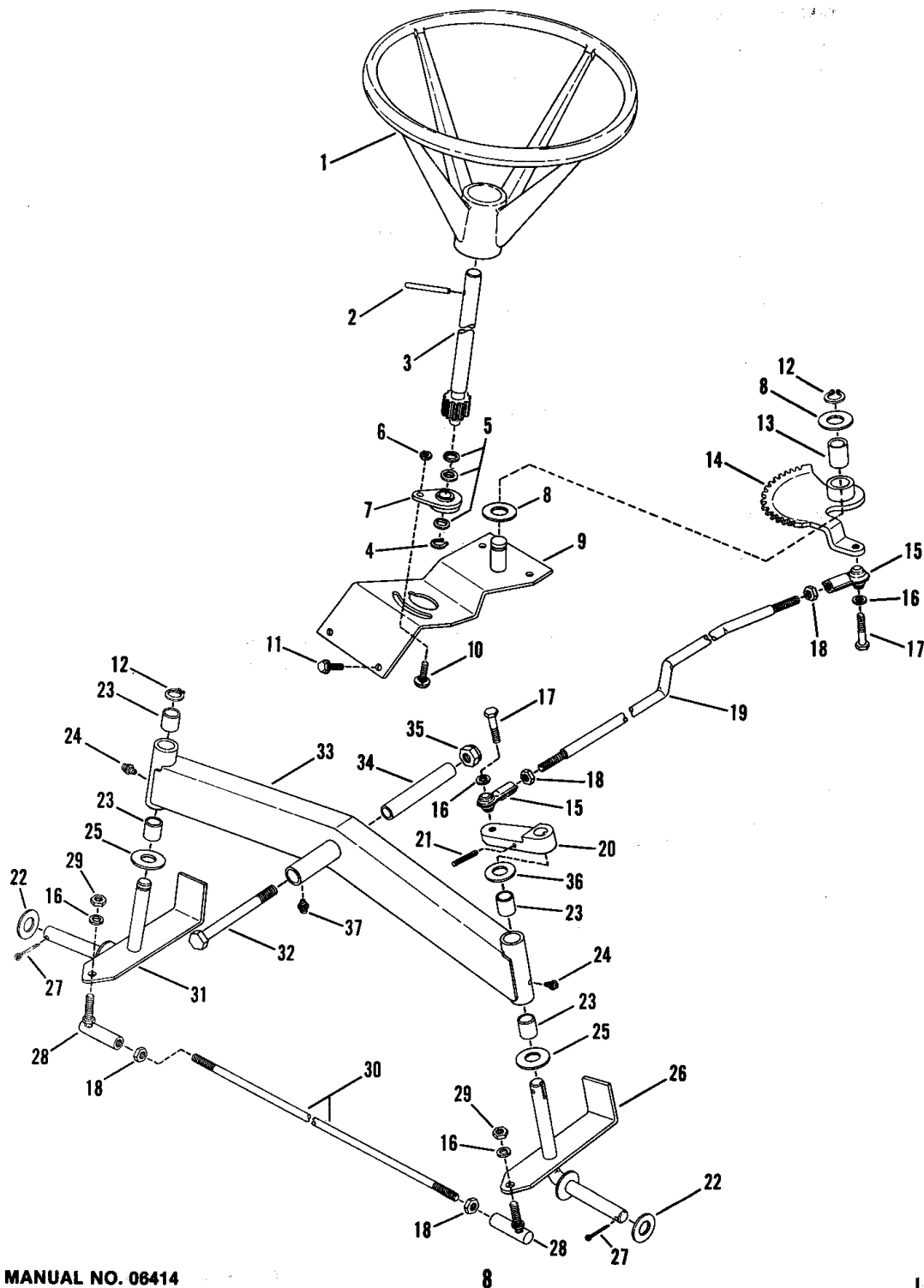
ITEM	PART NO.	DESCRIPTION
1	1-7022	HEAT SHIELD
2	9-0853	SCREW, #10-24x1/2" H.W.S.T. (2)
3	3-8374	BRACKET, Heat Shield
4	*	ENGINE, Briggs & Stratton Model 280707, Type 013501
5	9-0130	NUT, 3/8-16 Hex
6	9-0118	LOCKWASHER, 3/8 Split (2)
7	3-5147	BASE, Engine
8	9-0788	BOLT, 5/16-18x3/4" Short Neck Carriage (2)
9	2-2062	BUSHING, Idler
10	4-0565	ARM, Idler
11	9-0600	WASHER, 3/8 Flat (2)
12	1-1029	PULLEY, Idler, 4" O.D.
13	9-0629	BOLT, 3/8-16x2-1/4" Hex
14	2-3800	SPRING, Idler Arm
15	9-0546	LOCKNUT, 3/8-16 Hex, Center Lock (2)
16	2-3199	PULLEY, Idler, 3-3/4" O.D.
17	9-1008	BOLT, 3/8-16x2-1/2" Short Neck Carriage
18	9-0585	LOCKNUT, 5/16-18 Hex Flange (2)
19	1-9042	GUIDE, Belt
20	2-3198	SCREW, Shoulder, 3/8-16x1-5/8" (2)
21	9-0613	LOCKNUT, 3/8-16 Hex Flange (2)
22	1-9036	PULLEY ASSEMBLY, Engine
23	9-0836	CAPSCREW, 7/16-20 Hex Socket Head
24	2-3184	V-Belt, Traction Drive, LT12D 41 (Before Serial No. 05003133 Only)**
-	2-3626	V-Belt, Traction Drive, all LT12D 33 (& LT12D41 Serial No. 05003133 & Later)**
25	9-0211	SCREW, 5/16-18x1-1/2" Hex Head Cap (4)
26	1-1791	RETAINER, Bolt (4)
27	9-0188	WASHER, 5/16 Flat (4)
28	9-0187	LOCKWASHER, 5/16 Split (4)
29	9-0196	NUT, 5/16-18 Hex (4)
30	9-0247	LOCKWASHER, 7/16" Split
31	1-2306	BUSHING (2)
32	1-4438	EYE-BOLT
33	1-3848	WASHER, Flat (2)
34	9-0184	LOCKNUT, 5/16-18 Hex

** (NOTES ADDED, 5/90)

* Purchase engine parts, other than those listed, from Briggs & Stratton Service outlet.

Traktor Bezeichnung: LT12D 33 & LT12D 41 Series 0 Tractor Modell: Jahr:

STEERING & FRONT AXLE PARTS



MANUAL NO. 06414

LT-12D

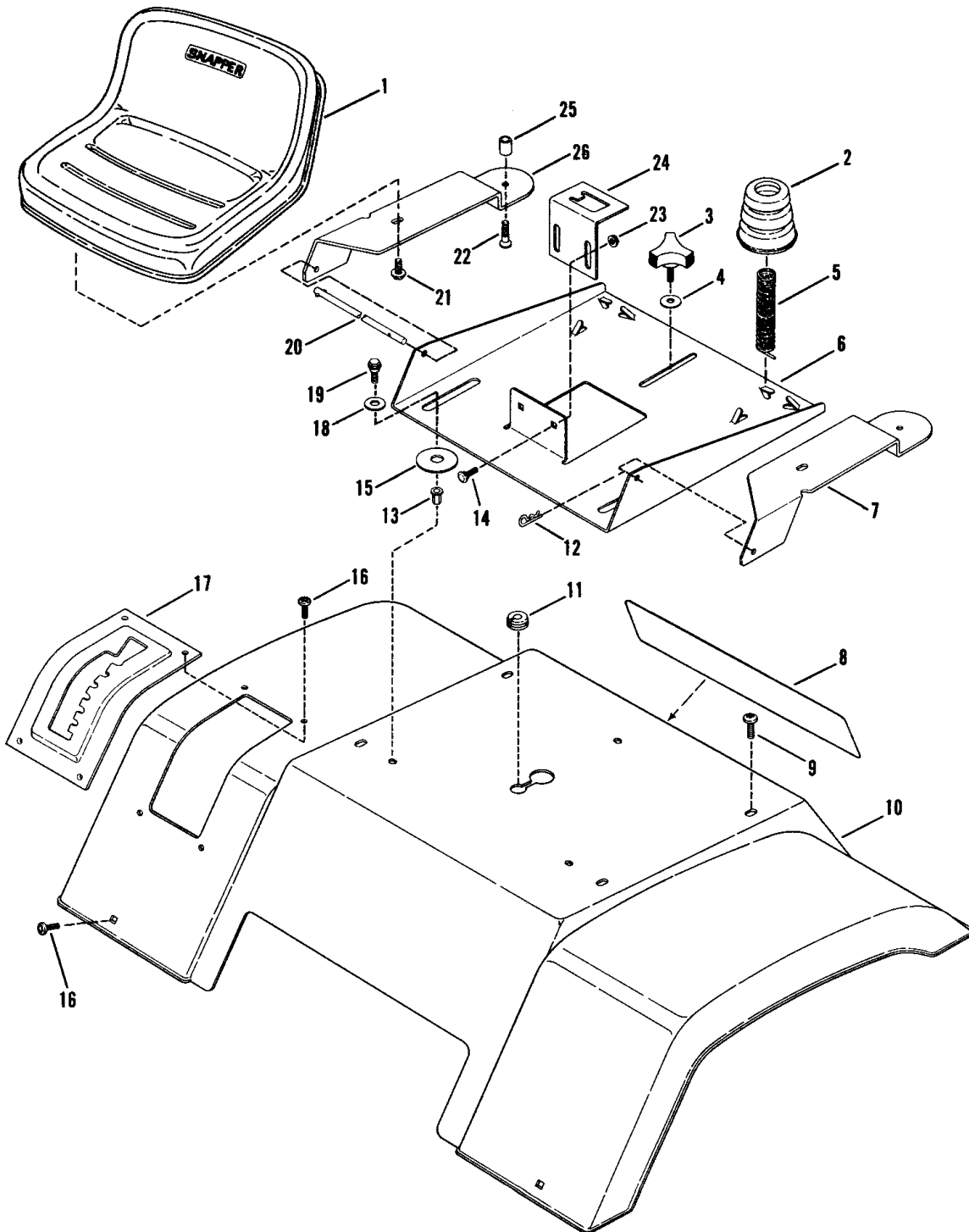
Traktor Bezeichnung: LT12D 33 & LT12D 41 Series 0 Tractor Modell: Jahr:

STEERING & FRONT AXLE PARTS

ITEM	PART NO.	DESCRIPTION
1	1-7040	STEERING WHEEL
2	1-4437	ROLL-PIN
3	4-0610	SHAFT, Steering
4	1-0776	RING, Retaining
5	1-4296	WASHER, Shim (3)
6	9-0583	LOCKNUT, 1/4-20 Hex Flange
7	5-1751	ADJUSTER, Steering
8	1-1071	WASHER, Thrust (2)
9	4-7938	ASSEMBLY, Steering Support
10	9-0551	BOLT, 1/4-20x5/8" Short Neck Carriage
11	9-0361	SCREW, 5/16-18x5/8" Self-Tapping (4)
12	1-0746	RING, Retaining
13	1-5140	BEARING
14	5-1742	ASSEMBLY, Sector
15	2-3200	ROD-END, Drag Link (2)
16	9-0118	LOCKWASHER, 3/8 Split
17	9-0163	SCREW, 3/8-24x1-1/4" Hex Head Cap
18	9-0482	JAM-NUT, 3/8-24 Hex (4)
19	1-6062	DRAG-LINK
20	1-9034	ARM, Steering
21	9-0842	ROLL-PIN
22	3-2027	WASHER, Flat (3)
23	1-2706	BEARING, Sleeve (4)
24	1-3864	FITTING, Lube (2)
25	3-1036	WASHER, Thrust
26	4-9768	SPINDLE ASSEMBLY, L.H.
27	9-0364	COTTER-PIN (2)
28	1-0745	BALL-JOINT (2)
29	9-0155	NUT, 3/8-24 Hex (2)
30	2-3200	TIE-ROD
31	4-9767	SPINDLE ASSEMBLY, R.H.
32	9-0993	SCREW, 1/2-20x4-1/2" Hex Head Cap
33	5-7536	ASSEMBLY, Front Axle (Includes four item 25, two item 26, one item 39)
34	2-2070	SPACER, Axle Pivot
35	9-0819	LOCKNUT, 1/2-20 Hex
36	1-0935	WASHER
37	1-4871	FITTING, Lube

Traktor Bezeichnung: LT12D 33 & LT12D 41 Series 0 Tractor Modell: Jahr:

SEAT, REAR FENDER



MANUAL NO. 06414

10

LT12D

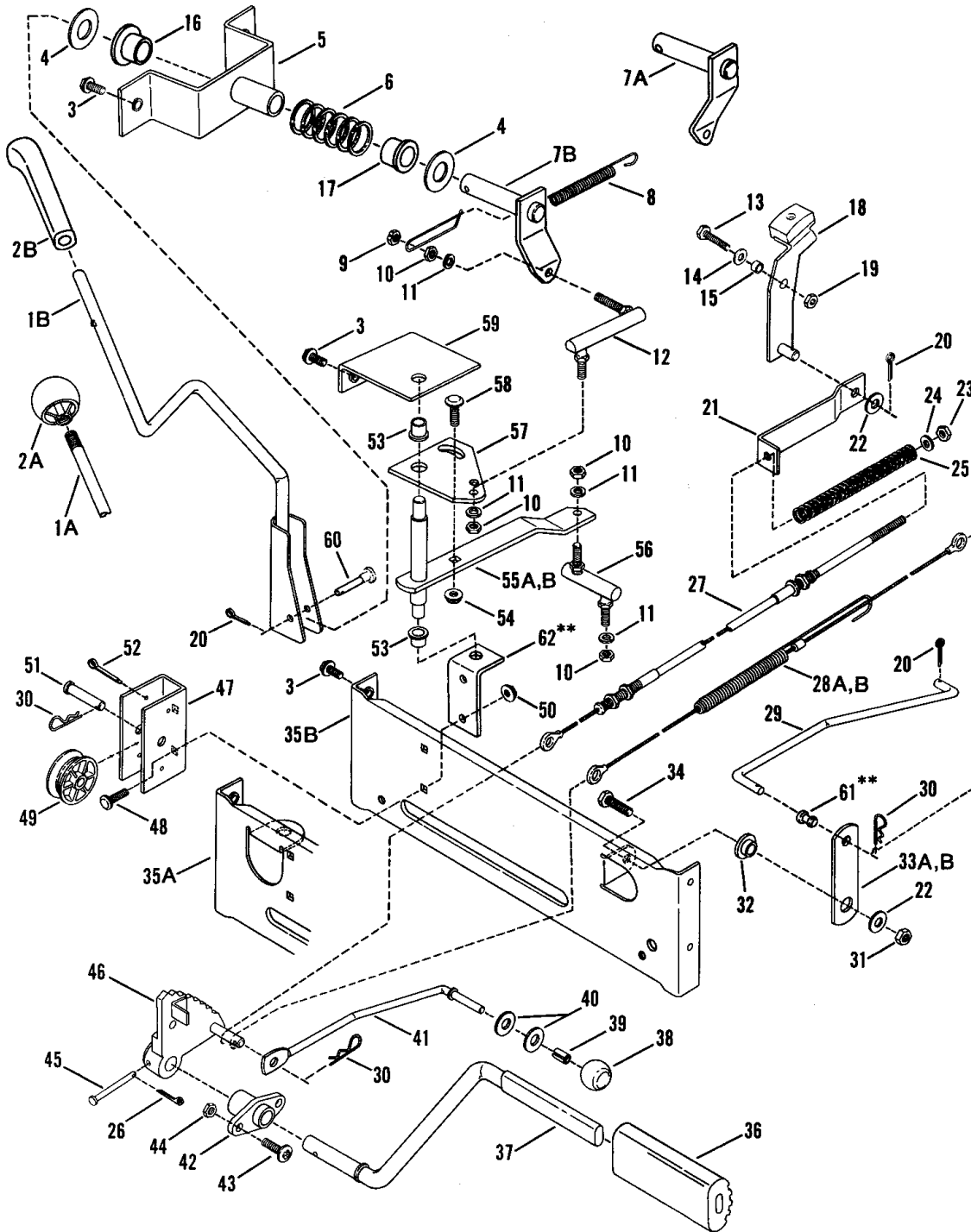
Traktor Bezeichnung: LT12D 33 & LT12D 41 Series 0 Tractor Modell: Jahr:

SEAT, REAR FENDER

ITEM	PART NO.	DESCRIPTION
1	1-6082	SEAT, Operator's
2	1-9109	CUSHION, Seat (2)
3	2-3191	KNOB, Seat Adjustment
4	1-1763	WASHER
5	2-3190	SPRING (2)
6	3-6253	SUPPORT, Seat
7	3-8536	BRACKET, Seat Support, L.H.
8	1-9279	DECAL, SNAPPER
9	9-1000	SCREW, 5/16-18x7/8" Torx. Hd., S.T. (4)
10	3-5145	FENDER, Rear
11	1-4856	GROMMET, 5/16 I.D.x1" O.D. Split
12	1-2431	PIN, Hair
13	2-3193	RIV-NUT, 5/16-18 (3)
14	9-0605	BOLT, 5/16-18x5/8" Short Neck Carriage (2)
15	3-2692	SPACER (2)
16	9-0999	SCREW, 1/4-20x5/8" Torx Hd., Self-Tapping (6)
17	3-6251	DETENT, Shift
18	2-3192	WASHER (2)
19	1-5761	SCREW, Shoulder, 5/16-18x3/4" (2)
20	1-9035	ROD, Seat Hinge
21	9-0721	BOLT, 5/16-18x1/2" Hex Flange Lock (2)
22	7-7683	SCREW, 5/16cx1" Flat Hd. Hex Recess (2)
23	9-0585	NUT, 5/16-18 Hex Flange Lock (2)
24	3-2732	BRACKET, Switch
25	2-3478	SPACER, (2)
26	3-8537	BRACKET, Seat Support, R.H.

Traktor Bezeichnung: LT12D 33 & LT12D 41 Series 0 Tractor Modell: Jahr:

CLUTCH, BRAKE & TRANSMISSION CONTROLS



MANUAL NO. 06414 (Rev. 5/90)

12

LT12D

Traktor Bezeichnung: LT12D 33 & LT12D 41 Series 0 Tractor Modell: Jahr:

CLUTCH, BRAKE & TRANSMISSION CONTROLS

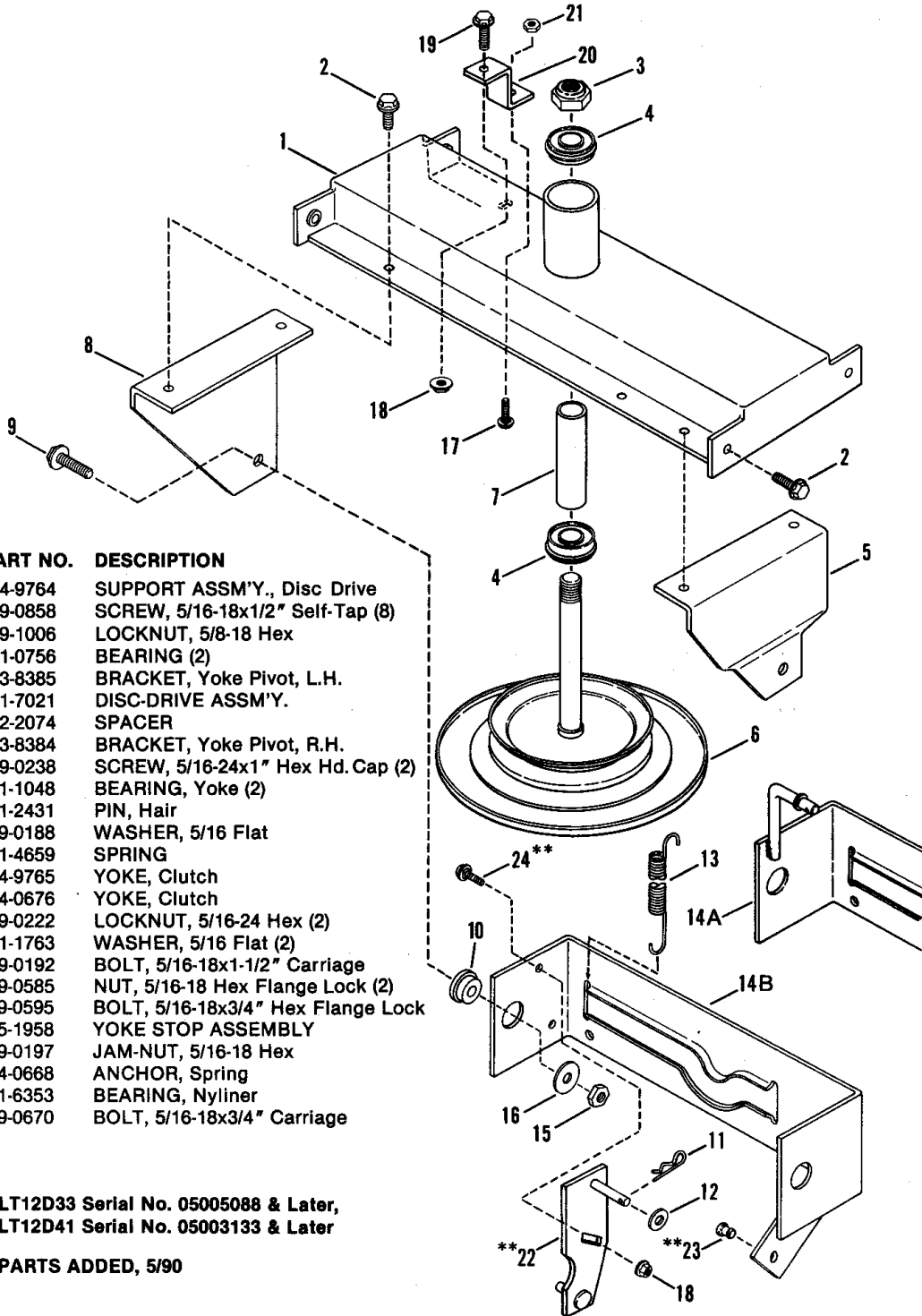
ITEM	PART NO.	DESCRIPTION	ITEM	PART NO.	DESCRIPTION
1A	4-7936	SHIFTER, Transmission (Threaded)	31	9-0289	LOCKNUT, 3/8-24 Hex
1B	*4-0673	SHIFTER, Transmission	32	1-4314	SPACER
2A	1-4766	KNOB, Shifter (Round)	33A	3-2708	ARM, Pivot
2B	*2-3656	KNOB, Shifter (Elongated)	33B	*3-2932	ARM, Pivot
3	9-0858	SCREW, 5/16-18x1/2" Self-Tapping (4)	34	9-0160	SCREW, 3/8-24x1" Hex Hd. Cap
4	3-1036	WASHER, Thrust (2)	35A	3-8373	BRACE
5	4-7937	PIVOT, Shifter	35B	*3-2926	BRACE
6	1-4442	SPRING, Shift Detent	36	1-2661	PAD, Petal
7A	4-0566	ARM, Shifter	37	1-7024	PEDAL, Clutch/Brake
7B	*4-0670	ARM, Shifter	38	2-3188	KNOB, Latch
8	1-9031	SPRING	39	2-3189	RING, Tolerance
9	9-0222	LOCKNUT, 5/16-24 Hex	40	2-3649	WASHER (2)
10	9-0223	NUT, 5/16-24 Hex (4)	41	1-9033	LATCH, Clutch/Brake
11	9-0187	LOCKWASHER, 5/16 Split (4)	42	2-3170	PIVOT, Clutch/Brake Pedal
12	2-3179	LINK, Shift	43	9-1000	SCREW, 5/16-18x7/8" Torx (2)
13	9-0535	SCREW, 1/4-28x1" Hex Hd. Cap	44	9-0196	NUT, 5/16-18 Hex (2)
14	9-0055	WASHER, 1/4 SAE Flat	45	2-3645	PIN, Clevis, 3/16x1-1/2"
15	1-0916	SPACER	46	4-0564	BRACKET, Pedal Pivot
16	1-9245	BUSHING, 3/4-1.62 Flange	47	3-2694	BRACKET, Spool
17	1-9246	BUSHING, 3/4-1.0 Flange	48	9-0074	BOLT, 1/4-20x3/4" Short Neck Carriage (2)
18	5-7534	LEVER, Brake Assm'y. (Includes Items 16, 17 & 20)	49	2-3182	SPOOL, Bracket
19	9-0303	LOCKNUT, 1/4-28 Hex	50	9-0583	LOCKNUT, 1/4-20 Hex Flange
20	9-0037	COTTER-PIN, 3/32x3/4" (2)	51	1-2715	PIN, Clevis, 3/8x1-9/32"
21	3-2701	LINK, Brake	52	9-0042	COTTER-PIN, 1/8x1-1/4"
22	9-0122	WASHER, 3/8 SAE Flat	53	1-1016	BEARING (2)
23	9-0184	LOCKNUT, 5/16-18 Hex	54	9-0585	LOCKNUT, 5/16-18 Hex Flange
24	9-0188	WASHER, 5/16 SAE Flat	55A	4-7939	LEVER, Shift
25	2-3177	SPRING, Brake Link	55B	*4-0667	LEVER, Shift
26	9-0038	COTTER-PIN, 3/32x1"	56	1-1018	LINK, Shift
27	1-9038	CABLE, Brake	57	3-2709	LEVER, Shift Adjuster
28A	1-9039	CABLE, Clutch (22.5" Long)	58	9-0670	BOLT, 5/16-18x3/4" Carriage
28B	*1-9170	CABLE, Clutch (23.5" Long)	59	3-2710	BRACKET, Shift
29	1-9032	ROD, Clutch	60	2-3914	PIN, Clevis, 1/4x5/8"
30	1-2431	PIN, Hair (3)	61	**1-6353	BEARING, Nylon
			62	**3-2925	BRACKET, Pivot

*LT12D33 Serial No. 05005088 & Later, LT12D41 Serial No. 05003133 & Later

**PARTS ADDED, 5/90

Traktor Bezeichnung: LT12D 33 & LT12D 41 Series 0 Tractor Modell: Jahr:

DISC DRIVE & CLUTCH YOKE



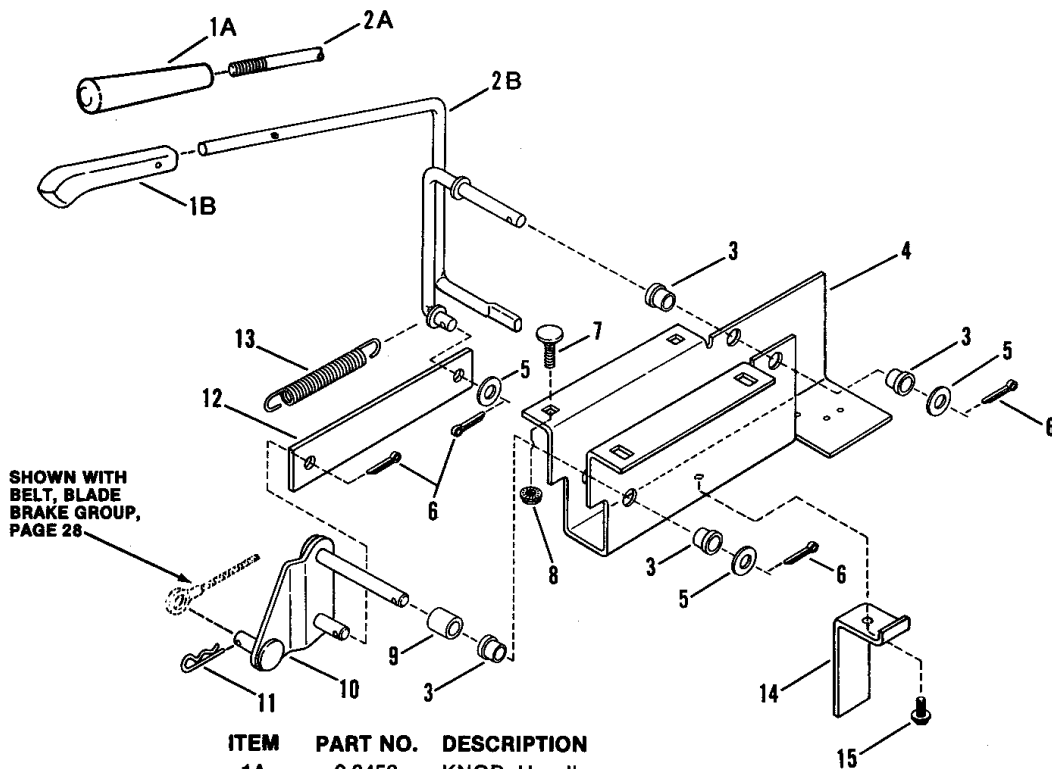
ITEM	PART NO.	DESCRIPTION
1	4-9764	SUPPORT ASSM'Y., Disc Drive
2	9-0858	SCREW, 5/16-18x1/2" Self-Tap (8)
3	9-1006	LOCKNUT, 5/8-18 Hex
4	1-0756	BEARING (2)
5	3-8385	BRACKET, Yoke Pivot, L.H.
6	1-7021	DISC-DRIVE ASSM'Y.
7	2-2074	SPACER
8	3-8384	BRACKET, Yoke Pivot, R.H.
9	9-0238	SCREW, 5/16-24x1" Hex Hd. Cap (2)
10	1-1048	BEARING, Yoke (2)
11	1-2431	PIN, Hair
12	9-0188	WASHER, 5/16 Flat
13	1-4659	SPRING
14A	4-9765	YOKE, Clutch
14B	*4-0676	YOKE, Clutch
15	9-0222	LOCKNUT, 5/16-24 Hex (2)
16	1-1763	WASHER, 5/16 Flat (2)
17	9-0192	BOLT, 5/16-18x1-1/2" Carriage
18	9-0585	NUT, 5/16-18 Hex Flange Lock (2)
19	9-0595	BOLT, 5/16-18x3/4" Hex Flange Lock
20	5-1958	YOKE STOP ASSEMBLY
21	9-0197	JAM-NUT, 5/16-18 Hex
22	**4-0668	ANCHOR, Spring
23	**1-6353	BEARING, Nyliner
24	**9-0670	BOLT, 5/16-18x3/4" Carriage

* LT12D33 Serial No. 05005088 & Later,
LT12D41 Serial No. 05003133 & Later

** PARTS ADDED, 5/90

Traktor Bezeichnung: LT12D 33 & LT12D 41 Series 0 Tractor Modell: Jahr:

BLADE ENGAGEMENT

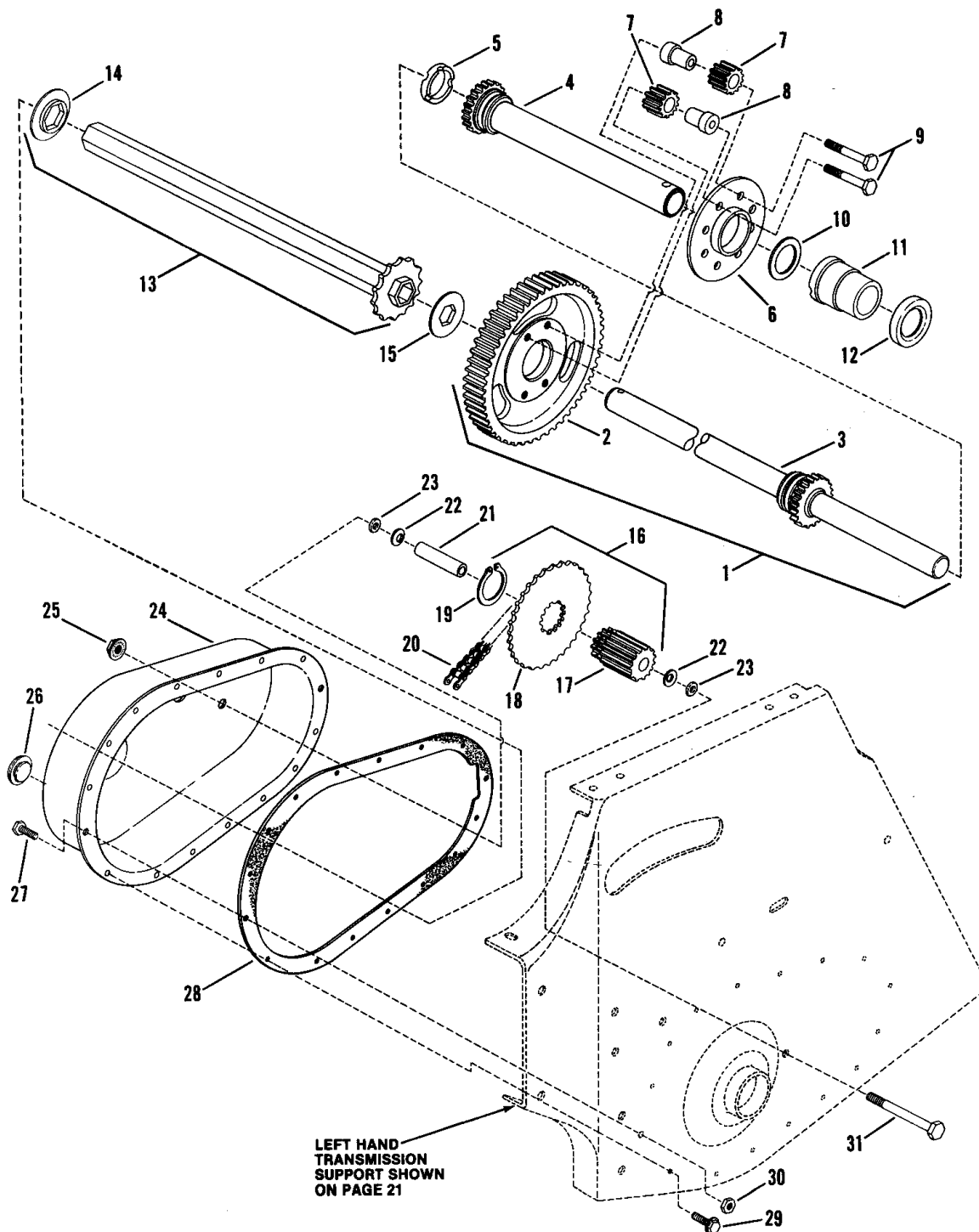


ITEM	PART NO.	DESCRIPTION
1A	2-3458	KNOB, Handle
1B	*1-6356	KNOB, Handle
2A	4-0568	HANDLE, Blade Engagement (Threaded)
2B	*4-0674	HANDLE, Blade Engagement
3	1-3321	BUSHING (4)
4	3-6271	BRACKET, Handle
5	9-0122	WASHER (3)
6	9-0037	COTTER-PIN, 3/32x3/4" Flat Head Carriage (4)
7	9-0803	BOLT, 1/4-20x5/8" Flat Head Carriage (4)
8	9-0583	LOCKNUT, 1/4-20 Hex Flange (4)
9	2-3206	SPACER
10	4-0570	PIVOT ARM ASSEMBLY
11	1-2431	PIN, Hair
12	3-2712	LINK
13	2-3165	SPRING, Return
14	3-2841	GUIDE, Belt
15	9-0853	SCREW, #10-24x1/2" H.W.H.S.T.

*LT12D33 Serial No. 05005088 & Later, LT12D41 Serial No. 05003133 & Later

Traktor Bezeichnung: LT12D 33 & LT12D 41 Series 0 Tractor Modell: Jahr:

TRANSMISSION ASSEMBLY PARTS



MANUAL NO. 06414

16

LT12D

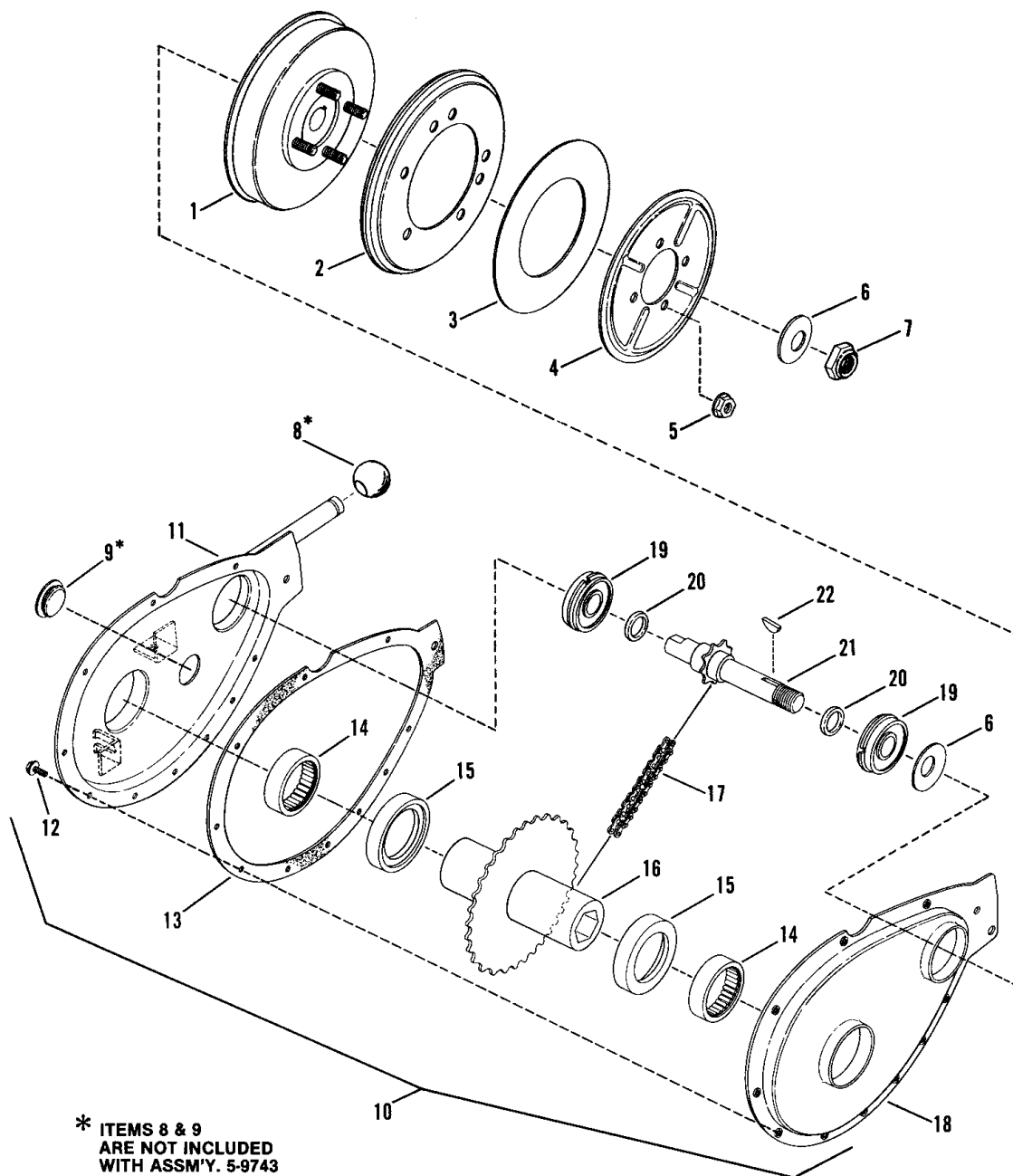
Traktor Bezeichnung: LT12D 33 & LT12D 41 Series 0 Tractor Modell: Jahr:

TRANSMISSION ASSEMBLY PARTS

ITEM	PART NO.	DESCRIPTION
1	5-7533	ASSEMBLY, Differential (Includes items 2 thru 9)
2	2-1158	GEAR, 63 Teeth, 10 Pitch
3	4-7935	AXLE, Long (Includes Gear)
4	5-7532	AXLE, Short (Includes Gear & 2 Internal Bearings)
5	1-1026	SPACER
6	3-8067	PLATE, Differential
7	2-1127	PINION GEARS, Differential (4)
8	2-1126	SPACER, Pinion (4)
9	1-2333	BOLT, 5/16-24x1-5/8" Hex, Special Lock Cap (4)
10	3-1079	WASHER, Thrust
11	1-2296	BEARING, Axle, L.H. Transmission Support (Listed with L.H. Fender Assm'y. on Page 21)
12	1-1817	SEAL, Oil
13	5-1584	ASSEMBLY, Drive Hex Tube (Includes item 14)
14	1-0988	WASHER, Hex Insert
15	1-1072	WASHER, Thrust
16	5-0257	ASSEMBLY, Gear & Sprocket (Includes items 17, 18, & 19)
17	1-0964	GEAR, 11 Teeth, 10 Pitch
18	2-1129	SPROCKET
19	1-0965	RING, Retaining
20	1-0941	CHAIN, 46 Pitch (#35)
21	2-1128	SPACER
22	1-1782	WASHER, Belleville (2)
23	1-1156	O-RING, 5/16" (2)
24	3-6257	CASE, Transmission
25	1-0969	NUT, 5/16-24 Hex Flange Lock
26	1-1024	PLUG, Oil Fill & Check (2)
27	9-0072	SCREW, 1/4-20x5/8" Hex Head Cap (2)
28	1-8060	GASKET, Transmission Case
29	9-0362	SCREW, 1/4-20x5/8" Self-Tapping (14)
30	9-0372	NUT, 1/4-20 Hex Lock (2)
31	1-1042	BOLT, Idler, 5/16-24x2-5/8"

Traktor Bezeichnung: LT12D 33 & LT12D 41 Series 0 Tractor Modell: Jahr:

CHAIN CASE & SMOOTH CLUTCH ASSM'Y.



MANUAL NO. 06414

18

LT12D

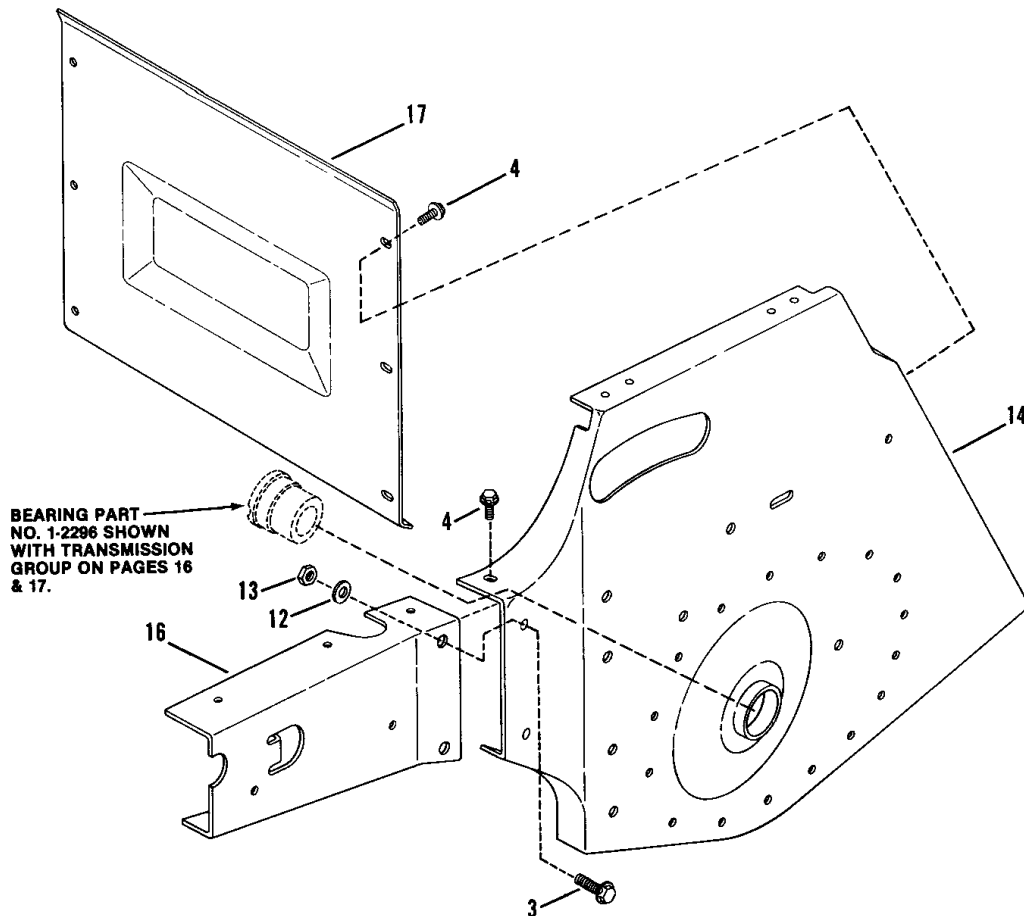
Traktor Bezeichnung: LT12D 33 & LT12D 41 Series 0 Tractor Modell: Jahr:

CHAIN CASE & SMOOTH CLUTCH ASSM'Y.

ITEM	PART NO.	DESCRIPTION
1	5-7338	HUB, Driven Disc
2	5-7337	DISC, Driven
3	1-4523	WASHER, Thrust
4	3-2331	PLATE
5	9-0585	NUT, 5/16-24 Hex Flange Lock (4)
6	1-1121	WASHER, Belleville (2)
7	9-1006	NUT, 5/8-18 Hex Lock
8	1-4396	BUSHING, Primary Clutch Ball
9	1-1024	PLUG, Oil Fill & Check
10	5-9743	ASSEMBLY, Chain Case (Includes items 11 thru 22 & 1 ea. item 6)
11	4-7934	CASE, Sprocket
12	9-0307	SCREW, #10-24x5/8" Self-Tapping (10)
13	1-8059	GASKET, Case Cover
14	1-0942	BEARING, Needle (2)
15	1-1086	WASHER, Nylon Thrust (2)
16	4-0355	HUB & SPROCKET
17	1-0941	CHAIN
18	3-9778	COVER, Chain Case
19	1-0756	BEARING, Ball (2)
20	1-4508	"O"-RING (2)
21	1-0940	SPROCKET & SHAFT
22	1-0614	KEY, Woodruff

Traktor Bezeichnung: LT12D 33 & LT12D 41 Series 0 Tractor Modell: Jahr:

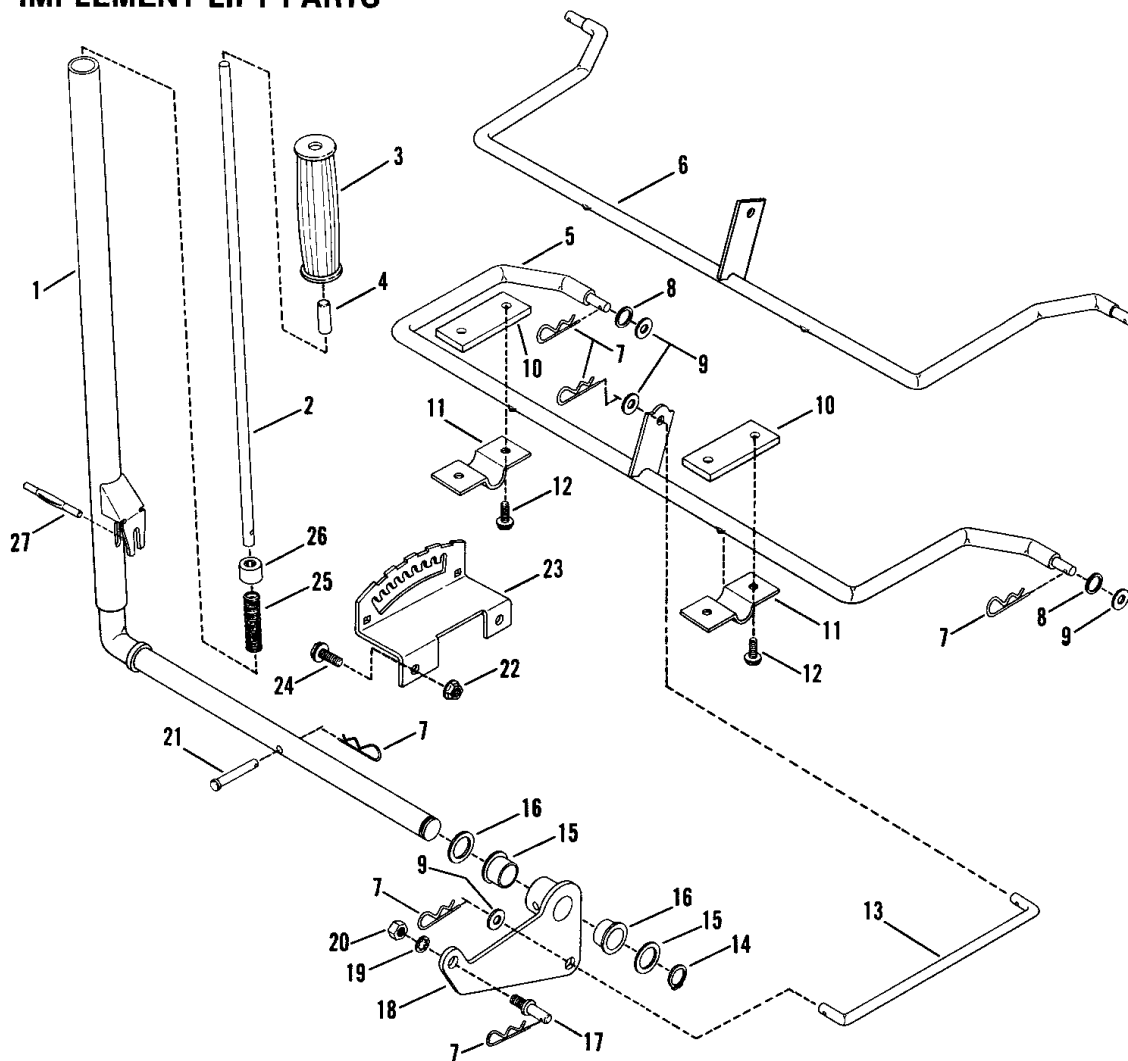
TRANSMISSION SUPPORT & COMPONENTS



ITEM	PART NO.	DESCRIPTION
1	3-5180	EXTENSION, Transmission Support, R.H.
2	3-5144	TRANSMISSION SUPPORT, R.H.
3	9-0582	BOLT, 3/8-16x1" Hex Flange Lock (4)
4	9-0361	SCREW, 5/16-18x5/8" Self-Tapping (8)
5	5-1746	BEARING ASSM'Y., Axle (Includes item 6)
6	1-3324	FITTING, Lube
7	1-1071	WASHER, Thrust
8	1-1072	WASHER, Thrust, Hex Drive Tube
9	1-1037	CLAMP, Boot (4)
10	1-1011	BOOT, Oil Seal
11	1-9179	BOOT, Oil Seal
12	9-0122	WASHER, 3/8 SAE (4)
13	9-0546	NUT, 3/8-16 Center Lock (4)
14	5-1759	TRANSMISSION SUPPORT, L.H. (Includes Bearing P.N. 1-2296 shown on Pages 16 & 17)
15	1-0967	DUST CAP, R.H. Transmission Support
16	3-5179	EXTENSION, Transmission Support, L.H.
17	3-6252	COVER, Rear

Traktor Bezeichnung: LT12D 33 & LT12D 41 Series 0 Tractor Modell: Jahr:

IMPLEMENT LIFT PARTS

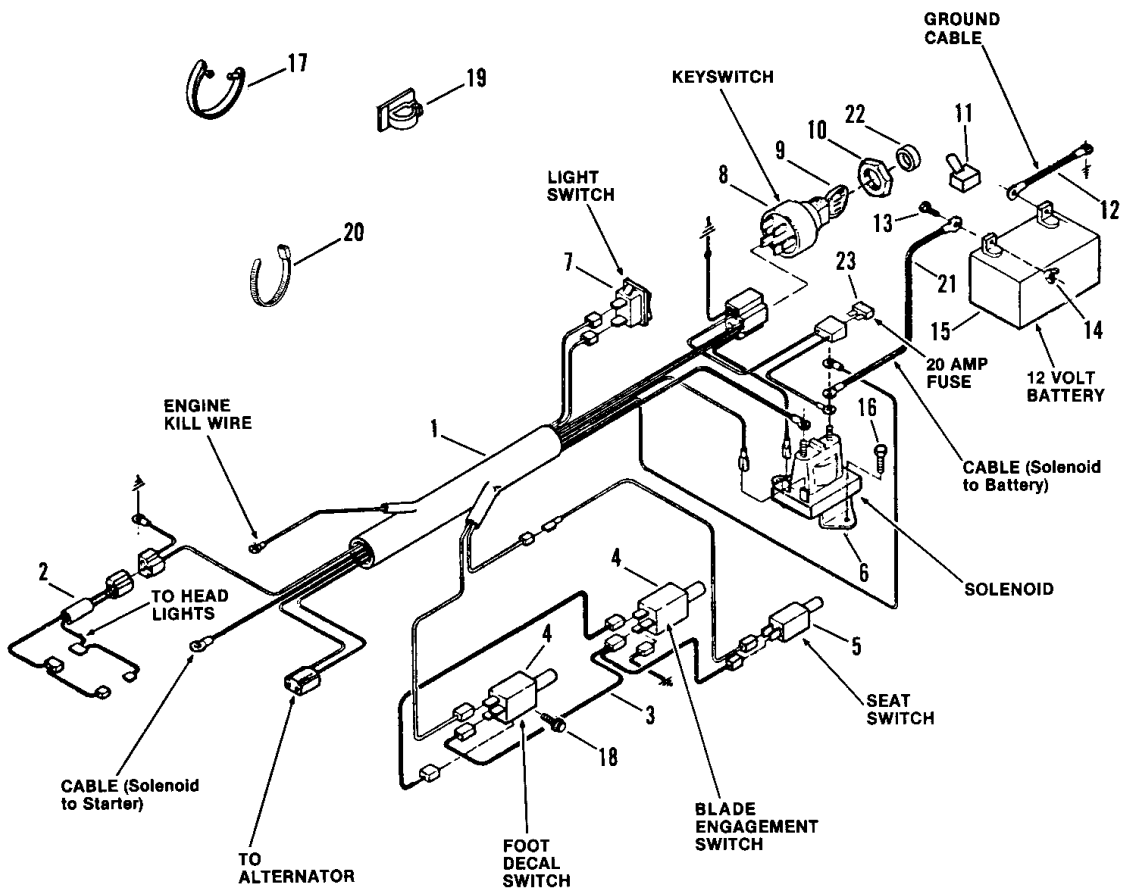


ITEM	PART NO.	DESCRIPTION
1	4-9763	ARM, Implement Lift Lever
2	3-2435	ROD, Lift Lever
3	1-3948	GRIP, Lift Lever
4	1-4361	CAP, Lift Release
5	4-9761	ARM, Rear Lift (41" Deck Only)
6	4-7967	ARM, Rear Lift (33" Deck Only)
7	1-5067	PIN, Hair, 3/32x1-1/2" (6)
8	1-0690	WASHER, Shim (2)
9	9-0122	WASHER, 3/8 SAE Flat (4)
10	3-2789	SPACER (2)(33" Deck Only)
11	3-2698	BRACKET, Arm (2)
12	9-0361	SCREW, 5/16-18x5/8" (4)
13	2-3171	LIFT-ROD
14	1-5020	RING, Retaining

ITEM	PART NO.	DESCRIPTION
15	1-4354	WASHER, Lift Lever (2)
16	2-3197	BEARING, Lift Lever (2)
17	1-5464	STUD
18	4-7933	PIVOT ASSM'Y., Lift Lever
19	9-0390	WASHER, 3/8 Int. Tooth Lock
20	9-0155	NUT, 3/8-24 Hex
21	1-2407	PIN, Clevis, 5/16x1-11/16"
22	9-0613	LOCKNUT, 3/8-16 Hex Flange (2)
23	3-8376	QUADRANT, Lift Lever
24	9-0612	BOLT, 3/8-16 Hex Flange Lock (2)
25	1-4432	SPRING, Lift Lever
26	1-5019	PLUG, Lift Lever
27	1-4437	GROOVE-PIN, 1/4x2-1/4"

Traktor Bezeichnung: LT12D 33 & LT12D 41 Series 0 Tractor Modell: Jahr:

ELECTRICAL SYSTEM

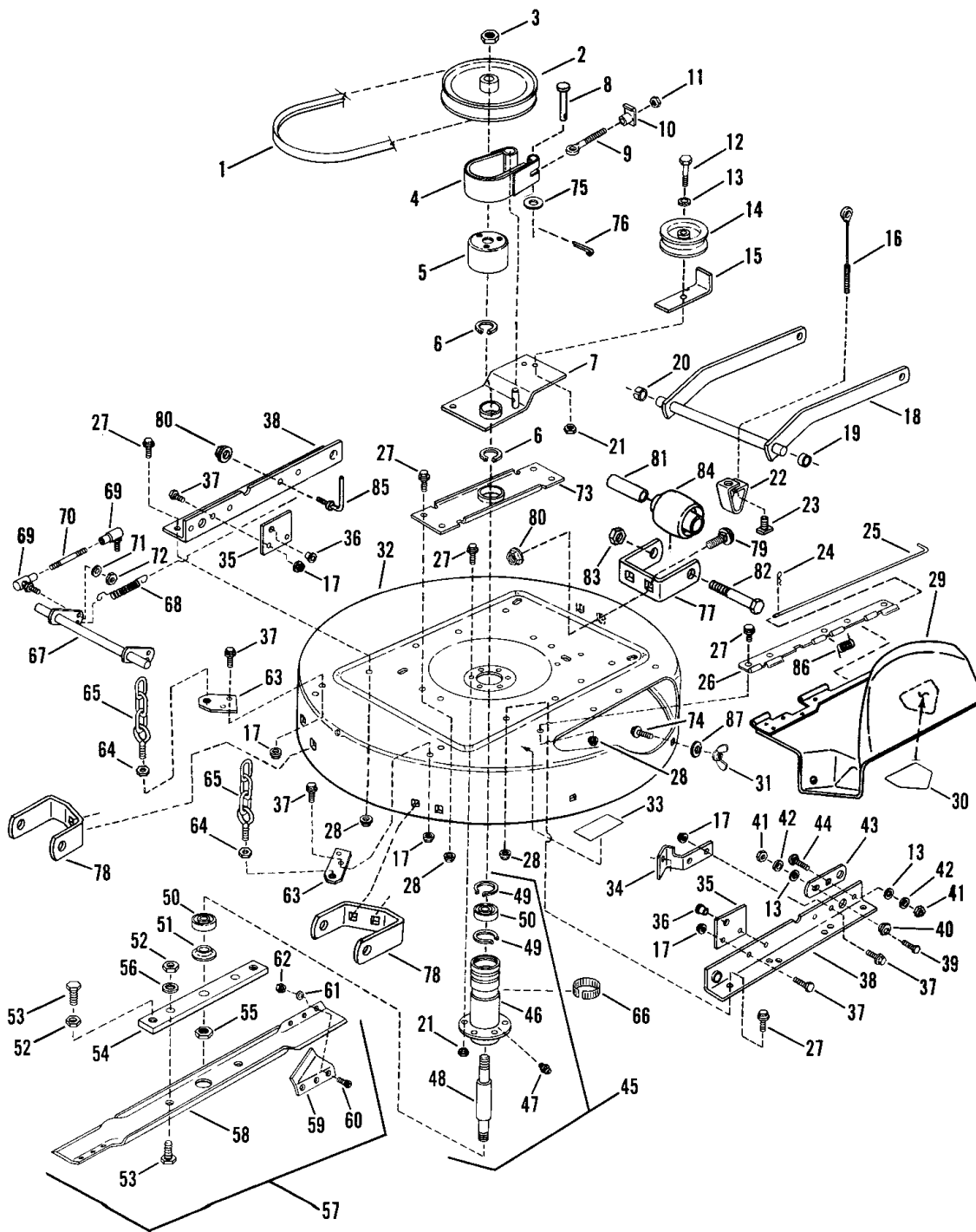


ITEM	PART NO.	DESCRIPTION
1	1-7025	HARNESS, Wiring
2	1-9041	HARNESS, Head Light Wiring
3	1-9043	HARNESS, Interlock
4	2-3355	SWITCH, Clutch & PTO (2)
5	2-3354	SWITCH, Seat
6	1-8604	SOLENOID
7	2-3187	SWITCH, Light
8	1-8562	SWITCH, Key (Includes 2 item 9)
9	2-3504	KEY (2)
10	2-3505	NUT, 5/8-32 Hex
11	1-2444	COVER, Positive Terminal
12	1-4475	CABLE, Negative
13	9-0074	BOLT, 1/4-20x3/4 Carriage (2)
14	9-0311	WING NUT, 1/4-20 (2)

ITEM	PART NO.	DESCRIPTION
15	1-9044	BATTERY, 12 Volt
16	9-0539	SCREW, 1/4-20x1/2 Self-Tapping
17	1-4451	TIE, Wire (2)
18	9-0307	SCREW, #10-24x1/2 Self-Tapping
19	1-2691	CLIP
20	1-2080	TIE, Cable (2)
21	1-4476	CABLE, Positive
22	2-3506	BEZEL
23	2-3653	FUSE, 20 Amp

Traktor Bezeichnung: LT12D 33 & LT12D 41 Series 0 Tractor Modell: Jahr:

33" CUTTING DECK, BELTS, BRAKES



MANUAL NO. 06414

24

LT12D

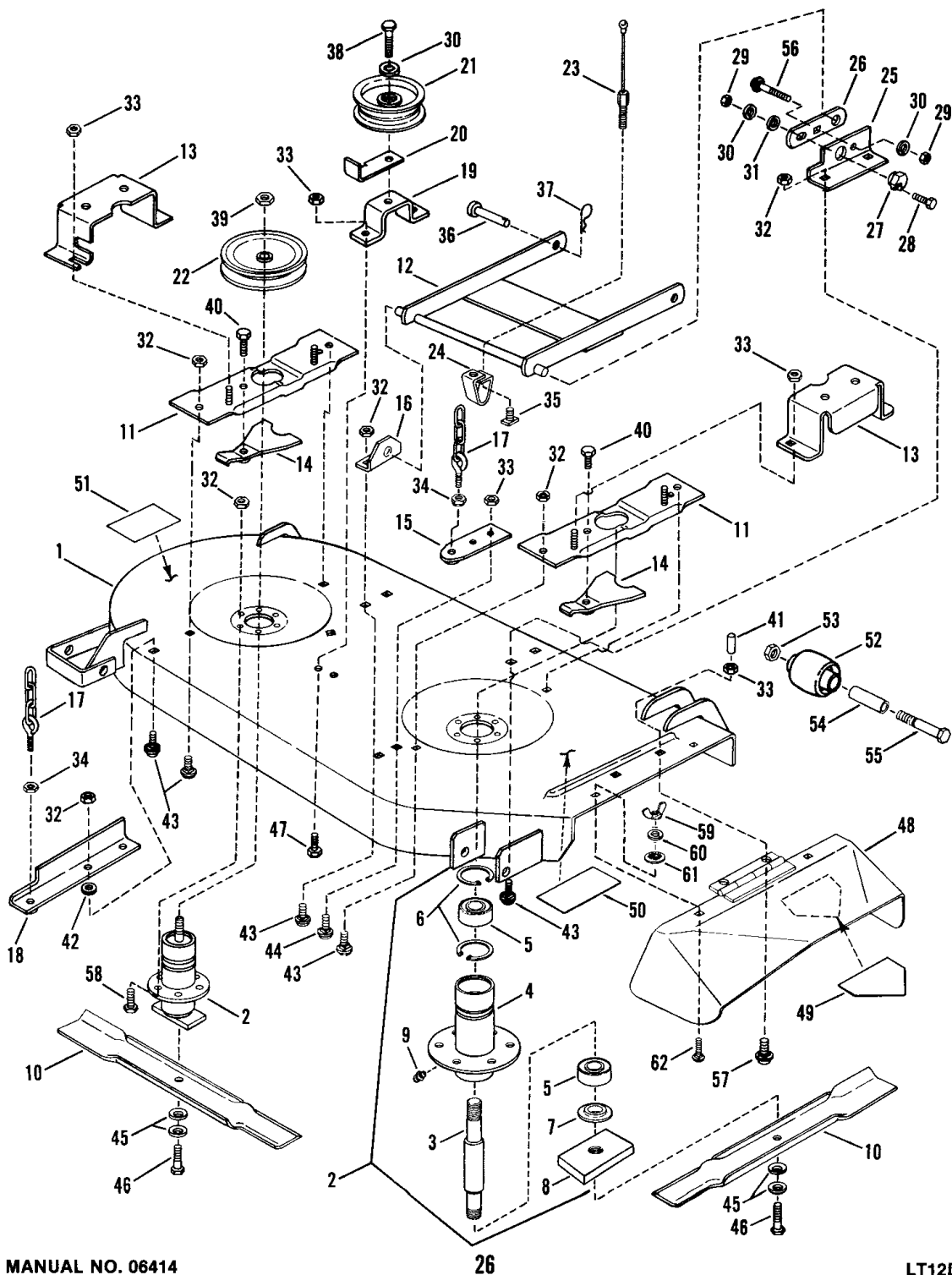
Traktor Bezeichnung: LT12D 33 & LT12D 41 Series 0 Tractor Modell: Jahr:

33" CUTTING DECK, BELTS, BRAKES

ITEM	PART NO.	DESCRIPTION	ITEM	PART NO.	DESCRIPTION
1	2-3710	BELT, 33" Drive	45	5-9784	ASSEMBLY, Spindle (Includes items 46 thru 55)
2	1-8581	PULLEY, 8" O.D.	46	5-1918	HOUSING, Spindle (Includes item 47)
3	1-0027	NUT, 3/4-16 Hex Jam	47	1-0817	FITTING, Lube
4	5-7307	BAND, Brake	48	2-7711	SPINDLE, 33" Mower Deck
5	3-2169	DRUM, Brake	49	1-2491	RING, Retaining (2)
6	1-0740	RING, Retaining (2)	50	1-3313	BEARING, Spindle (2)
7	4-7961	ARM, Idler	51	1-4407	WASHER, Spindle
8	1-4304	PIN, 1/4x1-1/4" Clevis	52	9-0559	NUT, 1/2-20 Hex Jam (4)(2 in assembly)
9	1-4302	BOLT, 1/4-20 Eye	53	9-0392	SCREW, 1/2-20 Hex Head Cap (4)(2 in assembly)
10	1-4303	NUT, 1/4-20 Tee	54	3-7751	HOLDER, Blade
11	9-0063	NUT, 1/4-20 Hex	55	9-0356	NUT, 5/8-18 Hex Lock
12	9-0164	SCREW, 3/8-24x1-1/2" Hex Head Cap	56	9-0509	WASHER, 1/2 Internal Tooth Lock (2)
13	9-0122	WASHER, 3/8 SAE (3)	57	5-7482	ASSEMBLY, Blade & Air Lift (Includes items 58 thru 62)
14	1-8574	PULLEY, Idler, 4.12 O.D.	58	1-9523	BLADE, 33" Mower Deck
15	3-2368	GUIDE, Belt	59	3-7723	AIR-LIFT (2)
16	2-3180	CABLE, Front Lift	60	9-0228	SCREW, 5/16-24x11/16" Machine (6)
17	9-0585	LOCKNUT, 5/16-18 Hex Flange (10)	61	9-0391	WASHER, 5/16-24 Internal Tooth Lock (6)
18	4-7959	LIFT, Front Arm	62	9-0223	NUT, 5/16-24 Hex (6)
19	1-2067	RING, Red (Right Side)	63	5-1883	ASSEMBLY, Bracket, Rear Lift (2)
20	1-0996	RING, White (Left Side)	64	9-0665	NUT, 3/8-16 Hex Jam (2)
21	9-0289	LOCKNUT, 3/8-24 Hex (7)	65	5-1749	ASSEMBLY, Bolt-Chain (2)
22	3-8043	BRACKET, Front Lift Hanger	66	1-2670	RING, Tolerance
23	9-0388	T-NUT, 5/16-18	67	4-7960	CROSS-SHAFT
24	1-5067	PIN, Hair	68	1-6153	SPRING
25	3-1914	PIN, Hinge	69	1-5753	BALL-JOINT (2)
26	3-9586	HINGE, Deflector	70	2-3687	LINK, Ball Joint
27	9-0612	BOLT, 3/8-16x3/4" Hex Flange Lock (14)	71	9-0053	WASHER, 1/4 Internal Tooth Lock (2)
28	9-0613	LOCKNUT, 3/8-16 Hex Flange (14)	72	9-0095	NUT, 1/4-28 Hex (2)
29	5-1978	ASSEMBLY, Deflector (Includes item 30)	73	3-8018	BRACE, Spindle
30	1-3010	DECAL, Danger (Cut Finger)	74	9-0001	BOLT, 5/16-18x3/4" Short Neck Carriage (2)
31	9-0492	WING-NUT, 5/16-18 (2)	75	9-0055	WASHER
32	5-1917	DECK, Cutting, 33"	76	9-0037	COTTER-PIN, 3/32x3/4"
33	1-4416	DECAL, Caution (Deflector-Adapter)	77	3-8451	BRACKET, Gage Wheel (Front)
34	3-8455	ANCHOR, Brake	78	3-8450	BRACKET, Gage Wheel (Rear)(2)
35	3-2803	BRACKET, Cross-Shaft (2)	79	9-0004	BOLT, 5/16-18x1/2" Short Neck Carriage (6)
36	1-1016	BEARING, Cross-Shaft Bracket (2)	80	9-0585	NUT, 5/16-18 Hex Flange Lock (7)
37	9-0721	BOLT, 5/16-18x1/2" Hex Flange Lock (10)	81	1-5272	SPACER (3)
38	3-8453	RAIL, Side (2)	82	9-0859	SCREW, 3/8-24x3-3/4" H.H.C. (3)
39	9-0563	SCREW, 3/8-16x1" Hex Head Cap	83	9-0289	LOCKNUT, 3/8-24 Hex (3)
40	1-5012	ECCENTRIC, Leveling	84	1-9190	WHEEL, Gage (3)
41	9-0130	NUT, 3/8-16 Hex (2)	85	2-3874	GUIDE, Belt
42	9-0118	LOCKWASHER, 3/8 Split (2)	86	1-2303	SPRING, Hinge
43	3-2432	LINK, Adjustment	87	9-0188	WASHER, 5/16 Flat (2)
44	9-0850	BOLT, 3/8-16x3/4" Carriage			

Traktor Bezeichnung: LT12D 33 & LT12D 41 Series 0 Tractor Modell: Jahr:

41" CUTTING DECK (BELT, BLADE BRAKE SHOWN ON PAGE 28)



MANUAL NO. 06414

26

LT12D

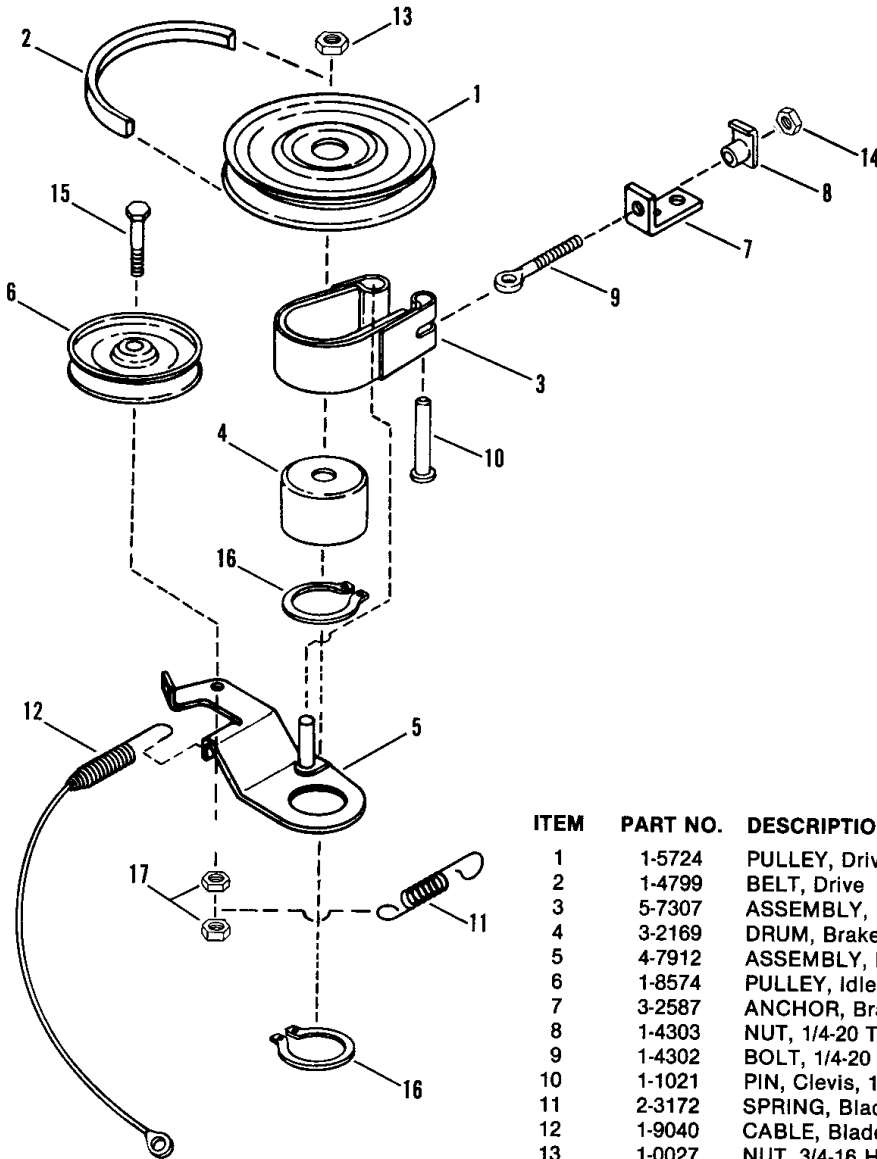
Traktor Bezeichnung: LT12D 33 & LT12D 41 Series 0 Tractor Modell: Jahr:

41" CUTTING DECK (BELT, BLADE BRAKE SHOWN ON PAGE 28)

ITEM	PART NO.	DESCRIPTION
1	5-1916	DECK, Mower 41" (Includes items 50 & 51)
2	5-1914	ASSEMBLY, Spindle (Includes items 3 thru 9)(2)
3	2-7668	SPINDLE
4	5-1918	HOUSING, Spindle (Includes item 9)
5	1-3313	BEARING, Spindle (2)
6	1-2491	RING, Retaining (2)
7	1-4407	WASHER, Spindle
8	3-2294	HOLDER, Blade
9	1-0817	FITTING, Lube
10	1-9795	BLADE, 21" Cutter (2)
11	5-1769	ASSEMBLY, Rear Support (2)
12	4-9762	ASSEMBLY, Front Hanger
13	3-8389	GUARD, Pulley
14	5-1747	ASSEMBLY, Spindle Lock (2)
15	5-1750	ASSEMBLY, Chain Support
16	3-2297	BRACKET, Front Left Hanger
17	5-1749	ASSEMBLY, Bolt Chain (2)
18	5-7535	ASSEMBLY, Rear Support
19	5-1748	BRACKET, Idler Mount
20	3-2368	GUIDE, Belt
21	1-8574	PULLEY, Idler (2)
22	1-5724	PULLEY, Spindle (2)
23	2-3180	CABLE, Front Lift
24	3-8043	BRACKET, Front Lift Arm Hanger
25	3-8382	BRACKET, Front Right
26	3-2432	LINK, Adjustment
27	1-5012	RING, Adjustment
28	9-0563	SCREW, 3/8-16x1" Hex Head Cap
29	9-0130	NUT, 3/8-16 Hex (2)
30	9-0118	WASHER, 3/8 Split Lock (2)
31	9-0122	WASHER, 3/8 Flat
32	9-0613	NUT, 3/8-16 Hex Flange Lock (22)
33	9-0585	NUT, 5/16-18 Hex Flange Lock (9)
34	9-0665	NUT, 3/8-16 Hex Jam (2)
35	9-0388	T-NUT, 5/16-18
36	1-2951	PIN, 1/2x1-3/8" Clevis
37	1-3844	HAIRPIN, Cotter
38	9-0655	SCREW, 3/8-16x1-1/2" Hex Cap
39	1-0027	NUT, 3/4-16 Hex Jam (2)
40	9-0582	BOLT, 3/8-16x1" Hex Flange Lock (2)
41	2-3606	CAP, Vinyl (2)
42	9-0600	WASHER, 7/16 Flat
43	9-0850	BOLT, 3/8-16x3/4" Carriage (9)
44	9-0788	BOLT, 5/16-18x3/4" Carriage (2)
45	1-2063	WASHER, 13/32x1-13/32" Dia. Cone (4)
46	9-0824	SCREW, 3/8-24x1-1/4" Hex Cap (2)
47	9-0595	BOLT, 5/16-18x3/4" Hex Flange Lock
48	5-1401	DEFLECTOR, Side Chute (Includes item 49)
49	1-3010	DECAL, Danger
50	1-4852	DECAL, Caution (Deflector in Place)
51	1-4853	DECAL, Caution (Rotating Blades)
52	1-9190	WHEEL, Gage (4)
53	9-0289	LOCKNUT, 3/8-24 Hex (4)
54	1-5272	SPACER (4)
55	9-0859	SCREW, 3/8-24x3-3/4" Hex Hd. Cap (4)
56	9-0850	BOLT, 3/8-16x3/4" Short Neck Carriage
57	9-0383	BOLT, 5/16-18x1" Short Neck Carriage (2)
58	9-0612	BOLT, 3/8-16x3/4" Hex Flange Lock (12)
59	9-0375	WING-NUT, 5/16-18 (2)
60	9-0187	WASHER, 5/16 Split Lock (2)
61	1-1791	RETAINER, 5/16 Bolt
62	9-0799	BOLT, 5/16-18x5/8" Carriage (2)

Traktor Bezeichnung: LT12D 33 & LT12D 41 Series 0 Tractor Modell: Jahr:

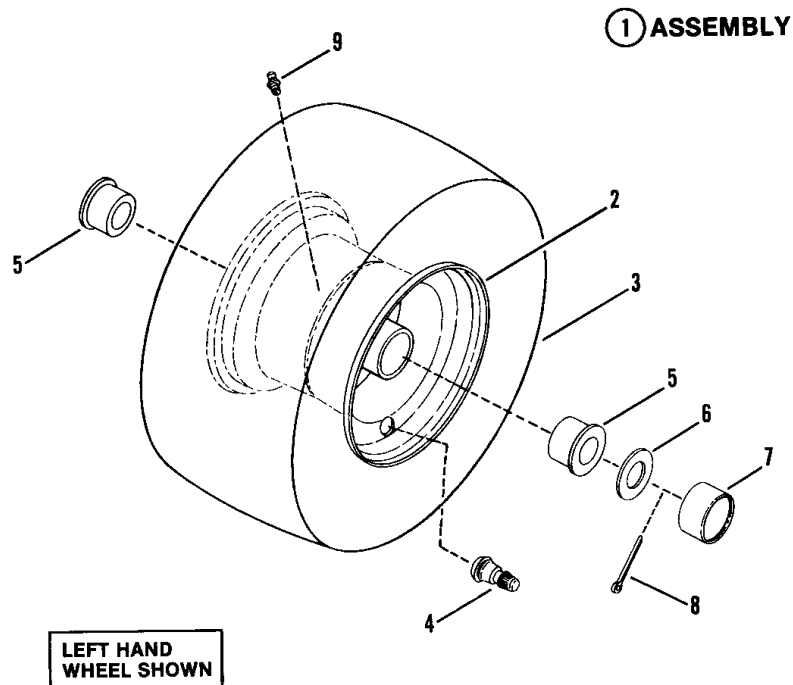
BELT, BLADE BRAKE, 41" DECK



ITEM	PART NO.	DESCRIPTION
1	1-5724	PULLEY, Drive
2	1-4799	BELT, Drive
3	5-7307	ASSEMBLY, Brake Band
4	3-2169	DRUM, Brake
5	4-7912	ASSEMBLY, Brake Arm
6	1-8574	PULLEY, Idler
7	3-2587	ANCHOR, Brake
8	1-4303	NUT, 1/4-20 Tec.
9	1-4302	BOLT, 1/4-20 Eye
10	1-1021	PIN, Clevis, 1/4x1-1/4"
11	2-3172	SPRING, Blade Brake
12	1-9040	CABLE, Blade
13	1-0027	NUT, 3/4-16 Hex Jam
14	9-0063	NUT, 1/4-20 Hex
15	9-0167	SCREW, 3/8-24x2" Hex Head Cap (Gr. 5)
16	1-0740	RING, Retainer (2)
17	9-0289	NUT, 3/8-24 Hex Lock (2)

Traktor Bezeichnung: LT12D 33 & LT12D 41 Series 0 Tractor Modell: Jahr:

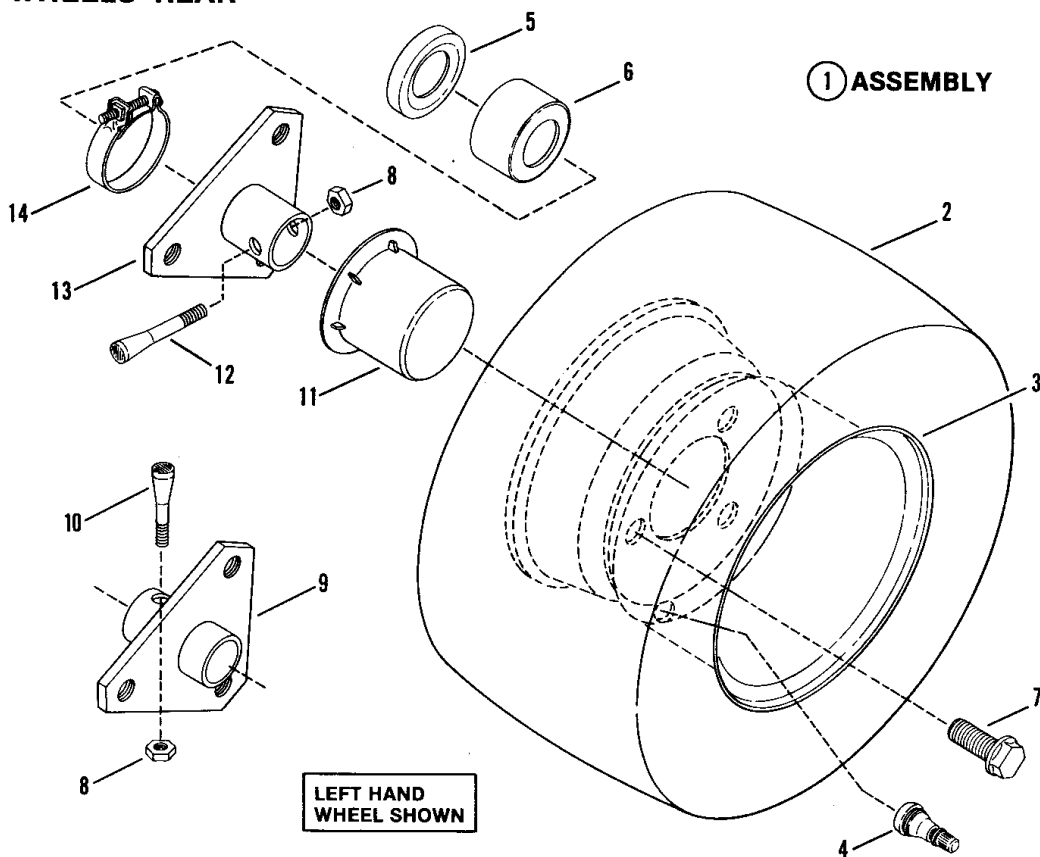
WHEELS - FRONT



ITEM	PART NO.	DESCRIPTION
1	5-1372	ASSEMBLY, Front tire & Rim (Includes items 2,3,&4)
2	1-9718	RIM, 6x4.50
3	1-4350	TIRE, 15x6.00x6
4	1-2234	VALVE, Air
5	1-4483	BEARING, Wheel (2)
6	3-2027	WASHER
7	1-1022	COVER, Dust
8	9-0364	COTTER-PIN
9	1-3876	FITTING, Lube

Traktor Bezeichnung: LT12D 33 & LT12D 41 Series 0 Tractor Modell: Jahr:

WHEELS - REAR



ITEM	PART NO.	DESCRIPTION
1	5-1754	ASSEMBLY, Rear Tire & Rim (41" Deck)(Includes items 2,3,& 4)
-	5-1831	ASSEMBLY, Rear Tire & Rim (33" Deck)(Includes items 2,3,& 4)
2	2-3196	TIRE, 18-8.50x8 (2)(Used with 41" Deck)
-	1-6163	TIRE, 18-6.50x8 (2)(Used with 33" Deck)
3	1-9045	RIM, 8x7 (2)(Used with 41" Deck)
-	1-7071	RIM, 8x5.375 (2)(Used with 33" Deck)
4	1-2234	VALVE, Air (Snap-in)(2)
5	1-1817	SEAL, Oil (Left Hand)
6	3-1732	CAP, Seal, (Left Hand)
7	9-0367	BOLT, 1/2-20x3/4" Lug (6)
8	1-1201	NUT, 5/16-24, Lock (2)
9	4-0433	HUB, Rear Wheel, Right Hand
10	1-1013	BOLT, 5/16-24x2", Tapered, Right Hand
11	1-1052	HUB-CAP (2)
12	1-1035	BOLT, 5/16-24x1-5/8", Tapered, Left Hand
13	4-0434	HUB, Rear Wheel, Left Hand
14	1-1037	CLAMP

SNAPPER POWER EQUIPMENT
 McDonough, GA • 30253

