

Einstufige-Schneefräse Bezeichnung: 3200, 3201 Series Modell: Jahr:

Parts Manual  
for

# SNAPPER®

## 3200, 3201 SERIES



## SINGLE STAGE SNOW THROWERS

IT IS THE POLICY OF SNAPPER POWER EQUIPMENT TO IMPROVE ITS PRODUCTS WHENEVER IT IS POSSIBLE AND PRACTICAL TO DO SO. WE RESERVE THE RIGHT TO MAKE CHANGES OR ADD IMPROVEMENTS AT ANY TIME WITHOUT INCURRING ANY OBLIGATION TO MAKE SUCH CHANGES ON PRODUCTS MANUFACTURED PREVIOUSLY.

**SNAPPER POWER EQUIPMENT**

McDonough, GA • 30253



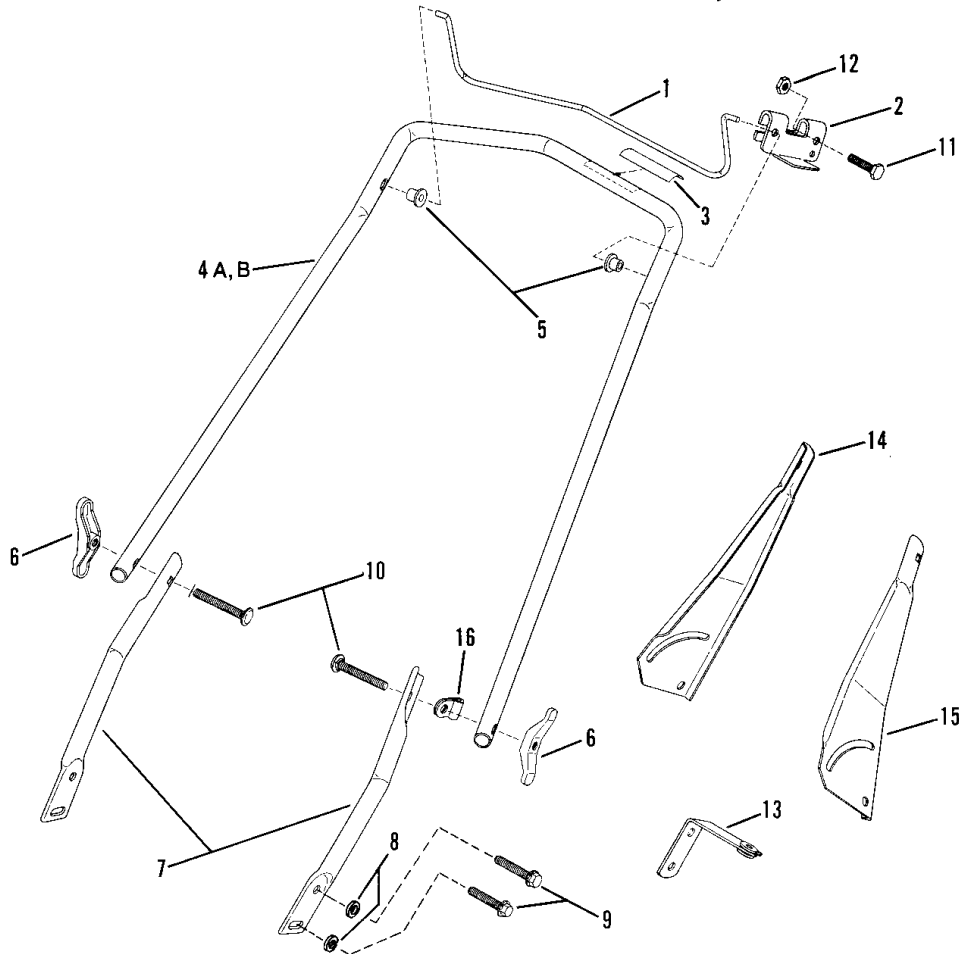
MANUAL 06024, Rev. 1 (3/86)

Einstufige-Schneefräse Bezeichnung: 3200, 3201 Series Modell: Jahr:

**NOTE: The series number is the last numeral in the model number.**

Einstufige-Schneefräuse Bezeichnung: 3200, 3201 Series Modell: Jahr:

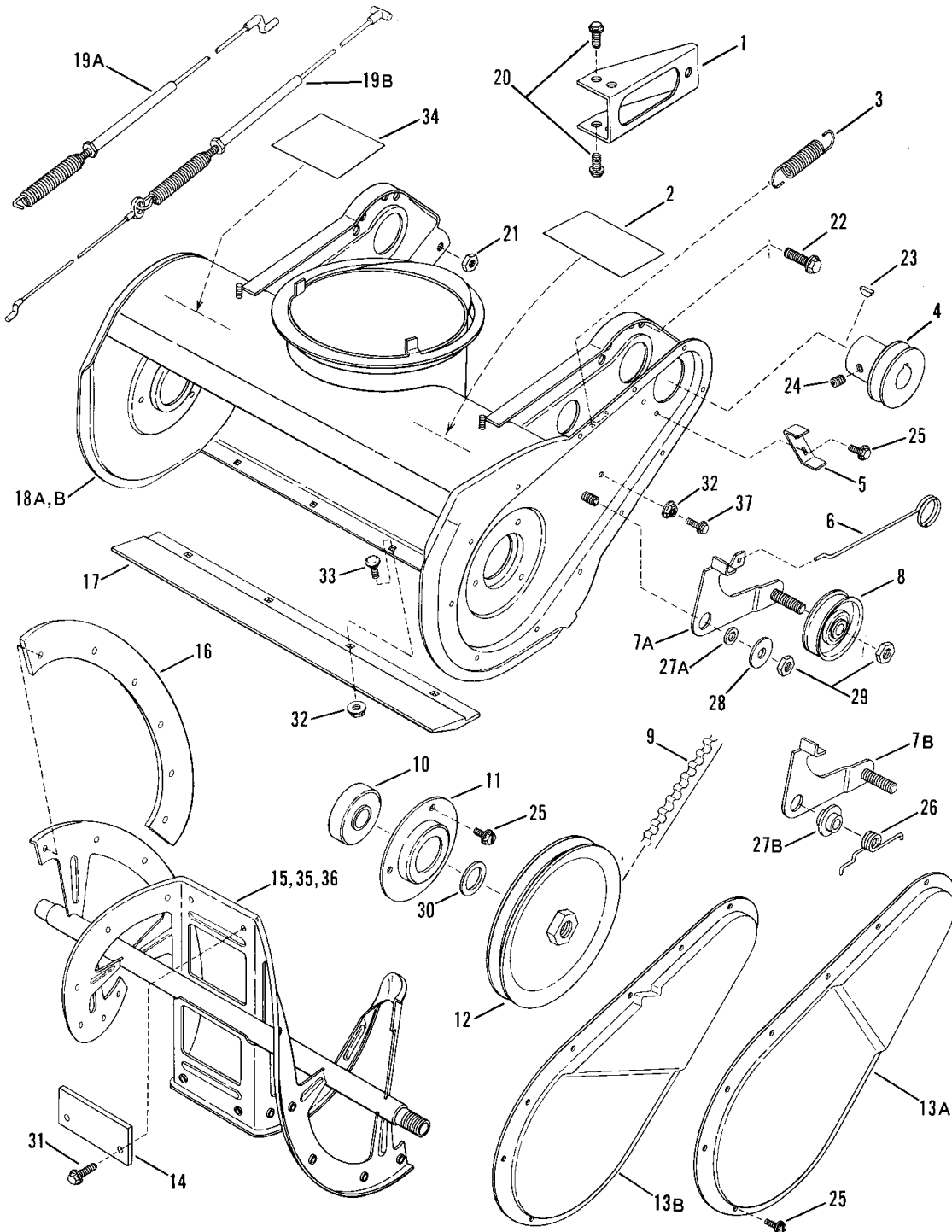
HANDLES, BLADE CONTROL



ITEM	PART NO.	DESCRIPTION
1	1-9714	CONTROL, Auger
2	3-2350	CLIP
3	1-4653	DECAL, Auger Control
4A	3-6097	HANDLE, Upper(All Models Prior to 1986)
4B	3-6164	HANDLE, Upper (1986)
5	1-4343	BUSHING (2)
6	1-4207	WING-NUT (2)
7	3-8105	HANDLE, Lower (2)(All Models Prior to 1986)
8	9-0055	WASHER, 1/4 SAE (4)(All Models Prior to 1986)
9	9-0896	SCREW, 1/4-20x1 3/8" Self-Tapping (4)
10	9-0015	BOLT, 1/4-20x1 3/4" Carriage
11	9-0071	SCREW, 1/4-20x1/2" Hex Cap
12	9-0372	NUT, 1/4-20 Hex Center Lock
13	5-1560	BRACKET & BUSHING ASSM'Y. (3201)
14	3-8236	HANDLE, Lower, R.H.(1986)
15	3-8237	HANDLE, Lower, L.H. (1986)
16	1-5119	CLAMP, Cable (3201)

Einstufige-Schneefräuse Bezeichnung: 3200, 3201 Series Modell: Jahr:

**COLLECTOR HOUSING, BELTS, PULLEYS, AUGER**



MANUAL 06024, Rev. 1 (3/86)

**SINGLE STAGE SNOW THROWERS**

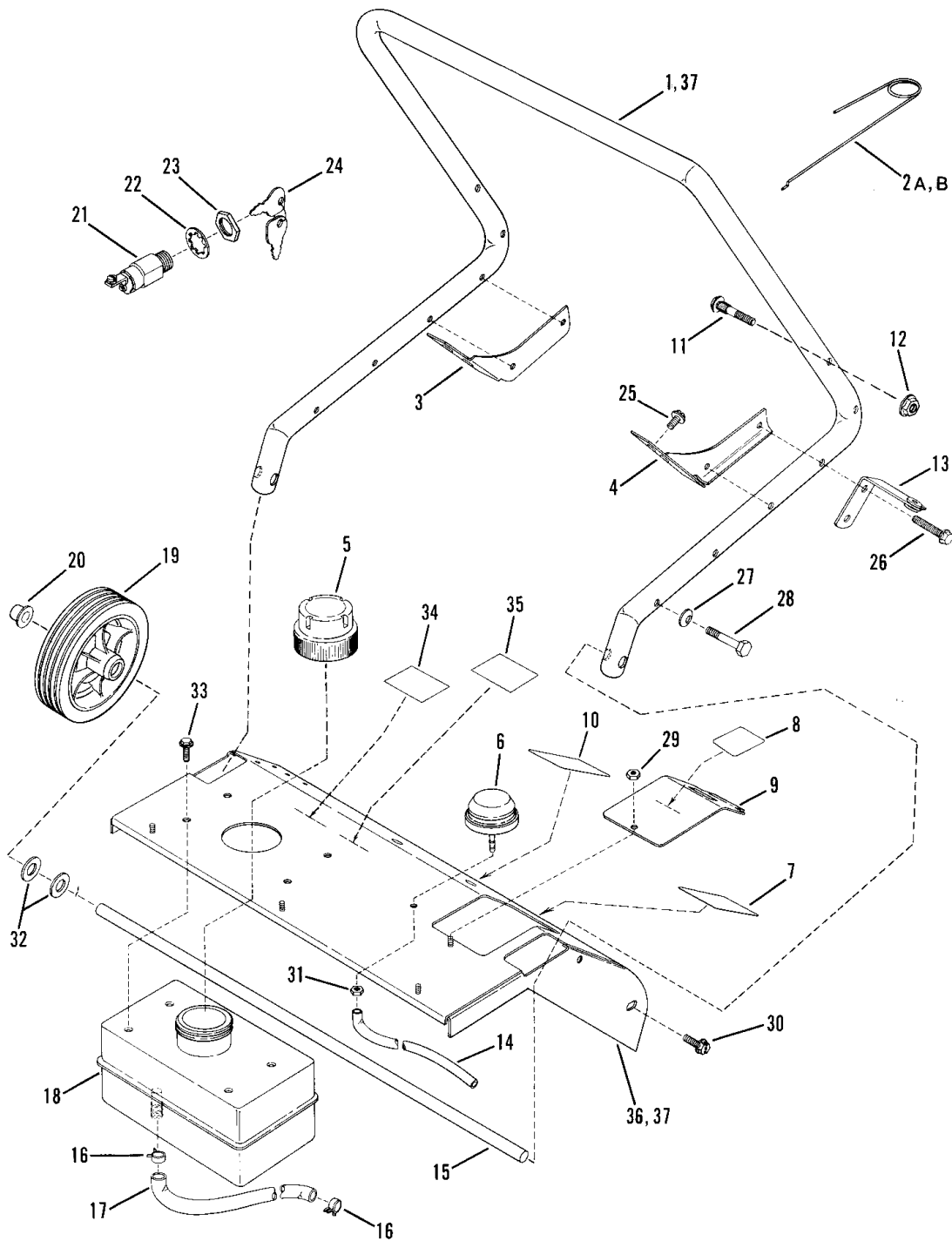
Einstufige-Schneefr se Bezeichnung: 3200, 3201 Series Modell: Jahr:

**COLLECTOR HOUSING, BELTS, PULLEYS, AUGER**

ITEM	PART NO.	DESCRIPTION
1	3-8107	BRACE, Engine
2	1-4941	DECAL, Collector (Replaces 1-3930)
3	1-4657	SPRING, Brake (3200)
4	1-4562	PULLEY, Engine
5	3-2345	GUIDE, Belt
6	1-4644	LINKAGE, Idler (3200)
7A	5-1439	IDLER ARM ASSEMBLY (3200)
7B	5-1506	IDLER ARM ASSEMBLY (3201)
8	1-4722	PULLEY, Idler Arm
9	1-4637	BELT, Auger (Includes Units with B&S & TEC. Engine)
10	1-4608	BEARING, Auger (2)
11	3-2346	RETAINER, Bearing
12	1-8635	PULLEY
13A	1-9735	COVER, Belt (3200)
13B	1-9753	COVER, Belt (3201)
14	1-4612	FLIGHTING SHOE (2)
15	4-9953	AUGER
16	1-8638	FLIGHTING SHOE (4)
17	1-8764	BLADE, Scraper
18A	4-9952	BLOWER ASSEMBLY (3200)
18B	4-9722	BLOWER ASSEMBLY (3201)
19A	1-8650	CABLE, Clutch (3200)
19B	1-8796	CABLE, Clutch (3201) (Replaces 1-4925 & 1-8688)
20	9-0302	SCREW, 1/4-20x3/8 Hex Washer Head, Self-Tapping (2)
21	9-0372	NUT, 1/4-20 Hex Lock (4)
22	9-0606	BOLT, 5/16x5/8 Hex Head Flange-Lock (4)
23	1-0008	KEY, #6 Woodruff
24	9-0471	SET SCREW, 1/4-20 (2)
25	9-0822	SCREW, #10x1/4 Self-Tapping (20)
26	1-4920	SPRING, Idler Brake (3201 series only)
27A	1-4613	SPACER, Bearing (3200)
27B	1-4919	SPACER, Bearing (3201)
28	9-0188	WASHER, 5/16 SAE (Replaces 1-3848)
29	9-0184	NUT, 5/16-18 Hex Lock
30	1-0935	WASHER
31	1-4654	SCREW, #10-24x5/8 Hex Head, Self-Tapping (28)
32	9-0623	NUT, #10-24, Hex Lock (5)
33	9-0530	BOLT, #10Cx1/2 Carriage (4)
34	1-4739	DECAL, Instruction
35	6-0631	RUBBER BLADE REPLACEMENT KIT (Includes 14 & 16)
36	5-1440	AUGER ASSM'Y. (Includes 14,15,16, & 31)
37	9-0363	SCREW, #10-24x5/8 Self-Tap (3201)

Einstufige-Schneefräuse Bezeichnung: 3200, 3201 Series Modell: Jahr:

**CONTROL PANEL, LOWER HANDLE**



MANUAL 06024, Rev. 1 (3/86)

SINGLE STAGE SNOW THROWERS

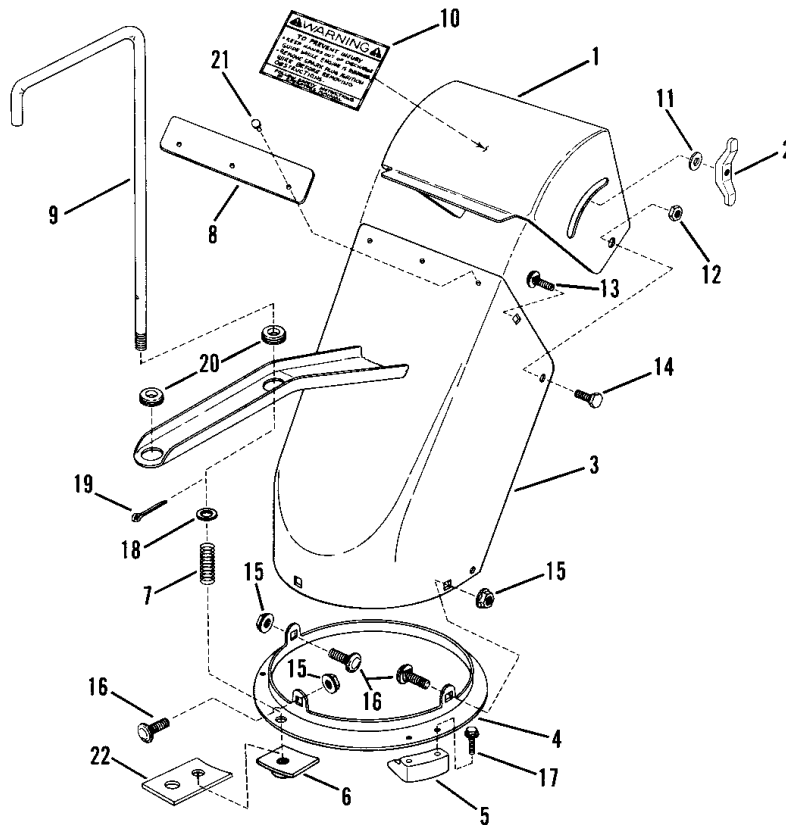
Einstufige-Schneefräse Bezeichnung: 3200, 3201 Series Modell: Jahr:

**CONTROL PANEL, LOWER HANDLE**

ITEM	PART NO.	DESCRIPTION
1	3-6165	HANDLE, Lower (Replaces 3-6094) (For Units Prior to 1986, Use Item 37)
2A	1-4647	CONTROL, Choke (Briggs & Stratton)
2B	1-4918	CONTROL, Choke (Tecumseh) (Replaces 1-4648)
3	3-8109	HANDLE, Brace, R.H.
4	3-8110	HANDLE, Brace, L.H.
5	1-4636	CAP, Fuel Tank
6	1-4638	PRIMER, Fuel (Tecumseh)
-	1-8656	PRIMER, Fuel (Briggs & Stratton)
7	1-4635	DECAL, Choke
8	1-4640	DECAL, Spark Plug Access
9	3-2353	COVER, Access Hole
10	1-4641	DECAL, Controls
11	9-0928	BOLT, 1/4-20x1 3/8", Rnd. Hd., Ribbed Neck (4)
12	9-0583	NUT, 1/4-20 Hex Flange Lock (4)
13	5-1560	BRACKET & BUSHING ASSM'Y.
14	1-4639	HOSE, Primer
15	3-2366	AXLE
16	1-222	CLAMP, Fuel Line (2)
17	3-2365	LINE, Fuel
18	1-9736	TANK, Fuel
19	1-8640	WHEEL (2)
20	1-4667	PUSH-NUT (2)
21	1-5211	SWITCH, Ignition (Replaces 1-1853)(Includes Items 22 & 23)
22	9-0880	LOCKWASHER, 5/8 Internal Tooth
23	1-2685	NUT, 5/8-22
24	1-1138	KEY (2)
25	9-0822	SCREW, #10x1/4" Self-Tapping (4)
26	9-0896	SCREW, 1/4-20x1 3/8" Self-Tapping (4)
27	1-4645	WASHER, Curved (4)
28	9-0825	BOLT, 1/4-20x1 1/4", Grade 5 (4)
29	9-0623	NUT, #10-24 Hex Lock
30	9-0856	SCREW, Drill, #10-24x1/2", H.W.H. (4)
31	9-0372	NUT, 1/4-20 Hex
32	9-0122	WASHER, 3/8 SAE (4)
33	9-0855	SCREW, 1/4-15x3/4" Hex Head Cap (4)
34	1-8652	DECAL, Fuel Mix Chart (Tecumseh)
-	1-4764	DECAL, Fuel Mix Chart (Briggs & Stratton)
35	1-8653	DECAL, Warning, Fuel Mix (Tecumseh)
36	4-9963	HANDLE/PANEL WELDMENT (3201 Series) (For Units Prior to 1986, Use Item 37)
37	5-1613	LOWER HANDLE/PANEL ASSM'Y.(Includes Items 1, 11, & 36)

Einstufige-Schneefräuse Bezeichnung: 3200, 3201 Series Modell: Jahr:

**DISCHARGE PARTS- MODEL SERIES 0**



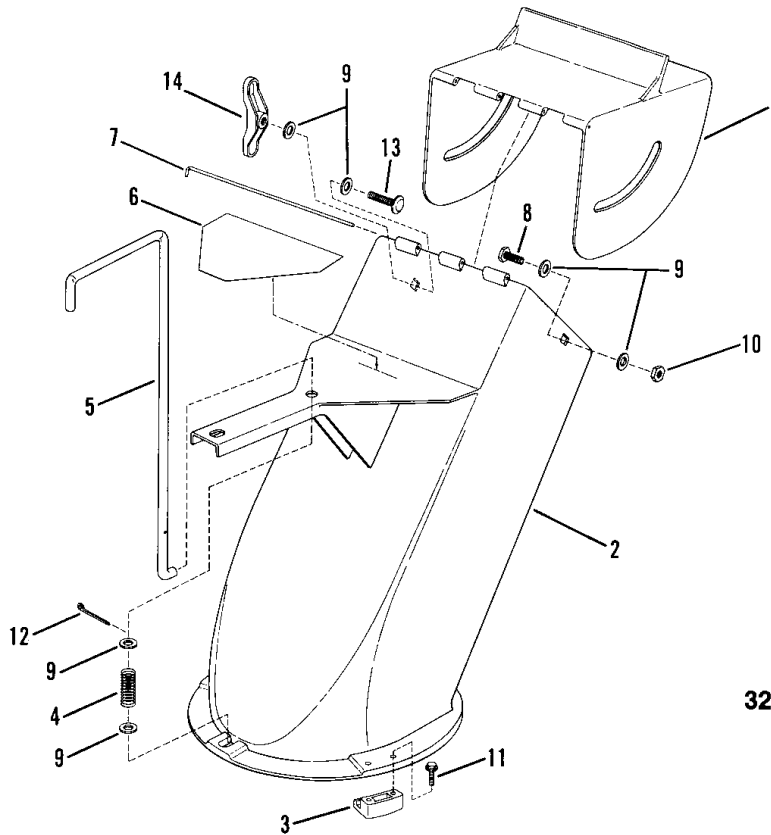
3200 SERIES

ITEM	PART NO.	DESCRIPTION
1	3-7966	DEFLECTOR, Discharge
2	1-4207	WING-NUT, 1/4-20
3	4-7842	CHUTE, Discharge
4	3-6096	RING, Chute
5	1-1938	RETAINER (Chute Ring to Housing) (3)
6	5-1445	BRAKE SHOE
7	1-2093	SPRING
8	1-4316	WIPER
9	1-8636	ROD, Release
10	1-3929	DECAL, Deflector Warning
11	9-0055	WASHER, 1/4 SAE
12	9-0184	LOCKNUT, 5/16 C (2)
13	9-0074	BOLT, 1/4Cx3/4" Carriage
14	9-0203	SCREW, 5/16Cx1/2" Hex Head Cap (2)
15	1-2625	NUT, Flange (3)
16	9-0731	BOLT, 5/16-18x1/2" Grade 5 Carriage (3)
17	9-0363	SCREW, 10-24x5/8" Hex Head Cap (6)
18	9-0188	WASHER, 5/16 SAE Flat
19	9-0360	COTTER PIN, 1/16x3/4"
20	1-4603	GROMMET, Rubber (2)
21	9-0814	RIVET (3)
22	1-4773	BRAKE PAD

MANUAL 06024, Rev. 1 (3/86)

SINGLE STAGE SNOW THROWERS

MODEL SERIES 1 - DISCHARGE PARTS

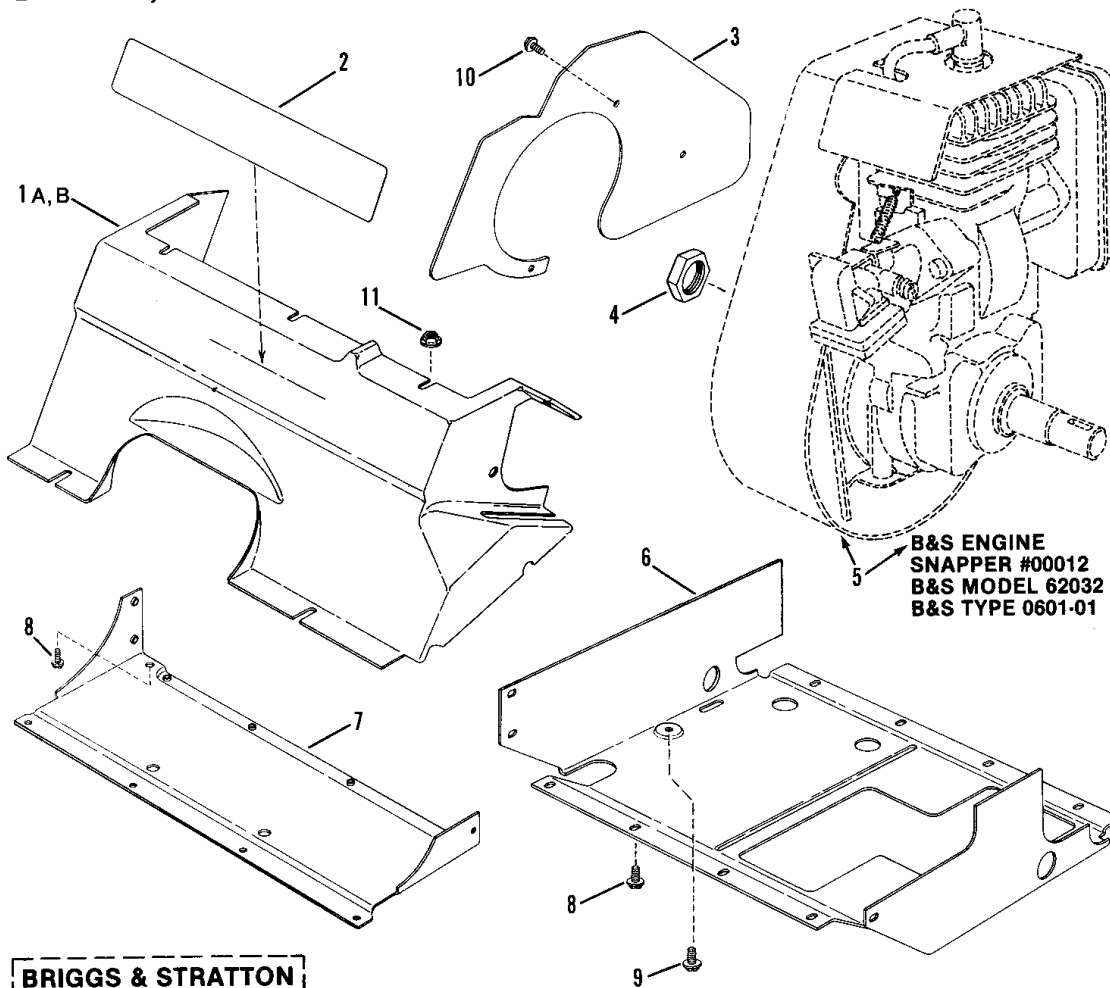


3201 SERIES

ITEM	PART NO.	DESCRIPTION
1	1-9745	DEFLECTOR, Discharge
2	1-9989	CHUTE, Discharge (Plastic)
3	1-4915	RETAINER, Chute to Housing (3)
4	1-2093	SPRING, Release Rod
5	1-8686	ROD, Release
6	1-4929	DECAL, Chute Danger
7	1-4916	PIN, Wire Hinge
8	9-0238	CAPSCREW, 5/16Fx3/4" Hex Head (2)
9	9-0188	WASHER, 5/16 SAE Flat (4)
10	9-0222	LOCKNUT, 5/16F (2)
11	9-0363	CAPSCREW, 10-24x5/8" Hex Head (6)
12	9-0037	COTTER-PIN, 3/32x3/4"
13	9-0383	BOLT, 5/16-18x1" Carriage
14	1-4468	WING-NUT, 5/16-18

Einstufige-Schneefräuse Bezeichnung: 3200, 3201 Series Modell: Jahr:

**ENGINES, COVERS**



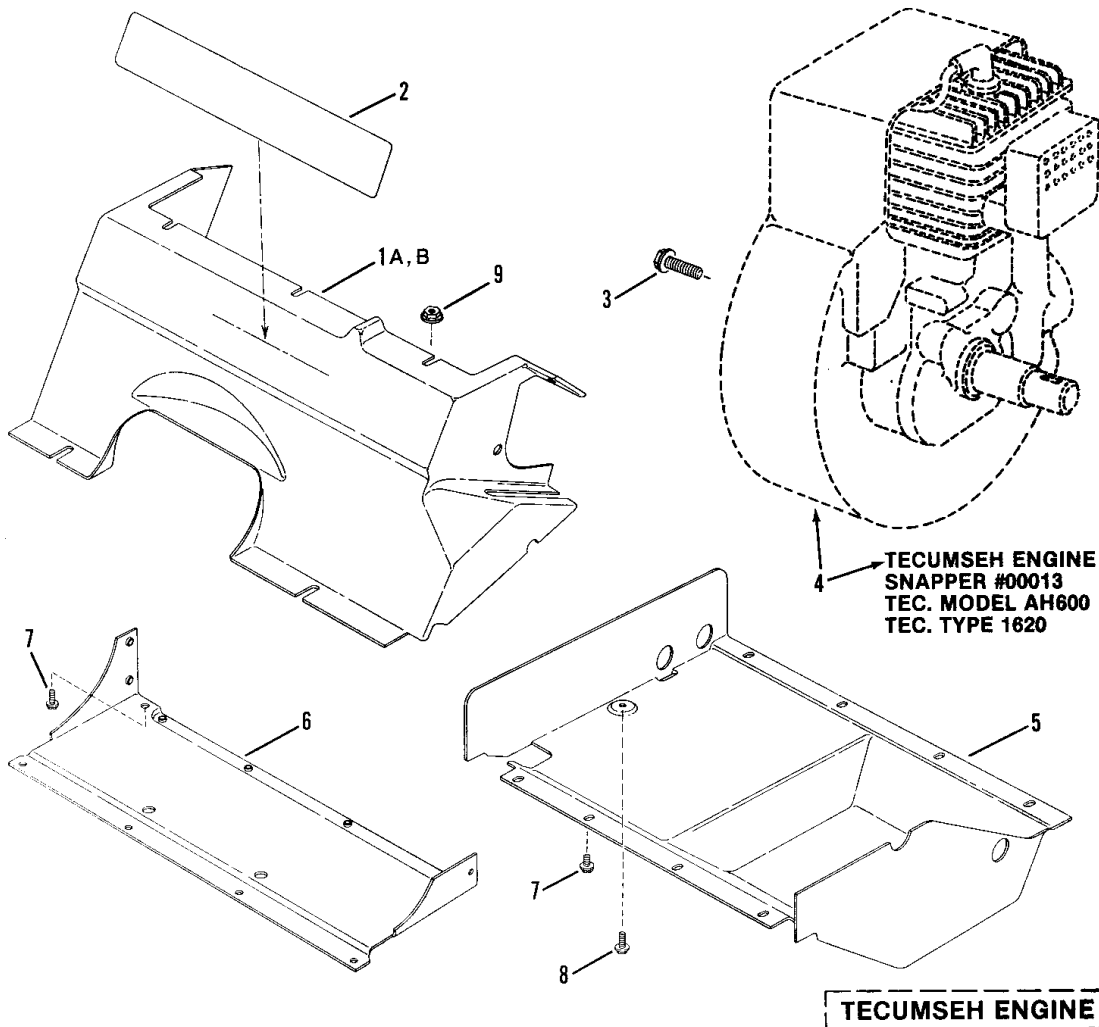
**BRIGGS & STRATTON**

ITEM	PART NO.	DESCRIPTION
1A	1-9979	COVER, Top (3200 Series)
1B	1-6001*	COVER, Top (3201 Series)(Replaces 1-9988)
2	1-8593	DECAL, Snapper (used on item 1A)
3	1-9737	PARTITION
4	9-0771	LOCKNUT
5	0-0012	ENGINE, Briggs & Stratton 2 Cycle
6	3-5040	COVER, Bottom
7	3-6098	BRACE
8	9-0822	SCREW, #10-24x1/4" (10)
9	9-0856	SCREW, #10-24X1/2" HWH (2)
10	9-0525	SCREW, #8-18x1/2" HH Self-Tap (3)
11	9-0623	LOCKNUT #10-24 Hex (5)

\*See Page 11

Einstufige-Schneefräse Bezeichnung: 3200, 3201 Series Modell: Jahr:

ENGINES, COVERS



ITEM	PART NO.	DESCRIPTION
1A	1-9981	COVER, Top (3200 Series)
1B	1-6001*	COVER, Top (3201 Series)(Replaces 3-8172)
2	1-8593	DECAL, Snapper (used on item 1A)
3	9-0676	LOCK-BOLT, 1/4-20x3/8" Hex Flange
4	0-0013	ENGINE, Tecumseh 2 Cycle
5	1-9980	COVER, Bottom
6	3-6098	BLADE
7	9-0822	SCREW, #10-24x1/4" (10)
8	9-0856	SCREW, #10-24x1/2" (2)
9	9-0623	LOCKNUT, #10-24 HEX (5)

\*Must Be Furnished With (1) 5-1560 & (2) 9-0896 For Machines Built In 1984.

SINGLE STAGE SNOW THROWERS

Rev. 1, (3/86) MANUAL 06024

Einstufige-Schneefr ase Bezeichnung: 3200, 3201 Series Modell: Jahr:

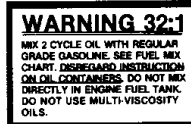
DECALS



1-8593



1-4653



1-8653

1-8652 (TEC.)  
1-4764 (B&S)

FUEL MIX CHART					
U S		IMPERIAL		METRIC	
GAS	OIL	GAS	OIL	PETROL	OIL
GAL.	OZ.	GAL.	OZ.	LITERS	L.
1	4	1	5.0	4	115
2	8	2	10	8	230
5	20	5	25	20	625

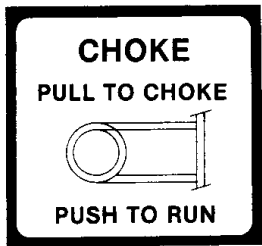


1-3929 (3200 Series)\*

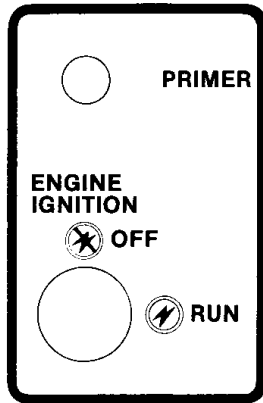


1-3930 (3200 Series)\*

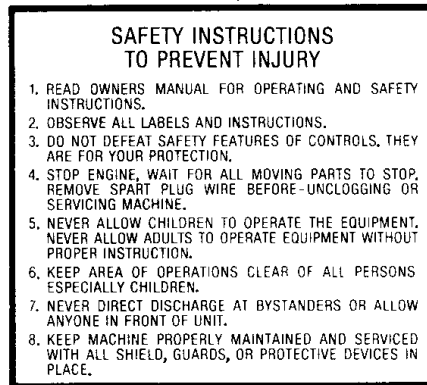
1-4739



1-4635



1-4641



\*See page 13 for 3201 Series Decals

Einstufige-Schneefräuse Bezeichnung: 3200, 3201 Series Modell: Jahr:

DECALS (CONTINUED)



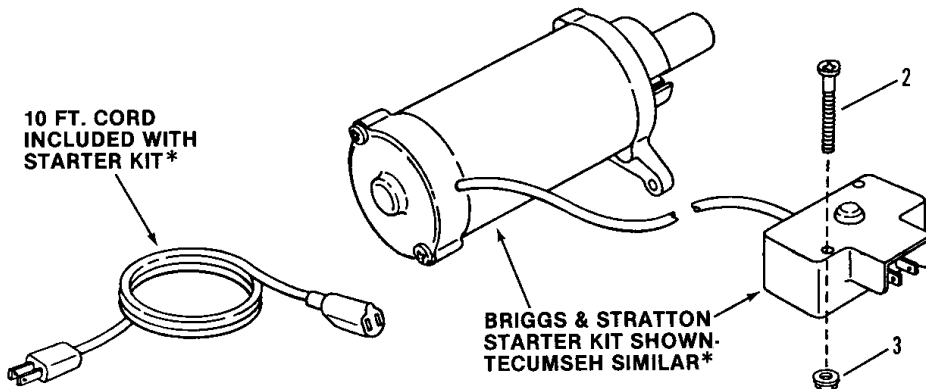
1-4941 (3201 Series)



1-4929 (3201 Series)

ELECTRIC START

① ELECTRIC START KITS (STANDARD FOR TECUMSEH 3201S ELEC. START)



ITEM	PART NO.	DESCRIPTION
1	6-0607	For Briggs & Stratton Engine
-	6-0608	For Tecumseh Engine
2	9-0866	SCREW, #10-24x1 3/4" Philips Panhead (2);Briggs & Stratton only
3	9-0623	NUT, #10-24, Hex Lock, (2);Briggs & Stratton only

\*Parts Available Only from Engine Manufacturer

Einstufige-Schneefräuse Bezeichnung: 3200, 3201 Series Modell: Jahr:

Parts Manual

for

**SNAPPER**<sup>®</sup>

**3200, 3201  
SERIES**

**SINGLE STAGE**

**SNOW THROWERS**

NOTE: The series number is the last numeral in the model number.

**SNAPPER POWER EQUIPMENT**  
McDonough, GA • 30253



MANUAL 06024, Rev. 1 (3/86)

Printed in U.S.A.