

Zweistufige-Schneefräuse Bezeichnung: Snow Thrower Models I4220, I4221, I5240 & I5231 Modell: Jahr:

Parts Manual for

SNAPPER®

Two-Stage

**SNOW THROWER
MODELS I4220,
I4221, I5240,
& I5231**



NOTE:

The Series number is the last numeral in the model number.

IT IS THE POLICY OF SNAPPER POWER EQUIPMENT TO IMPROVE ITS PRODUCTS WHENEVER IT IS POSSIBLE AND PRACTICAL TO DO SO. WE RESERVE THE RIGHT TO MAKE CHANGES OR ADD IMPROVEMENTS AT ANY TIME WITHOUT INCURRING ANY OBLIGATION TO MAKE SUCH CHANGES ON PRODUCTS MANUFACTURED PREVIOUSLY.

SNAPPER POWER EQUIPMENT

McDonough, GA • 30253

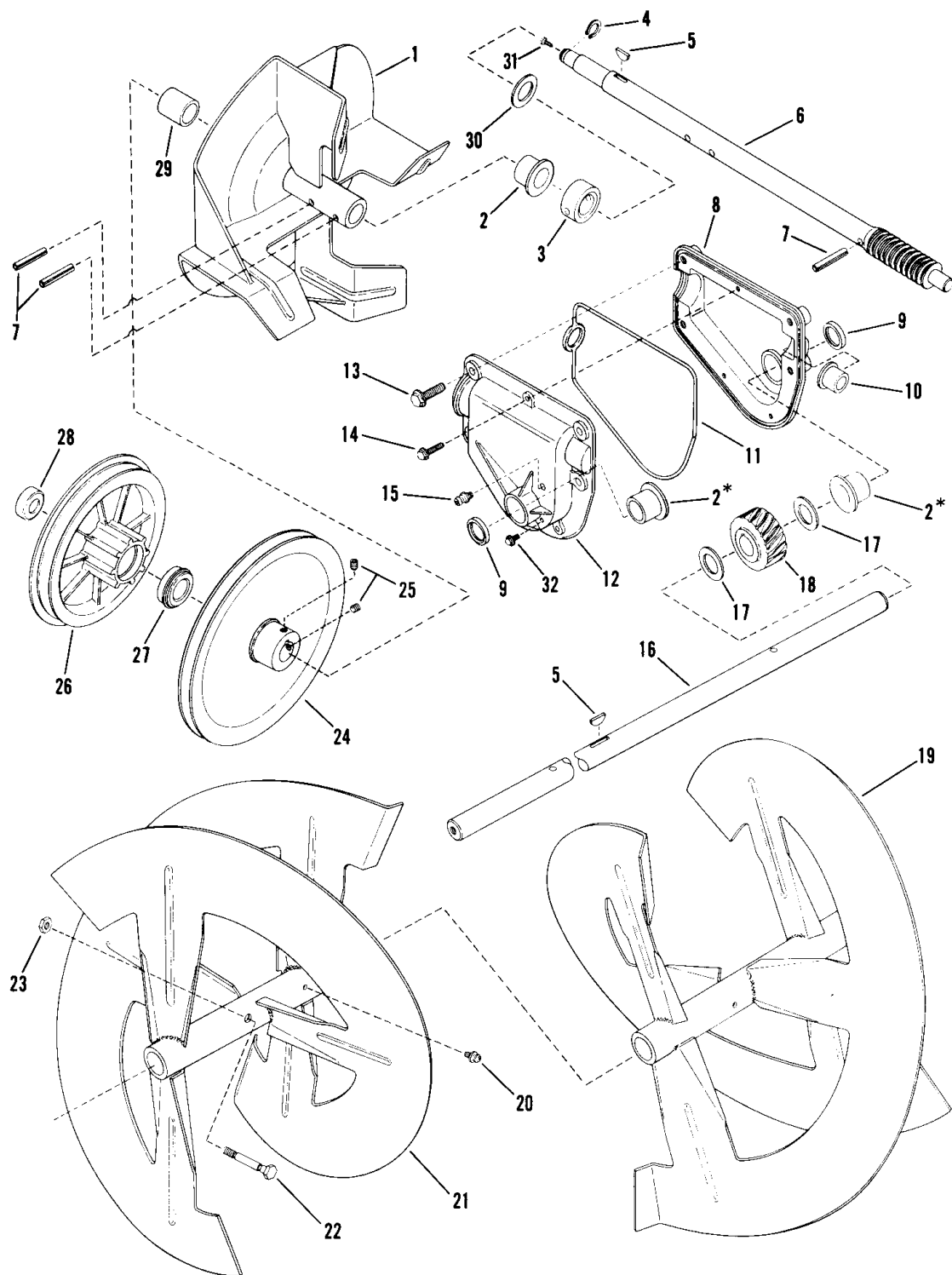


Rev. 2, 7/88
(Replaces Rev. 1, 2/86)

MANUAL NO. 06044

Zweistufige-Schneefr ase Bezeichnung: Snow Thrower Models I4220, I4221, I5240 & I5231 Modell: Jahr:

AUGERS, IMPELLER, GEAR CASE, SHAFT



MANUAL NO. 06044, Rev. 2, 7/88
(Replaces Rev. 1, 2/86)

2

I4220, I4221, I5240, I5241
SNOW THROWER

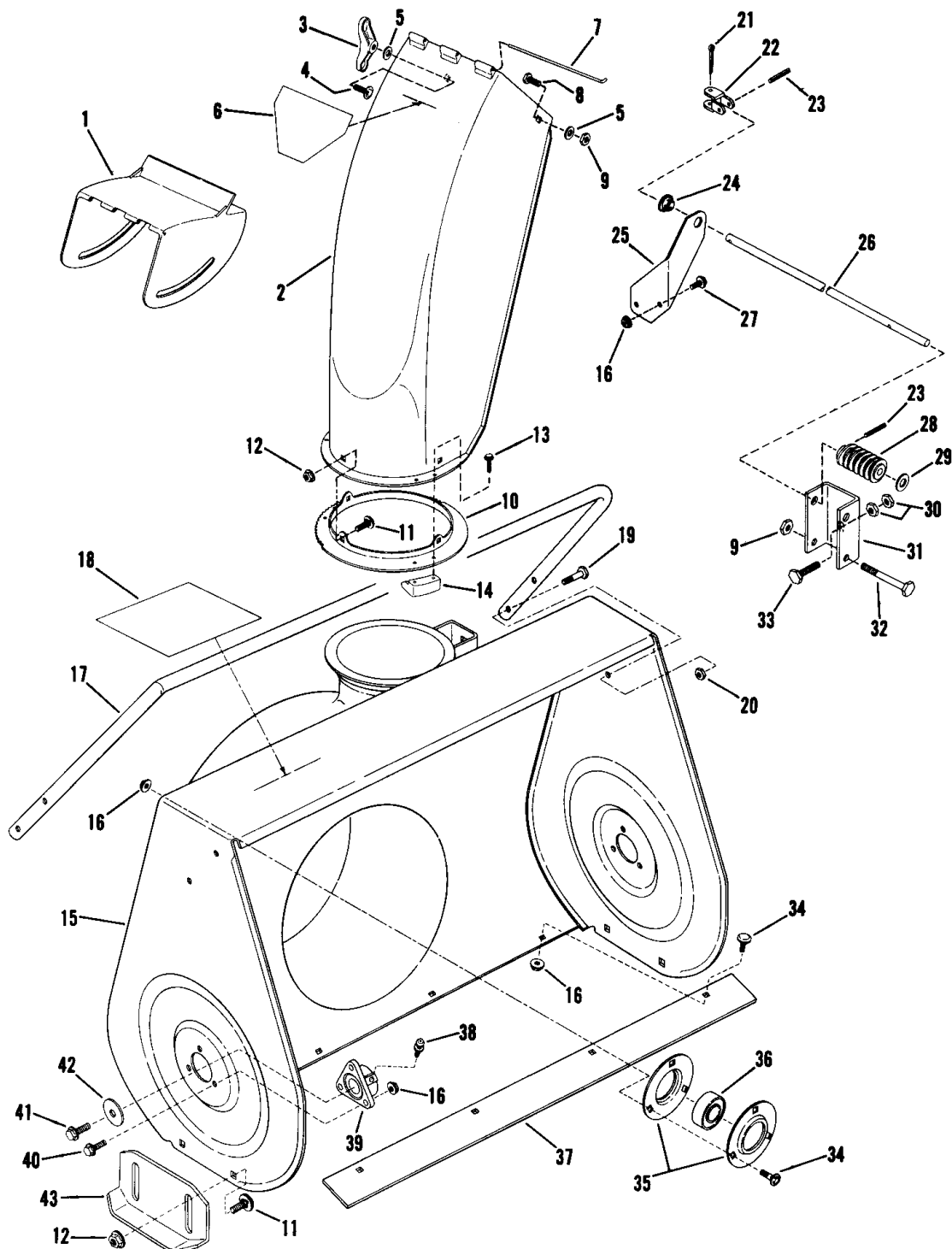
Zweistufige-Schneefr ase Bezeichnung: Snow Thrower Models I4220, I4221, I5240 & I5231 Modell: Jahr:

AUGERS, IMPELLER, GEAR CASE, SHAFT

ITEM	PART NO.	DESCRIPTION
1	4-9728	IMPELLER (Fan)
2	1-5363	BEARING
2*	—	NOT REQUIRED, 1986 MODELS (Bearing is part of Gear Case)
3	2-1961	COLLAR
4	1-0776	RING, Retaining (1985 Models)
5	1-0211	KEY, #9 Woodruff (2)
6	1-9764	SHAFT, Worm (1985 Models)
-	1-9783	SHAFT, Worm (1986 Models & Later)
7	9-0842	ROLL-PIN, 1/4 x 1-1/4 (3)
8	1-9779	COVER, Gear Case (L.H.), 1986 Models & Later (Replaces 1-9765)
9	1-5136	SEAL (2)
10	1-5230	BUSHING
11	1-5137	"O" RING
12	1-9780	COVER, Gear Case (R.H.), 1986 Models & Later (Replaces 1-9766)
13	9-0290	SCREW, 1/4-20x3/4", Self-Tapping (4)
14	9-0363	SCREW, #10-24x5/8", Self-Tapping (3)
15	1-4247	FITTING, Lube
16	2-9554	SHAFT, Auger
17	1-3852	WASHER, Thrust (2)
18	2-7652	GEAR, Worm
19	4-9969	AUGER, Left Hand
20	1-3864	FITTING, Lube (2)
21	4-9968	AUGER, Right Hand
22	1-5257	BOLT, Shear, 1/4-20x1-1/2" (2)
23	9-0372	LOCKNUT, 1/4-20 Hex (2)
24	1-3867	SHEAVE (Includes setscrews)
25	9-0201	SETSCREW, 5/16C (2)
26	5-1566	DRIVE PLATE ASSM'Y. (Includes items 27 & 28)
27	1-0756	BEARING, Ball
28	1-4295	BEARING, Ball
29	1-5143	SPACER
30	3-2479	WASHER, Thrust
31	9-0929	SCREW, 1/4-20x1/2", Self-Tapping, Truss Hd. (1986 Models & Later)
32	9-0307	SCREW, #10-24x1/2", Self-Tapping, Hex Hd.

Zweistufige-Schneefräuse Bezeichnung: Snow Thrower Models I4220, I4221, I5240 & I5231 Modell: Jahr:

COLLECTOR HOUSING, DISCHARGE CHUTE



MANUAL NO. 06044, Rev. 2, 7/88
(Replaces Rev. 1, 2/86)

4

I4220, I4221, I5240, I5241
SNOW THROWER

Zweistufige-Schneefr ase Bezeichnung: Snow Thrower Models I4220, I4221, I5240 & I5231 Modell: Jahr:

COLLECTOR HOUSING, DISCHARGE CHUTE

ITEM	PART NO.	DESCRIPTION
1	1-9767	DEFLECTOR, Discharge Chute
2	1-6004	CHUTE, Discharge
3	1-4468	WING-NUT
4	9-0316	CARRIAGE BOLT, 5/16-18x3/4"
5	9-0188	WASHER, 5/16 SAE (2)
6	1-4929	DECAL, Danger, Discharge Chute
7	1-5138	PIN, Hinge
8	9-0233	CAPSCREW, 5/16-24x3/4" Hex Head
9	9-0222	LOCKNUT, 5/16-24 Hex (2)
10	3-8205	RING, Chute
11	9-0605	CARRIAGE BOLT, 5/16-18x5/8" (7)
12	9-0585	LOCKNUT, 5/16-18 Hex Flange (7)
13	9-0363	CAPSCREW, #10-24x5/8" Self-Tapping (6)
14	1-1938	RETAINER (Chute Ring to Housing) (3)
15	4-9967	HOUSING, Blower (Model I4220, I4221)
—	4-9973	HOUSING, Blower (Model I5240, I5241)
16	9-0583	LOCKNUT, 1/4-20 (15)
17	3-8201	DRIFT-CUTTER (Model I4220, I4221)
—	3-8230	DRIFT-CUTTER (Model I5240, I5241)
18	1-4941	DECAL, Danger, Rotating Auger
19	9-0643	CAPSCREW, 1/4-20x7/8" (4)
20	9-0372	LOCKNUT, 1/4-20 Hex (4)
21	9-0041	COTTER PIN, 1/8x1"
22	3-2126	CONNECTOR
23	1-4001	ROLL-PIN, 1/8x3/4" (2)
24	1-2117	BUSHING
25	3-2464	BRACKET, Worm Shaft Support
26	1-8753	SHAFT, Worm
27	9-0584	BOLT, Lock, 1/4-20x1/2" Hex Flange (2)
28	2-1828	WORM
29	1-1079	WASHER, Spring Steel
30	9-0196	NUT, 5/16-18 Hex (2)
31	3-7963	BRACKET, Worm Shaft
32	9-0838	CAPSCREW, 5/16-24x2-1/4"
33	9-0208	CARRIAGE BOLT, 5/16-18x1"
34	9-0666	CARRIAGE BOLT, 1/4Cx5/8" (7)
35	3-2455	HOUSING, Bearing (2)
36	1-4608	BEARING, Ball
37	3-6144	BLADE, Scraper (Model I4220, I4221)
—	3-6163	BLADE, Scraper (Model I5240, I5241)
38	1-0817	FITTING, Lube (2)
39	1-8736	BEARING, Auger Shaft (2)
40	9-0596	BOLT, 1/4-20x5/8" Flange Lock (6)
41	9-0361	SCREW, 5/16-18x5/8" , Self-Tapping (2)
42	1-3848	WASHER (2)
43	3-7982	SKID-SHOE (2)

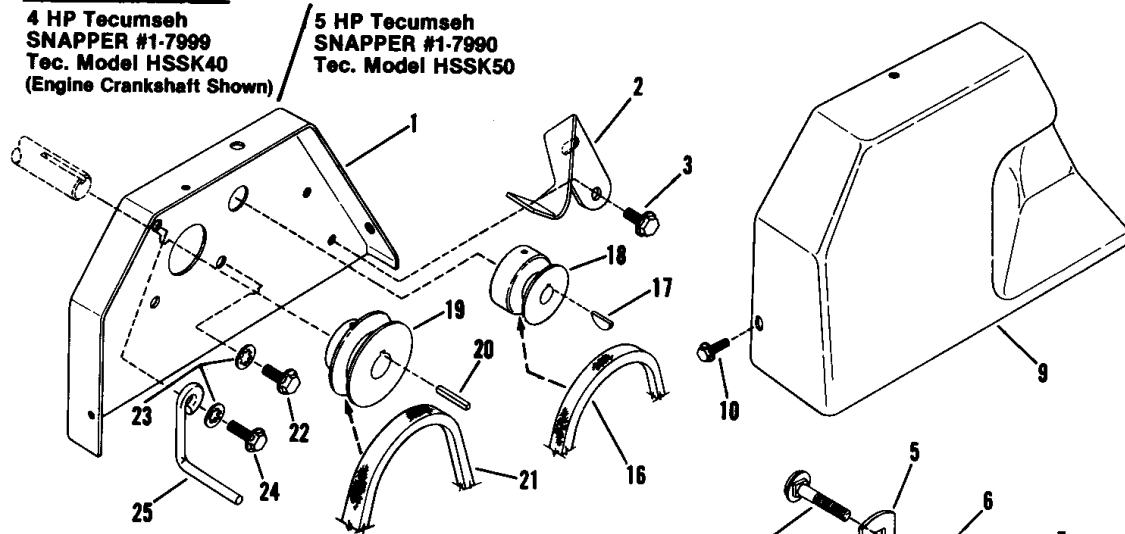
Zweistufige-Schneefräuse Bezeichnung: Snow Thrower Models I4220, I4221, I5240 & I5231 Modell: Jahr:

ENGINE, PULLEY, IDLER, CLUTCH SYSTEM

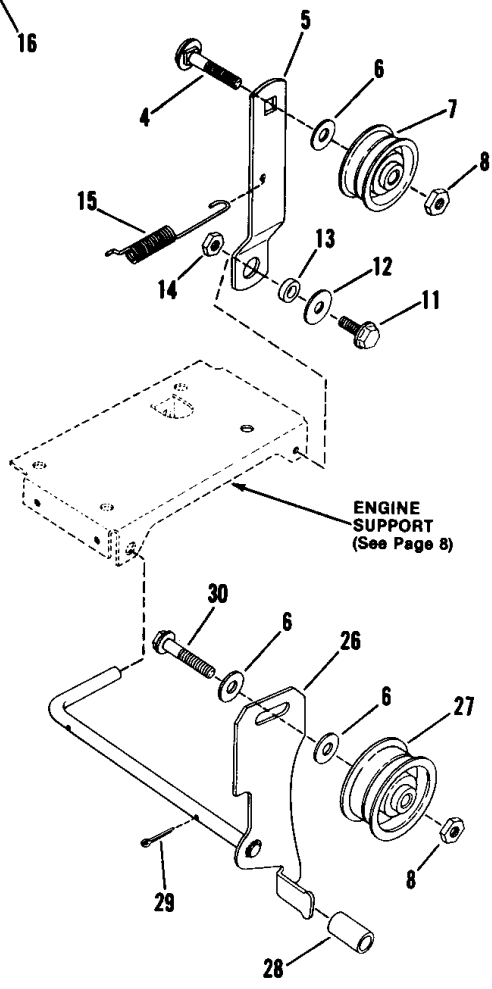
ENGINE SPECS.

4 HP Tecumseh
SNAPPER #1-7999
Tec. Model HSSK40
(Engine Crankshaft Shown)

5 HP Tecumseh
SNAPPER #1-7990
Tec. Model HSSK50



ITEM	PART NO.	DESCRIPTION
1	3-6151	PLATE, Engine
2	3-8214	GUIDE, Belt
3	9-0858	SCREW, 5/16-18x1/2" Self-Tapping (2)
4	9-0915	CARRIAGE BOLT, 3/8-16x1-3/8"
5	3-2462	BRACKET, Idler
6	9-0122	WASHER, 3/8 SAE (3)
7	1-0948	IDLER
8	9-0546	LOCKNUT, 3/8-16 Hex (2)
9	3-5083	COVER, Belt
10	9-0307	SCREW, #10Cx1/2" Self-Tapping (3)
11	9-0204	CAPSCREW, 5/16-18x5/8", Hex Head
12	1-4098	WASHER
13	1-3849	SPACER
14	9-0184	LOCKNUT, 5/16-18 Hex
15	1-5188	SPRING
16	1-5151	BELT, Traction
17	1-0614	KEY, Woodruff
18	1-5179	PULLEY, P.T.O.
19	1-5180	PULLEY, Auger Drive
20	1-0061	KEY, 3/16x1"
21	1-5152	BELT, Blower
22	9-0322	Cap Screw, 5/16-24x1/2", Hex Head (2)
23	9-0391	WASHER, Lock, Int. Tooth (3)
24	9-0233	CAPSCREW, 5/16-24x3/4", Hex Head
25	1-5226	FINGER, Belt
26	4-7875	BRAKE ARM & ROD
27	1-4340	IDLER
28	1-5177	TUBE, Brake
29	9-0360	COTTER PIN, 1/16x3/4" (2)
30	9-0503	CAPSCREW, 3/8-16x1-3/4", Hex Head

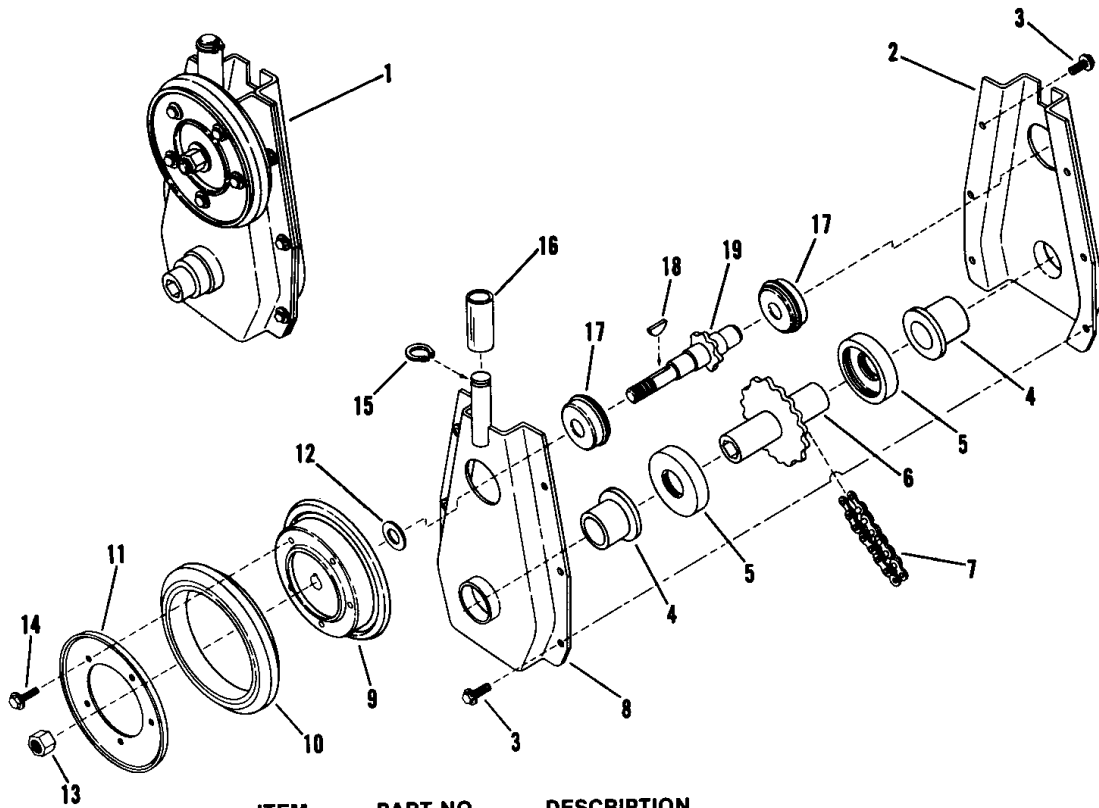


ENGINE SUPPORT
(See Page 8)

MANUAL NO. 06044, Rev. 2, 7/88)
(Replaces Rev. 1, 2/86)

Zweistufige-Schneefräuse Bezeichnung: Snow Thrower Models I4220, I4221, I5240 & I5231 Modell: Jahr:

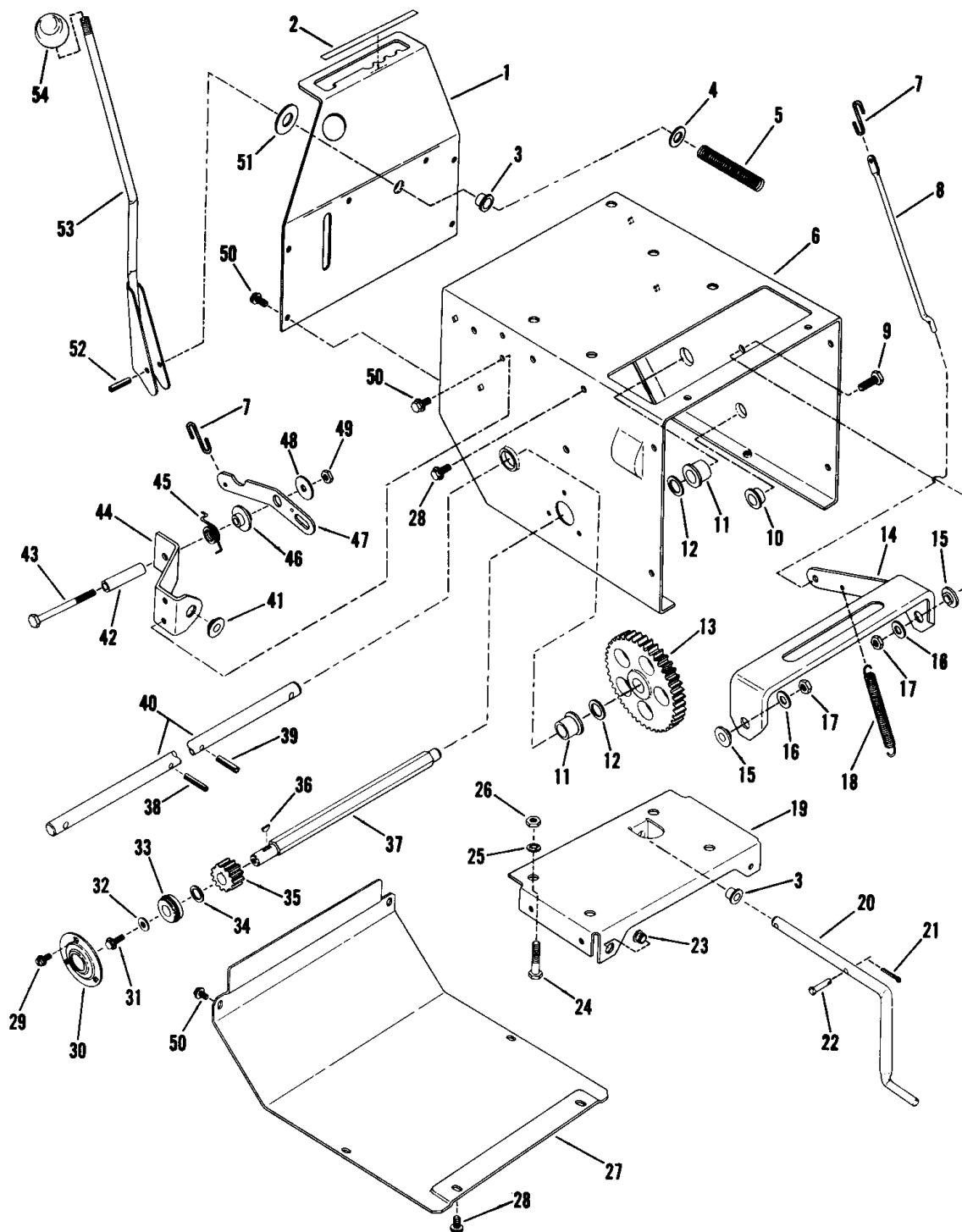
CHAIN CASE



ITEM	PART NO.	DESCRIPTION
1	5-1570	CHAIN CASE ASSM'Y. (Includes items 2 thru 19)
2	5-1569	COVER, ASSM'Y, Sprocket (Includes items 4 & 17)
3	9-0018	SCREW, #10-32x3/8" Hex Head (6)
4	1-5363	BEARING (2)
5	1-5142	SPACER (2)
6	4-0523	HUB & SPROCKET
7	1-5156	CHAIN
8	5-1568	CASE, ASSM'Y., Sprocket (Includes items 4 & 17)
9	1-8748	HUB, Driven Disc
10	1-0927	RING, Driven
11	3-1013	PLATE
12	9-0122	WASHER
13	9-0524	LOCKNUT, 3/8-24 Hex
14	9-0307	SCREW, #10-24x1/2" Hex Head (5)
15	1-0776	RING, Retaining
16	2-0908	ROLLER
17	1-5141	BEARING, Ball (2)
18	1-5163	KEY, Woodruff
19	1-8964	SHAFT & SPROCKET

Zweistufige-Schneefräuse Bezeichnung: Snow Thrower Models I4220, I4221, I5240 & I5231 Modell: Jahr:

FRAME, TRACTION DRIVE



MANUAL NO. 06044, Rev. 2, 7/88
(Replaces Rev. 1, 2/86)

I4220, I4221, I5240, I5241
SNOW THROWER

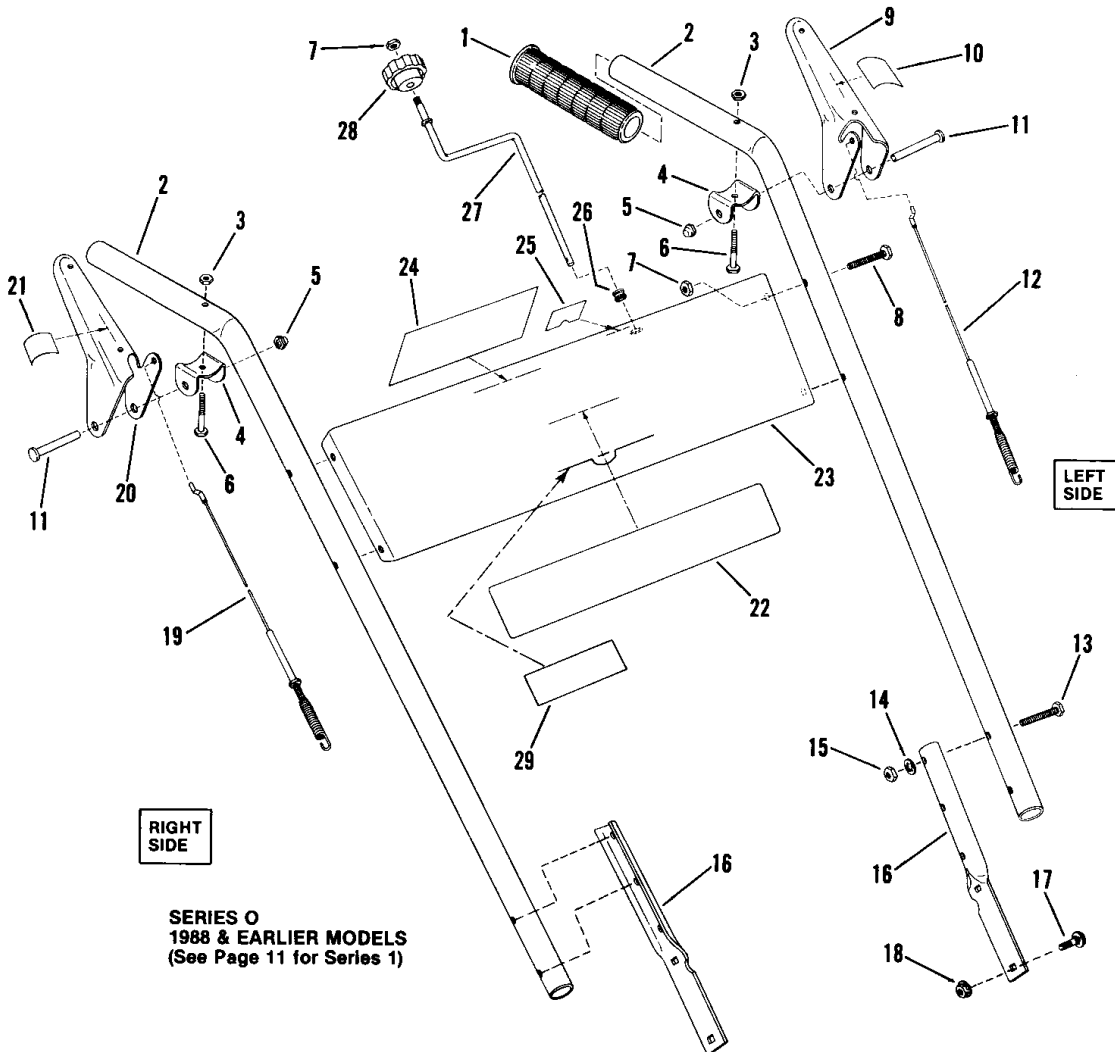
Zweistufige-Schneefr ase Bezeichnung: Snow Thrower Models I4220, I4221, I5240 & I5231 Modell: Jahr:

FRAME, TRACTION DRIVE

ITEM	PART NO.	DESCRIPTION
1	3-6149	COVER, Frame Rear
2	1-5187	DECAL, Direction Control
3	1-1016	BEARING (2)
4	9-0250	WASHER, 1/2 SAE
5	1-5165	SPRING, Shift
6	3-5084	FRAME
7	1-5271	"S" HOOK (2)
8	1-5166	ROD, Clutch
9	9-0138	CAPSCREW, 3/8-16x1" (2)
10	1-5164	BEARING
11	1-5363	BUSHING (2)
12	1-0935	WASHER (2)
13	1-8741	GEAR, Axle Shaft
14	4-7873	BRACKET, Clutch
15	1-4314	BUSHING (2)
16	9-0122	WASHER, 3/8 SAE (2)
17	9-0546	LOCKNUT, 3/8-16 Hex (2)
18	1-2264	SPRING, Clutch
19	3-6146	SUPPORT, Engine
20	1-8750	ROD, Shift
21	9-0673	COTTER-PIN, 1/16x1/2"
22	1-5157	PIN, Clevis
23	1-2117	BUSHING
24	9-0211	CAPSCREW, 5/16-18x1-1/2" Hex Head (4)
25	1-1791	RETAINER (4)
26	9-0585	LOCKNUT, 5/16-18 (4)
27	3-5085	COVER, Frame Bottom
28	9-0858	SCREW, 5/16-18x1/2" H.W.H.,Self-Tapping (6)
29	9-0822	SCREW, #10x1/4" Self-Tapping (3)
30	3-2460	RETAINER, Bearing
31	9-0539	SCREW, 1/4-20x1/2" Self-Tapping Hex Hd.
32	9-0055	WASHER
33	1-5141	BEARING, Ball
34	1-4296	WASHER, Shim
35	1-8740	GEAR, Pinion
36	1-5163	KEY, Woodruff, 3/32x1/2"
37	2-7653	SHAFT, Hex
38	1-3862	ROLL-PIN, 1/4x1-1/2"
39	1-3072	ROLL-PIN, 1/4-1"
40	2-7654	AXLE, Shaft
41	1-4314	BUSHING
42	1-5198	SPACER
43	9-0553	CAPSCREW, 5/16-18x3"
44	3-2466	BRACKET
45	1-5178	SPRING
46	1-5139	BUSHING
47	3-2465	LEVER
48	1-3848	WASHER
49	9-0184	LOCKNUT, 5/16-18
50	9-0302	SCREW, 1/4Cx3/8" Self-Tapping (12)
51	3-1036	WASHER, Thrust
52	1-3550	ROLL-PIN, 3/16x1"
53	4-7872	SHIFTER
54	1-2659	KNOB, Shifter

Zweistufige-Schneefräuse Bezeichnung: Snow Thrower Models I4220, I4221, I5240 & I5231 Modell: Jahr:

HANDLES, CONTROLS



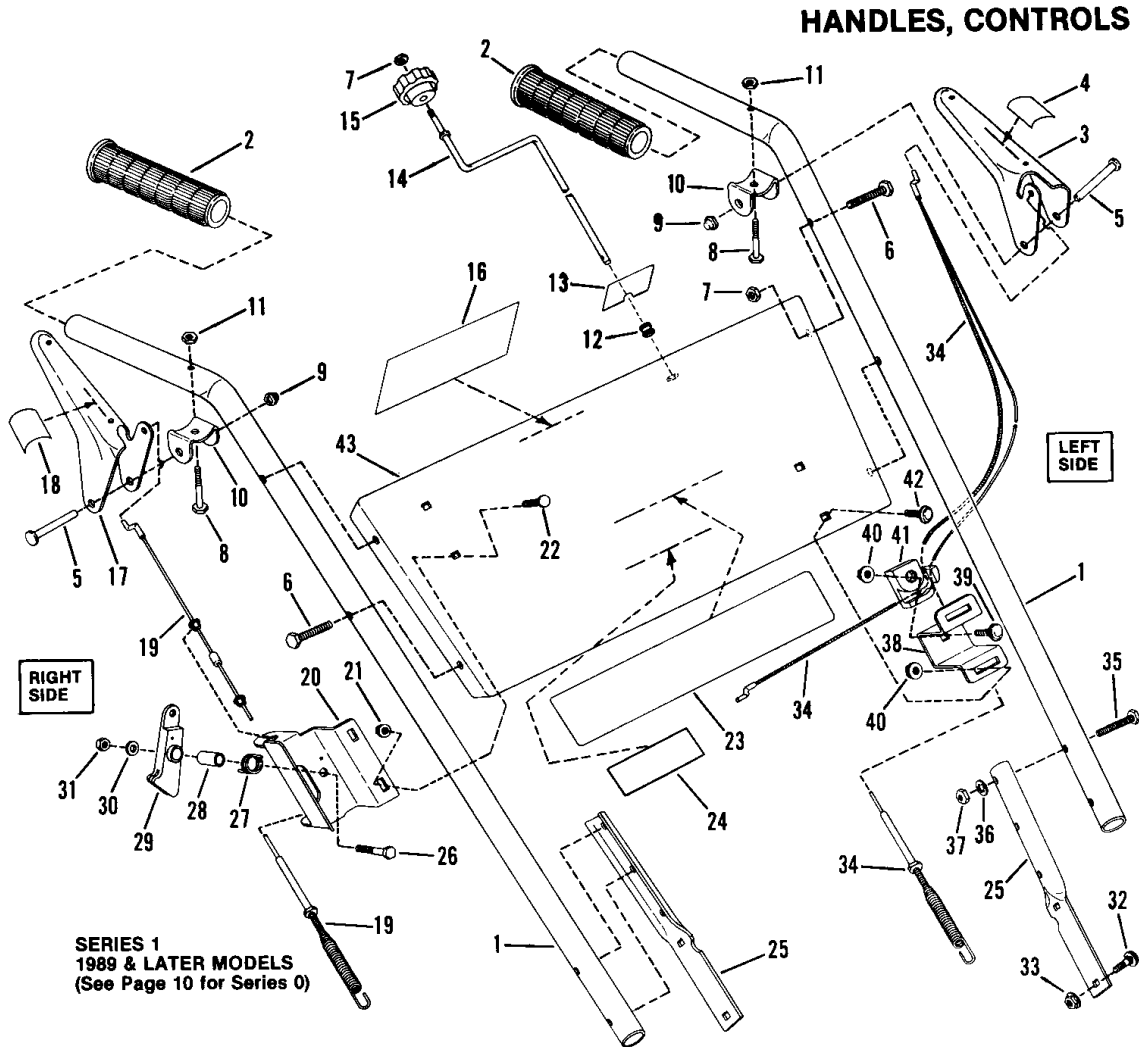
SERIES O
1988 & EARLIER MODELS
(See Page 11 for Series 1)

ITEM	PART NO.	DESCRIPTION
1	1-1870	GRIP, Handle (2)
2	3-6147	HANDLE BAR (2)
3	9-0303	LOCKNUT, 1/4-28 Hex (2)
4	3-2119	BRACKET, Handle (2)
5	9-0489	PUSH-NUT (2)
6	9-0552	CAPSCREW, 1/4-28x1-3/8" (2)
7	9-0184	LOCKNUT, 5/16-18 Hex (5)
8	9-0211	CAPSCREW, 5/16-18x1-1/2" HH (4)
9	3-9771	HANDLE, Left Side
10	1-3925	DECAL, Traction Clutch
11	1-5167	PIN, Clevis, 1/4x1-7/8" (2)
12	1-8746	CABLE, Clutch, Left Side (Short)
13	9-0211	CAPSCREW, 5/16-18x1-1/2" (4)
14	9-0391	WASHER, Lock, Internal Tooth (4)
15	9-0196	NUT, 5/16-18 Hex (4)

ITEM	PART NO.	DESCRIPTION
16	3-8208	BRACE, Handle Bar (2)
17	9-0605	CARRIAGE BOLT, 5/16-18x5/8" (4)
18	9-0585	LOCKNUT, 5/16-18 Hex (4)
19	1-8747	CABLE, Auger, Right Side (Long)
20	3-9772	HANDLE, Right Side
21	1-3926	DECAL, Blower Clutch
22	1-8593	DECAL, SNAPPER
23	3-6148	PANEL, Control
24	1-5168	DECAL, Instruction
25	1-4212	DECAL, Chute Control
26	1-2117	BUSHING
27	1-5186	CABLE, Chute
28	1-3901	KNOB, Chute Crank
29	1-5357	DECAL, Model 4220
—	1-5358	DECAL, Model 5240

MANUAL NO. 06044, Rev. 2, 7/88
(Replaces Rev. 1, 2/86)

Zweistufige-Schneefräse Bezeichnung: Snow Thrower Models I4220, I4221, I5240 & I5231 Modell: Jahr:



SERIES 1
1989 & LATER MODELS
(See Page 10 for Series 0)

ITEM	PART NO.	DESCRIPTION
1	3-6147	HANDLE BAR (2)
2	1-1870	GRIP, Handle (2)
3	3-9771	HANDLE, Left Side
4	1-3925	DECAL, Traction Clutch
5	1-5167	PIN, Clevis, 1/4x1-7/8" (2)
6	9-0211	CAPSCREW, 5/16-18x1-1/2" (4)
7	9-0184	LOCKNUT, 5/16-18 Hex (5)
8	9-0552	CAPSCREW, 1/4-28x1-3/8" (2)
9	9-0489	PUSH-NUT (2)
10	3-2119	BRACKET, Handle (2)
11	9-0303	LOCKNUT, 1/4-28 Hex (2)
12	1-2117	BUSHING
13	1-4212	DECAL, Chute Control
14	1-5186	CRANK, Chute
15	1-3901	KNOB, Chute Crank
16	1-5168	DECAL, Instruction
17	3-9772	HANDLE, Right Side
18	1-3926	DECAL, Blower Clutch
19	1-8982	CABLE, Auger, Right Side
20	3-8352	BRACKET
21	9-0623	LOCKNUT, #10-24 Hex Flg.
22	9-0960	BOLT, #10-24x1/2" Flat Hd. Car.

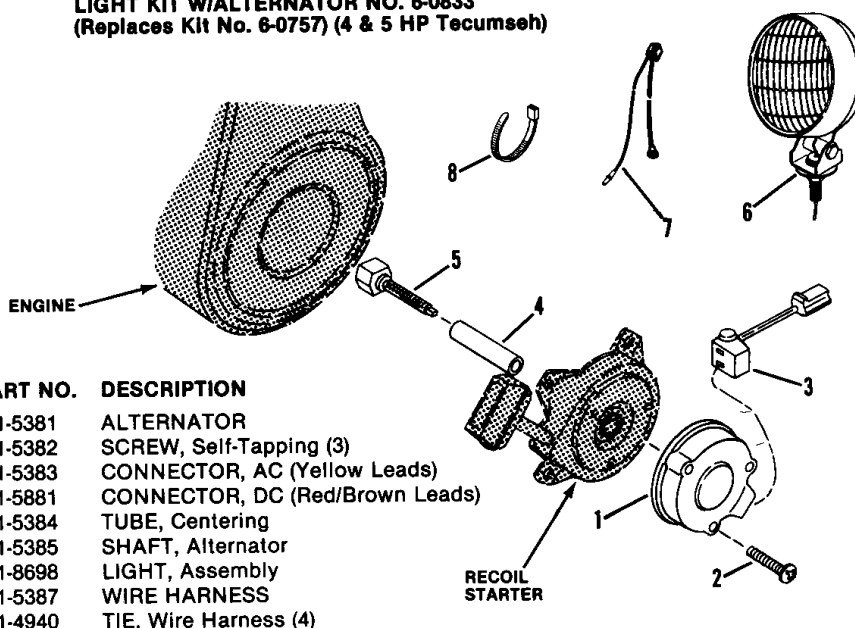
ITEM	PART NO.	DESCRIPTION
23	1-8593	DECAL, SNAPPER
24	1-5357	DECAL, Model I4220, I4221
	1-5358	DECAL, Model I5240, I5241
25	3-8208	BRACE, Handle Bar (2)
26	9-0548	BOLT, 1/4-20x1" Hex Hd.
27	1-5966	SPRING
28	1-5969	SPACER
29	1-8980	CAM LOCK
30	9-0055	WASHER, 1/4 Flat
31	9-0372	LOCKNUT, 1/4-20 Hex
32	9-0605	CARRIAGE BOLT, 5/16-18x5/8" (4)
33	9-0585	LOCKNUT, 5/16-18 Hex (4)
34	1-8981	CABLE, Clutch, Left Side
35	9-0211	CAPSCREW, 5/16-18x1-1/2" (4)
36	9-0391	WASHER, Internal Tooth Lock (4)
37	9-0196	NUT, 5/16-18 Hex (4)
38	3-2651	BRACKET, Cable Guide Support
39	9-0074	BOLT, 1/4-20x3/4" Carriage
40	9-0583	LOCKNUT, 1/4-20 Hex Flg. (3)
41	1-5960	GUIDE, Cable
42	9-0005	BOLT, 1/4-20x1/2" Carriage (2)
43	3-6237	PANEL, Control

I4220, I4221, I5240, I5241
SNOW THROWER

Zweistufige-Schneefräuse Bezeichnung: Snow Thrower Models I4220, I4221, I5240 & I5231 Modell: Jahr:

ACCESSORIES

**LIGHT KIT W/ALTERNATOR NO. 6-0833
(Replaces Kit No. 6-0757) (4 & 5 HP Tecumseh)**



ITEM	PART NO.	DESCRIPTION
1	1-5381	ALTERNATOR
2	1-5382	SCREW, Self-Tapping (3)
3	1-5383	CONNECTOR, AC (Yellow Leads)
—	1-5881	CONNECTOR, DC (Red/Brown Leads)
4	1-5384	TUBE, Centering
5	1-5385	SHAFT, Alternator
6	1-8698	LIGHT, Assembly
7	1-5387	WIRE HARNESS
8	1-4940	TIE, Wire Harness (4)

HARDWARE BAG KIT NO. 6-0725

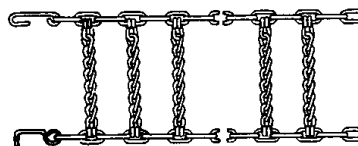
PART NO.	DESCRIPTION
1-1938	RETAINER
1-5271	HOOK, "S" (2)
1-8746	CABLE, Clutch (Ground Drive)
1-8747	CABLE, Auger Drive
9-0041	COTTER PIN, 1/8x1"
9-0196	NUT, 5/16-18 Hex (4)
9-0211	CAPSCREW, 5/16-18x1-1/2" (4)
9-0363	CAPSCREW, #10-24x5/8" (2)
9-0391	LOCKWASHER, 5/16 Int. Tooth (4)
1-5257	BOLT, Shear, 1/4-20x1-1/2" (2)
9-0372	LOCKNUT, 1/4-20 Hex (2)
1-2659	KNOB, Selector Arm

ELECTRIC START KITS

KIT NO.	TYPE	FOR
6-0758	120 VOLT-GEAR	4 HP & 5 HP TEC. (U.S.)

TIRE CHAIN KIT #6-0713 (4 HP, Model I4220, I4221)

TIRE CHAIN KIT #6-0756 (5 HP, Model I5240, I5241)



(Each Kit Includes 2 Chains)

Zweistufige-Schneefr ase Bezeichnung: Snow Thrower Models I4220, I4221, I5240 & I5231 Modell: Jahr:

Parts Manual
for

SNAPPER®

Two-Stage
SNOW THROWER
MODELS I4220,
I4221, I5240,
& I5241

SNAPPER POWER EQUIPMENT

McDonough, GA • 30253



MANUAL NO. 06044

Rev. 2, 7/88
(Replaces Rev. 1, 2/86)

Printed in U.S.A.