

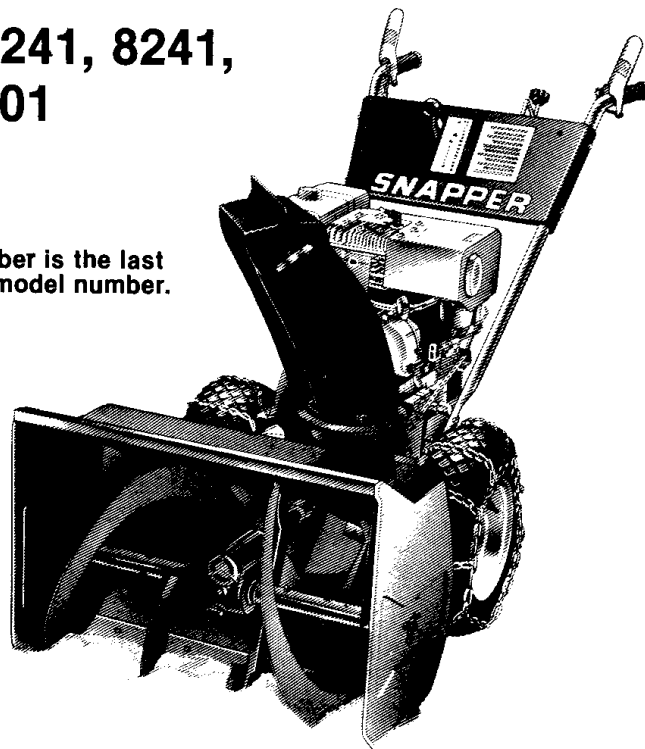
Parts Manual
for

SNAPPER®

TWO-STAGE SNOW THROWERS

MODELS 5241, 8241,
8261, & 10301

NOTE: The Series number is the last numeral in the model number.



IT IS THE POLICY OF SNAPPER POWER EQUIPMENT TO IMPROVE ITS PRODUCTS WHENEVER IT IS POSSIBLE AND PRACTICAL TO DO SO. WE RESERVE THE RIGHT TO MAKE CHANGES OR ADD IMPROVEMENTS AT ANY TIME WITHOUT INCURRING ANY OBLIGATION TO MAKE SUCH CHANGES ON PRODUCTS MANUFACTURED PREVIOUSLY.

SNAPPER POWER EQUIPMENT

McDonough, GA • 30253

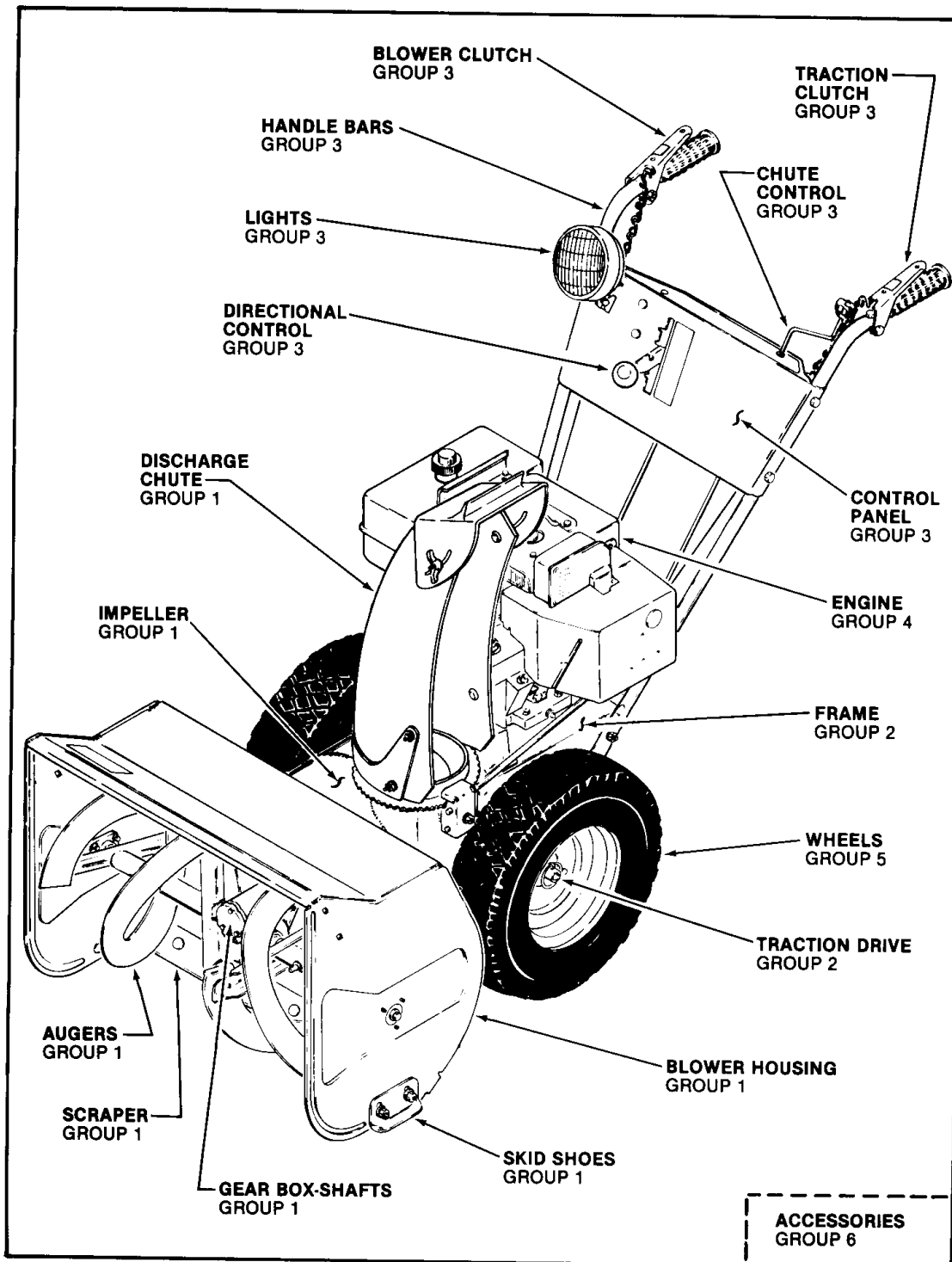


MANUAL #06034

Zweistufige-Schneefräuse Bezeichnung: Snow Thrower Models 5241, 8241, 8261, & 10301 Modell: Jahr:

PARTS GROUP INDEX

SNOW THROWERS

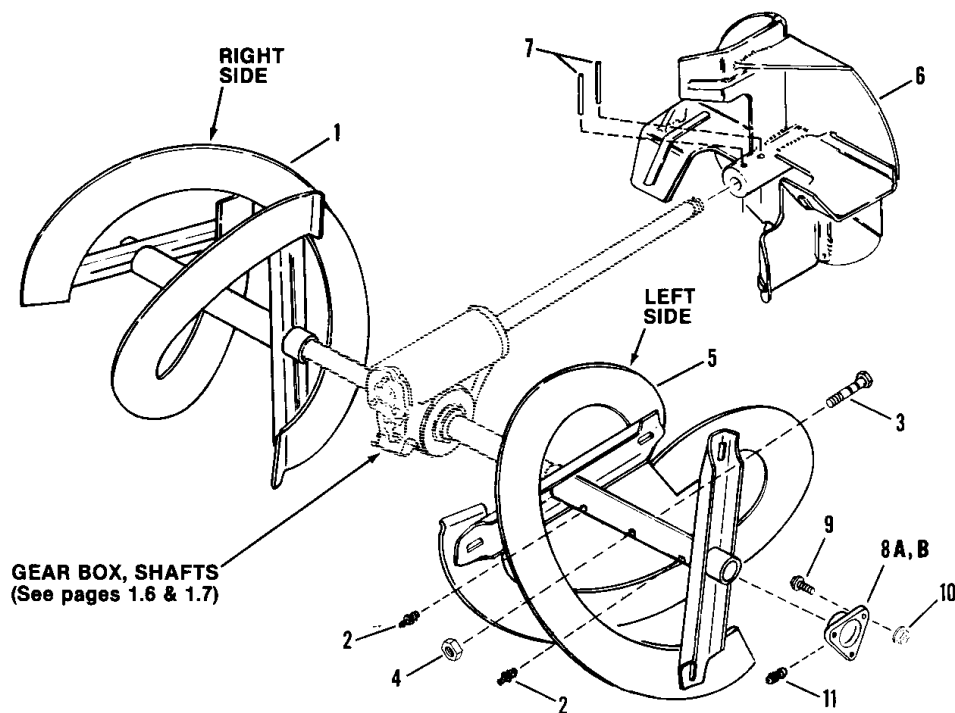


MANUAL #06034 (9/84)

SERIES 1, 2-STAGE S.T.

Zweistufige-Schneefräuse Bezeichnung: Snow Thrower Models 5241, 8241, 8261, & 10301 Modell: Jahr:

AUGERS, IMPELLER



ITEM	PART NO.	DESCRIPTION
1	4-9928	AUGER, Right Side, 24" Units
-	4-9935	AUGER, Right Side, 26" Units
-	4-9922	AUGER, Right Side, 30" Units
2	1-3864	FITTING, Grease (For Augers-items 1&5)
3	1-3865	BOLT, Shear
4	9-0585	NUT, Flange
5	4-9927	AUGER, Left Side, 24" Units
-	4-9936	AUGER, Left Side, 26" Units
-	4-9921	AUGER, Left Side, 30" Units
6	4-9677	FAN, Impeller
7	1-3862	ROLL-PIN, 1/4x1 1/2"
8A	5-1490	ASSEMBLY, Bearing, 24" Units (Includes item #11)
8B	5-1350	ASSEMBLY, Bearing, 26 & 30" Units (Includes item #11)
9	9-0872	BOLT, 1/4x1 1/8" Flange Lock, 24" Units
-	9-0596	BOLT, 1/4x5/8" Flange Lock, 26 & 30" Units
10	9-0771	NUT, 1/4-20 Hex Flange
11	1-0817	FITTING, Grease

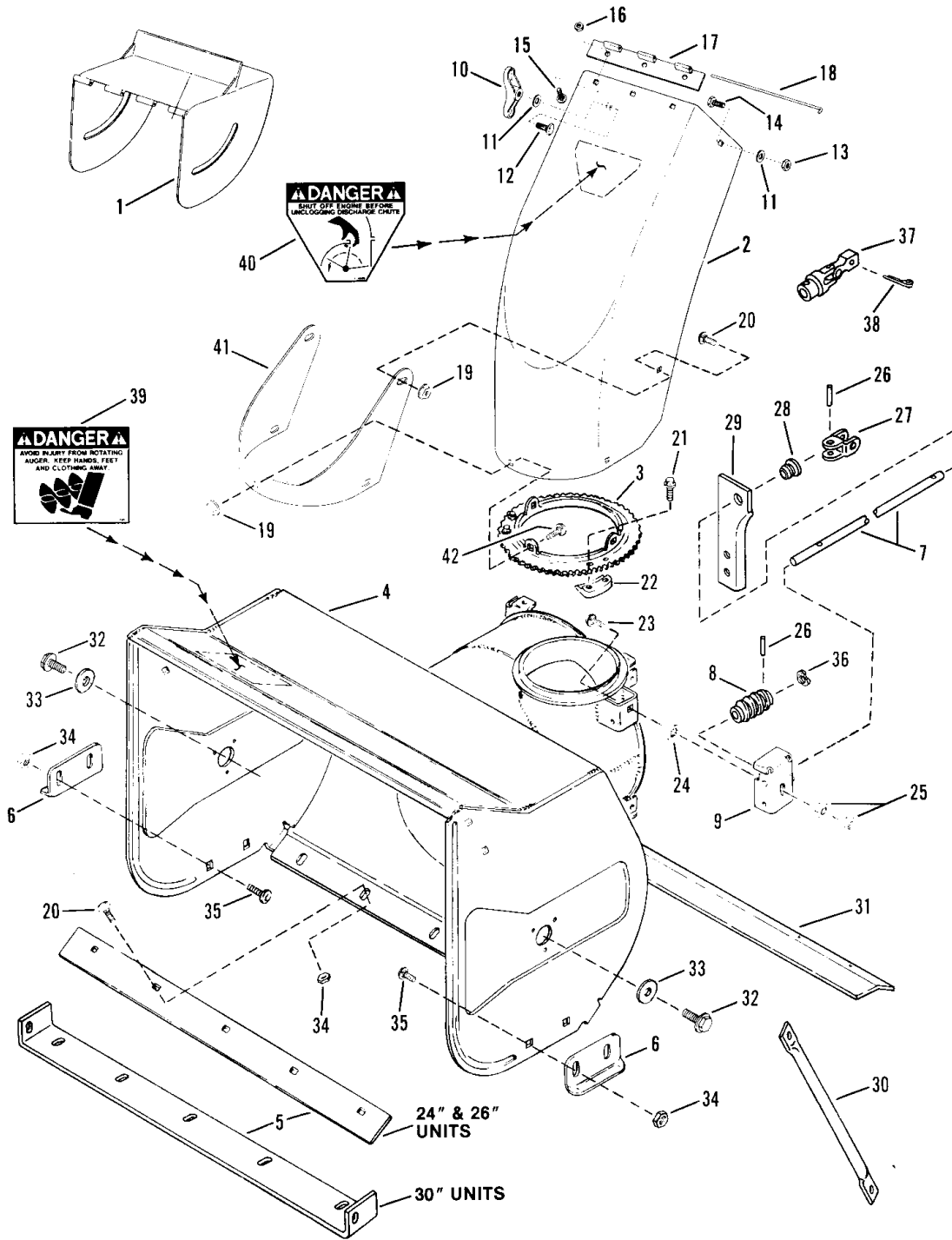
SERIES 1, 2-STAGE S.T.

1.1

(9/84) MANUAL #06034

Zweistufige-Schneefräse Bezeichnung: Snow Thrower Models 5241, 8241, 8261, & 10301 Modell: Jahr:

COLLECTOR HOUSING, DISCHARGE CHUTE



MANUAL #06034 (9/84)

1.2

SERIES 1, 2-STAGE S.T.

COLLECTOR HOUSING, DISCHARGE CHUTE

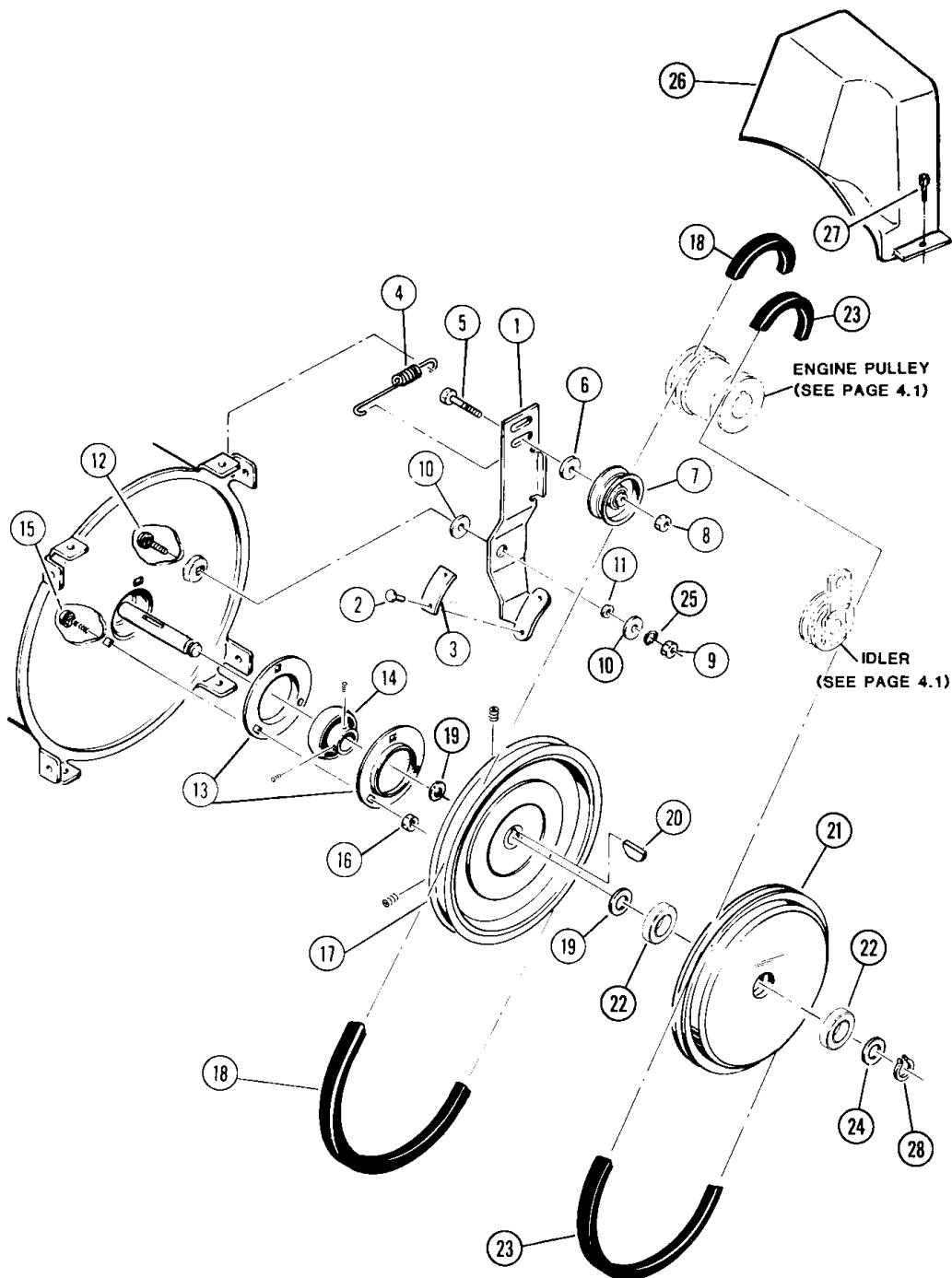
ITEM	PART NO.	DESCRIPTION
1	1-9745	DEFLECTOR, Discharge
2	1-9985	CHUTE, Discharge
3	3-9765	RING, Chute
4	4-9957	HOUSING, Blower - 24" Units
-	4-9909	HOUSING, Blower - 26" Units
-	4-9937	HOUSING, Blower - 30" Units
5	3-6122	BLADE, Scraper - 24" Units
-	3-9770	BLADE, Scraper - 26" Units
-	3-6006	BLADE, Scraper - 30" Units
6	3-7982	SKID-SHOE
7	1-3879	SHAFT, Worm
8	2-1828	WORM
9	3-7963	BRACKET, Worm Shaft
10	1-4468	WING-NUT, 5/16-18
11	9-0188	WASHER, 5/16 SAE
12	9-0605	CARRIAGE BOLT, 5/16-18x5/8"
13	9-0222	LOCKNUT, 5/16-24 Hex
14	9-0233	CAPSCREW, 5/16-24x3/4" Hex Head
15	9-0530	CARRIAGE BOLT, #10-24x1/2"
16	1-2688	LOCKNUT, #10-24 Hex
17	1-4911	HINGE, Chute
18	1-4916	PIN, Hinge
19	9-0585	LOCKNUT, 5/16-18 Hex Flange
20	9-0731	CARRIAGE BOLT, 5/16-18x1/2"
21	9-0363	SCREW, #10Cx1/2" Self-Tapping
22	1-1938	RETAINER (Chute Ring to Housing)
23	9-0208	CARRIAGE BOLT, 5/16Cx1"
24	1-1791	RETAINER, Bolt
25	9-0196	NUT, 5/16C Hex
26	1-4001	ROLL-PIN, 1/8x3/4"
27	3-2126	CONNECTOR (Used on 24" & 26" Units; See item 37 for 30")
28	1-2117	BUSHING
29	3-2125	BRACKET, Worm Shaft Support
30	3-8041	BRACE, Side (30" Units only)
31	3-8009	BAR, Stiffener (30" Units only)
32	9-0815	SCREW, 3/8-18x3/4" Self-Tapping
33	1-3866	WASHER
34	9-0585	LOCKNUT, 5/16-18
35	9-0001	CARRIAGE BOLT, 5/16Cx3/4"
36	1-1079	WASHER, Spring Steel
37	1-4230	UNIVERSAL-JOINT (Used on 30" Models)
38	9-0041	COTTER PIN, 1/8x1"
39	1-4941	DECAL, Danger, Rotating Auger
40	1-4929	DECAL, Danger, Discharge Chute
41	3-6138	BRACE, Chute
42	9-0316	CARRIAGE BOLT, 5/16-18x3/4"

SERIES 1, 2-STAGE S.T.

1.3

(9/84) MANUAL #06034

BELTS, IDLER, DRIVE PLATE, SHEAVE



MANUAL #06034 (9/84)

1.4

SERIES 1, 2-STAGE S.T.

Zweistufige-Schneefräse Bezeichnung: Snow Thrower Models 5241, 8241, 8261, & 10301 Modell: Jahr:

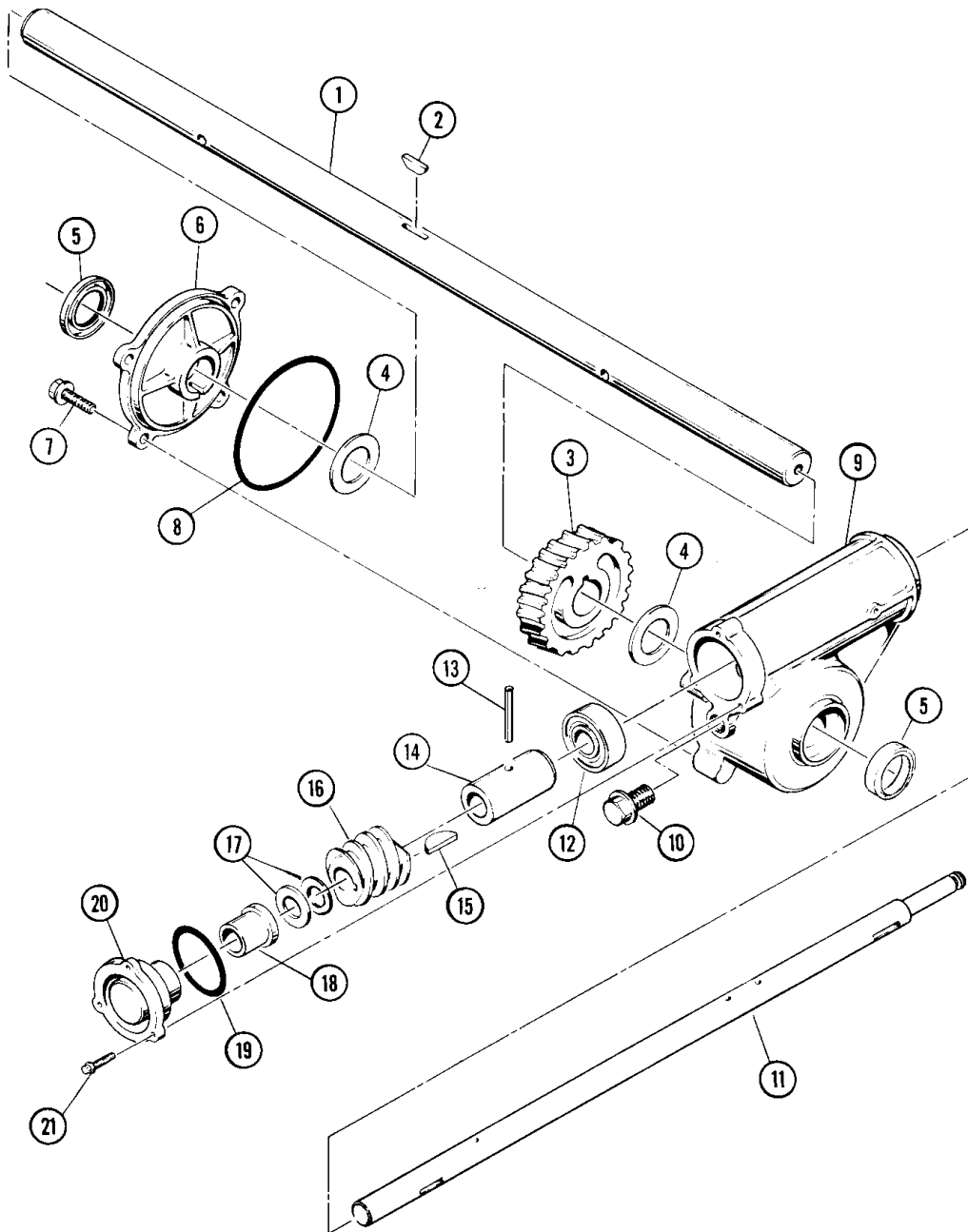
BELTS, IDLER, DRIVE PLATE, SHEAVE

ITEM	PART NO.	DESCRIPTION
1	5-1266	ASSEMBLY, Idler Arm (Includes items 2 & 3)
2	1-3860	RIVET (2)
3	1-3859	PAD, Brake
4	1-3919	SPRING
5	9-0791	CARRIAGE BOLT, 3/8-16x1 1/2"
6	9-0122	WASHER, 3/8 SAE
7	1-3850	PULLEY, Idler
8	9-0499	LOCKNUT, 3/8-16 Hex
9	9-0196	NUT, 5/16-18 Hex
10	1-3848	WASHER
11	1-3849	SPACER
12	9-0383	CARRIAGE BOLT, 5/16Cx1"
13	1-3931	HOUSING, Bearing
14	1-3924	BEARING (Includes setscrews)
15	9-0001	CARRIAGE BOLT, 5/16-18x3/4"
16	9-0585	LOCKNUT, 5/16-18 Hex Flange
17	1-3867	SHEAVE, Blower (Includes setscrews)
18	1-3937	BELT, Blower (All units with B & S Engines)
-	1-3939	BELT, Blower (All units with Tec. Engines)
19	1-3852	WASHER, Thrust
20	1-3861	KEY, #11 Woodruff
21	5-1358	DRIVE-PLATE (Includes item 22)
22	1-4295	BEARING, Ball (2)
23	1-3936	BELT, Traction (All units with B & S Engines)
-	1-3938	BELT, Traction (All units with Tec. Engines)
24	1-4296	WASHER (Used with item 21)
25	9-0187	LOCKWASHER, 5/16 Split
26	1-9689	COVER, Belt Guard
27	9-0302	SCREW, 1/4-20x3/8" Self-Tapping
28	1-0776	RING, Snap (Used with item 21)

*NOTE: Requires #2-7630 Impeller Shaft (Refer to item 11, Page 1.7)

Zweistufige-Schneefr ase Bezeichnung: Snow Thrower Models 5241, 8241, 8261, & 10301 Modell: Jahr:

GEAR BOX, SHAFTS



MANUAL #06034 (9/84)

1.6

SERIES 1, 2-STAGE S.T.

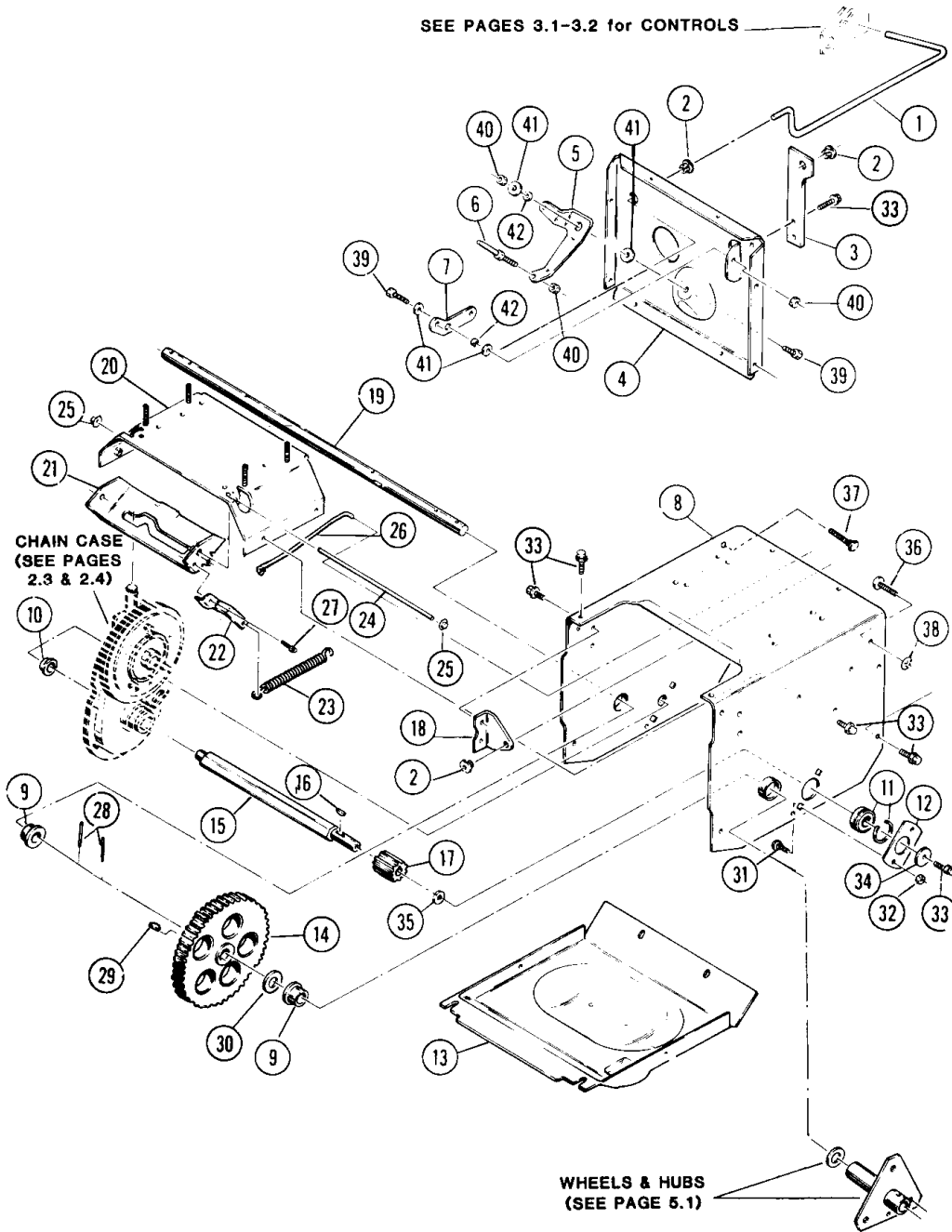
Zweistufige-Schneefräse Bezeichnung: Snow Thrower Models 5241, 8241, 8261, & 10301 Modell: Jahr:

GEAR BOX, SHAFTS

ITEM	PART NO.	DESCRIPTION
1	2-7625	SHAFT, Auger - 24" Units
-	2-7621	SHAFT, Auger - 26" Units
-	2-9552	SHAFT, Auger - 30" Units
2	1-3857	KEY, #A Woodruff
3	5-1305	GEAR, Worm
4	1-3855	WASHER, Thrust
5	1-3858	SEAL, Oil
6	1-8451	COVER, Gear Case
7	9-0290	SCREW, 1/4-20x3/4 Hex Washer Head
8	1-3854	O-RING, Case Cover
9	1-9674	CASE, Gear
10	9-0506	SCREW, 3/8Cx1/2 Hex Head (Used as plug)
11	2-7630	SHAFT, Impeller
12	1-3313	BEARING, Impeller Shaft
13	1-3862	ROLL-PIN, 1/4x 1-1/2
14	1-3856	SPACER, Gear-Bearing
15	1-3861	KEY, #11 Woodruff
16	2-7606	GEAR, Rolled Worm
17	1-0935	WASHER, Thrust
18	1-2252	BUSHING, Impeller Shaft
19	1-3853	O-RING, Case Cap
20	1-8450	CAP, Case
21	9-0363	SCREW, #10-24Cx5/8 Hex Head

Zweistufige-Schneefräuse Bezeichnung: Snow Thrower Models 5241, 8241, 8261, & 10301 Modell: Jahr:

FRAME, TRACTION DRIVE



MANUAL #06034 (9/84)

2.1

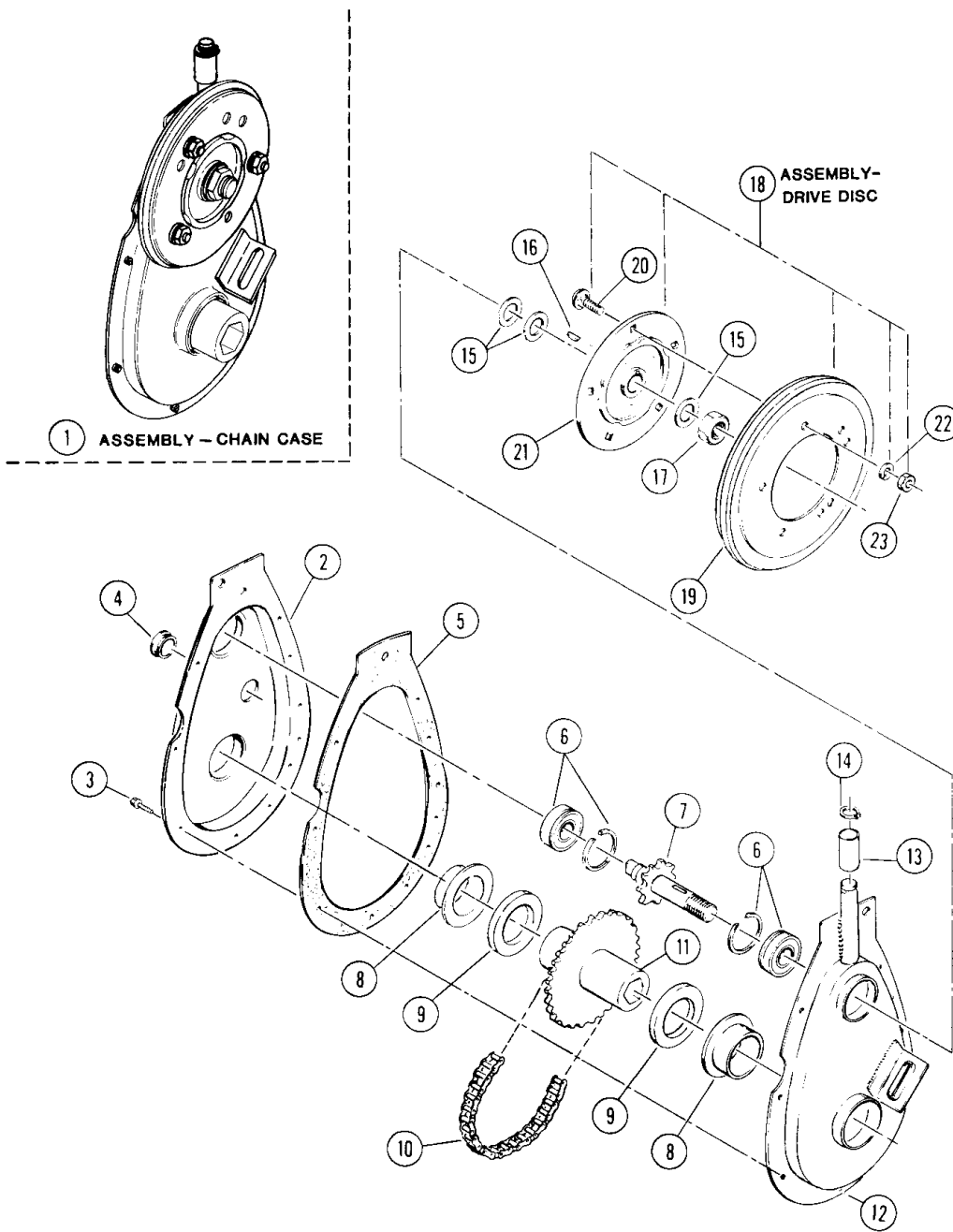
SERIES 1, 2-STAGE S.T.

Zweistufige-Schneefräuse Bezeichnung: Snow Thrower Models 5241, 8241, 8261, & 10301 Modell: Jahr:

FRAME, TRACTION DRIVE

ITEM	PART NO.	DESCRIPTION
1	1-9684	ROD, Activating
2	1-2117	BUSHING
3	3-2125	BRACKET, Support
4	3-9768	COVER, Frame Back
5	3-7967	COVER, Frame Back
6	1-3872	STUD, Shift Lever
7	3-2124	BELL-CRANK, Traction
8	3-9970	FRAME, (Order Items 9 & 10 when replacing)
9	1-3989	BUSHING, Axle Shaft (2)
10	1-3874	BUSHING, Hex Shaft (1)
11	1-0756	BEARING
12	3-2121	RETAINER, Bearing
13	3-9769	COVER, Frame Bottom
14	1-8460	GEAR, Axle Shaft
15	2-7610	HEX-SHAFT
16	1-0614	KEY, Hex Shaft Woodruff
17	1-3884	PINION, Hex Shaft
18	3-2120	BRACKET, Idler Mounting
19	2-9549	AXLE-SHAFT
20	5-7275	BRACE, Frame (For B&S 8HP Engines)
-	5-7277	BRACE, Frame (For Tec. 5HP Engines)
-	5-7276	BRACE, Frame (For Tec. 10HP Engines)
-	5-7367	BRACE, Frame (For B&S 5 HP Engines)
21	3-7965	BRACKET, Clutch
22	3-2130	BRACKET, Spring
23	1-2264	SPRING
24	2-1843	CROSS-SHAFT
25	---	CAP, Push
26	1-3875	PUSH-ROD
27	9-0302	SCREW, 1/4Cx3/8 Self-tapping
28	1-3878	ROLL-PIN, Axle Shaft (2)
29	1-3861	KEY, Axle Shaft Gear Woodruff
30	1-0935	WASHER
31	9-0005	BOLT, 1/4Cx1/2 Carriage (2)
32	9-0771	NUT, 1/4C Flange (2)
33	9-0361	SCREW, 5/16Cx5/8 Self-tapping
34	9-0188	WASHER, 3/8 SAE
35	1-0690	WASHER
36	9-0788	BOLT, 5/16-18 3/4 Carriage (3)
37	9-0790	BOLT, 5/16-18 1-3/8 Carriage (1)
38	1-1791	RETAINER, Bolt (4)
39	9-0206	SCREW, 5/16Cx3/4 Hex Head Cap
40	9-0184	LOCKNUT, 5/16Cx (3)
41	1-3848	WASHER, Flat (4)
42	1-3849	SPACER (2)

CHAIN CASE (TRACTION DRIVE)



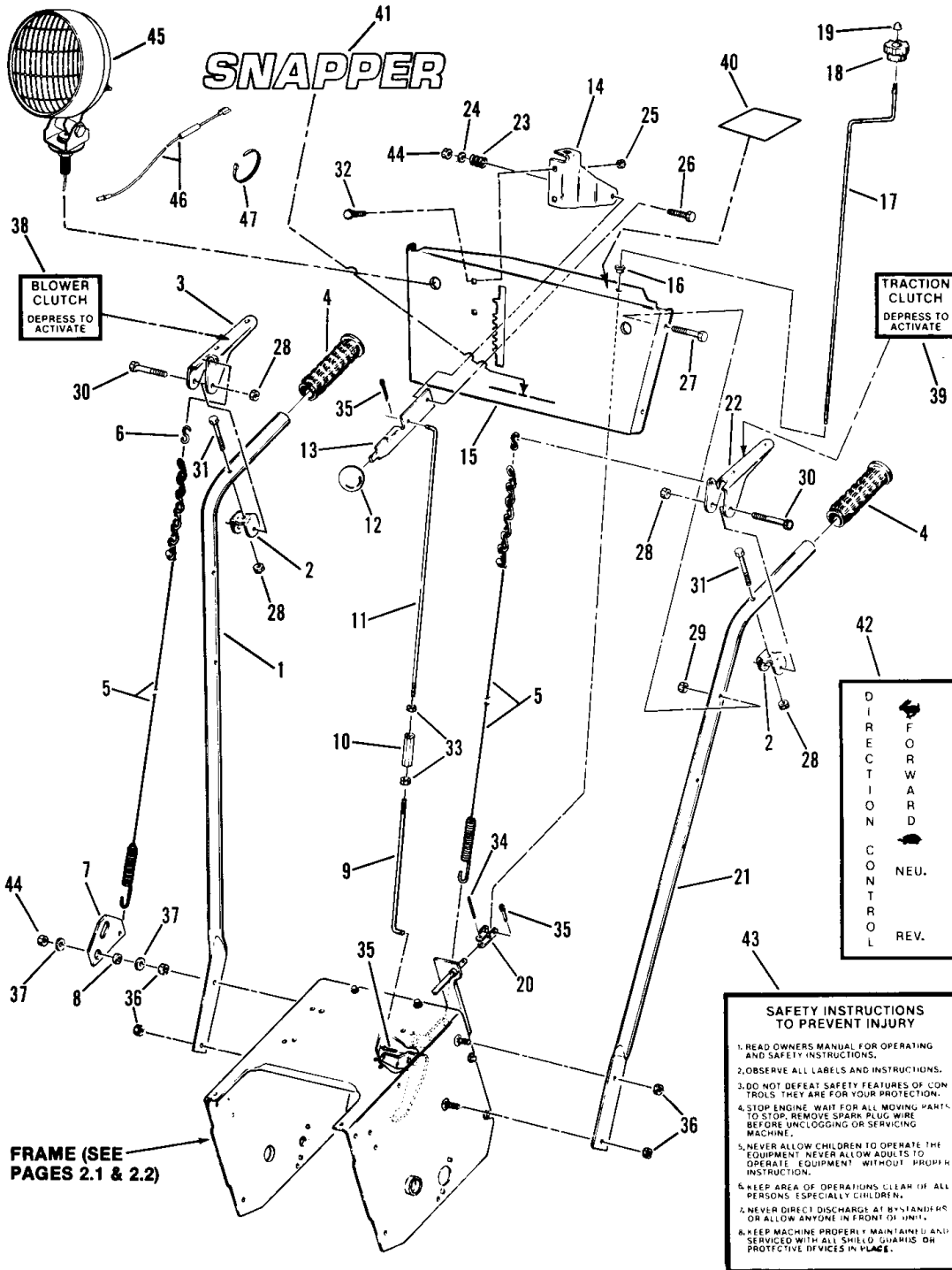
Zweistufige-Schneefräuse Bezeichnung: Snow Thrower Models 5241, 8241, 8261, & 10301 Modell: Jahr:

CHAIN CASE (TRACTION DRIVE)

ITEM	PART NO.	DESCRIPTION
1	5-1269	CHAIN CASE ASSEMBLY (Includes Items 2 thru 23)
2	3-9779	COVER, Sprocket
3	9-0307	SCREW, 10C, 1/2 Hex Head (7)
4	1-1024	PLUG
5	1-8059	GASKET
6	1-0756	BEARING, Ball (2)
7	1-0940	SHAFT & SPROCKET
8	1-3881	BUSHING (2)
9	1-3882	WASHER, Thrust (2)
10	1-0941	CHAIN
11	4-0465	HUB & SPROCKET
12	4-7776	CASE, Sprocket
13	2-0908	ROLLER
14	1-0776	RING, Retaining
15	1-1121	WASHER (3)
16	1-0614	KEY
17	9-0356	LOCKNUT 5/8-18 Hex
18	5-0614	DRIVE DISC ASSEMBLY (Includes Items 19 thru 23)
19	1-0765	DRIVE DISC
20	9-0316	BOLT, 5/16-18x3/4 Carriage (3)
21	2-0911	HUB
22	9-0187	LOCKWASHER, 5/16 Split (3)
23	9-0196	NUT, 5/16-18 Hex (3)

Zweistufige-Schneefräuse Bezeichnung: Snow Thrower Models 5241, 8241, 8261, & 10301 Modell: Jahr:

HANDLES, CONTROLS



MANUAL #06034 (9/84)

3.1

SERIES 1, 2-STAGE S.T.

Zweistufige-Schneefr ase Bezeichnung: Snow Thrower Models 5241, 8241, 8261, & 10301 Modell: Jahr:

HANDLES, CONTROLS

ITEM	PART NO.	DESCRIPTION
1	3-9973	HANDLE BAR, Right Side
2	3-2119	BRACKET, Handle (2)
3	3-9772	HANDLE, Right Side
4	1-1870	GRIP, Handle (2)
5	1-8462	CABLE, Clutch (Includes Chain & Spring)(2)
6	1-3917	S-HOOK (2)
7	3-2131	LEVER, Clutch
8	1-3849	SPACER
9	1-3887	ROD, Lower Shift
10	1-3889	CONNECTOR
11	1-4297	ROD, Upper Shift
12	1-2659	KNOB, Shift Handle
13	4-0503	HANDLE, Shift
14	3-7962	BRACKET, Shift Lever
15	3-5059	PANEL, Control
16	1-2117	BUSHING
17	1-3886	CRANK, Chute (For 24 & 26" Units used with item 20)
—	1-4298	CRANK, (For 30" Units used with U-Joint, item 37, page 1.2)
18	1-3901	KNOB, Chute Crank
19	1-3900	CAP, Push
20	3-2126	CONNECTOR, Chute Crank (Used with 1-3886 Crank only)
21	3-9972	HANDLE BAR, Left Side
22	3-9771	HANDLE, Left Side
23	1-0023	SPRING, Shift Lever
24	9-0188	WASHER, 5/16 SAE
25	9-0771	NUT, Flange (2)
26	9-0240	SCREW, 5/16Cx1 1/4" Hex Head
27	9-0242	CAPSCREW, 5/16Fx1 1/2" Hex Head (4)
28	9-0303	LOCKNUT, 1/4-28 Hex (4)
29	9-0222	LOCKNUT, 5/16-24 Hex (4)
30	9-0112	CAPSCREW, 1/4Cx1/2"(2)
31	9-0552	CAPSCREW, 1/4-28x1 3/8" Hex Head
32	9-0005	CARRIAGE BOLT, 1/4Cx1/2"(2)
33	9-0130	NUT, 3/8-16 Hex (2)
34	1-3877	ROLL-PIN
35	9-0041	COTTER-PIN (3)
36	1-2625	NUT, 5/16 Flange (4)
37	1-3848	WASHER
38	1-3926	DECAL, Blower Clutch
39	1-3925	DECAL, Traction
40	1-4650	DECAL, Chute Control
41	1-8593	DECAL, Snapper
42	1-3927	DECAL, Directional Control
43	1-3928	DECAL, Instruction
44	9-0222	LOCKNUT, 5/16C, Hex
45	1-8698	LIGHT, Assembly (10HP only)(2)
46	1-4936	WIRE HARNESS (10 HP only)
47	1-4940	TIE, Cable (10 HP only)

Zweistufige-Schneefräuse Bezeichnung: Snow Thrower Models 5241, 8241, 8261, & 10301 Modell: Jahr:

ENGINES, PULLEY IDLER

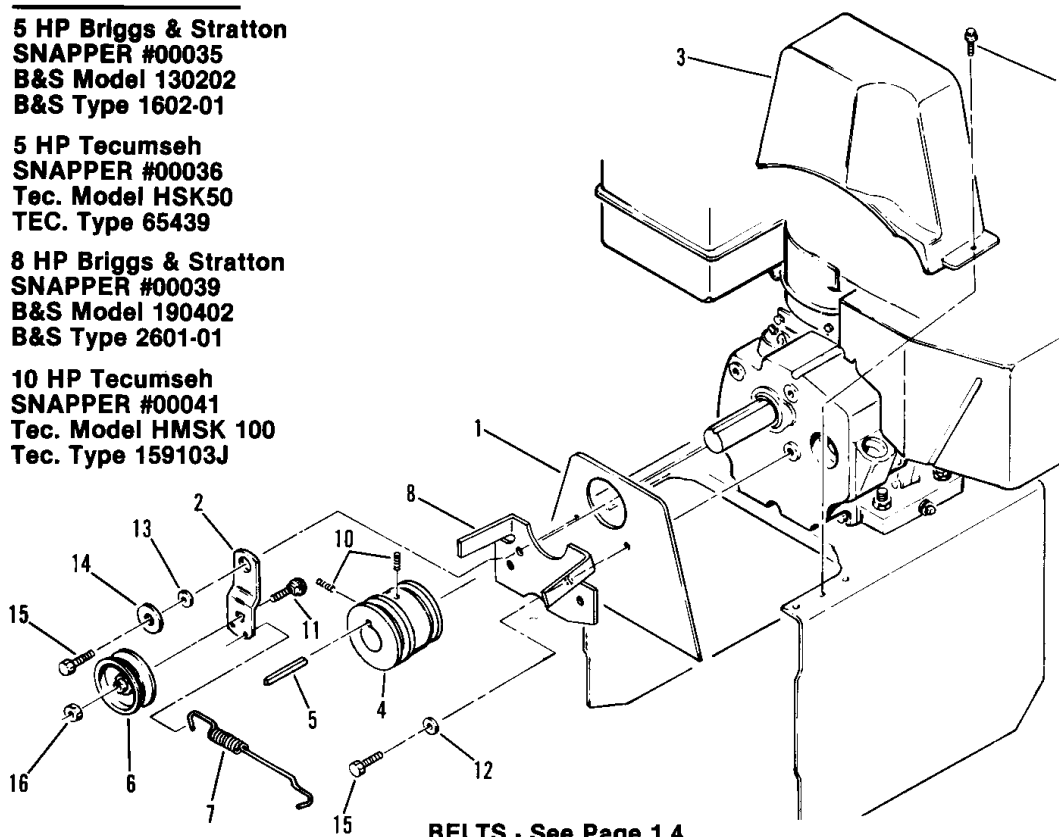
ENGINE SPECS

5 HP Briggs & Stratton
SNAPPER #00035
B&S Model 130202
B&S Type 1602-01

5 HP Tecumseh
SNAPPER #00036
Tec. Model HSK50
TEC. Type 65439

8 HP Briggs & Stratton
SNAPPER #00039
B&S Model 190402
B&S Type 2601-01

10 HP Tecumseh
SNAPPER #00041
Tec. Model HMSK 100
Tec. Type 159103J



BELTS - See Page 1.4

ITEM	PART NO.	DESCRIPTION
1	3-7969	GUARD, Engine
2	3-2128	ARM, Idler
3	1-9689	COVER, BELT
4	1-4145	SHEAVE, Engine (5 & 10 HP Tec. & 8 HP B&S)
-	1-4900	SHEAVE, Engine (5 HP B&S)
5	1-0210	KEY
6	1-3850	IDLER
7	1-3918	SPRING
8	3-2150	FINGER, Belt
9	9-0302	SCREW, 1/4Cx3/8" Hex, Self-Tapping
10	9-0201	SCREW, 5/16-18x5/16" Socket Head
11	9-0791	CARRIAGE BOLT, 3/8-16x1 1/2"
12	9-0188	WASHER, 5/16 SAE
13	1-3849	SPACER
14	1-3866	WASHER
15	9-0227	CAPSCREW, 5/16Fx5/8" Hex Head
16	9-0499	LOCKNUT, 3/8C, Hex

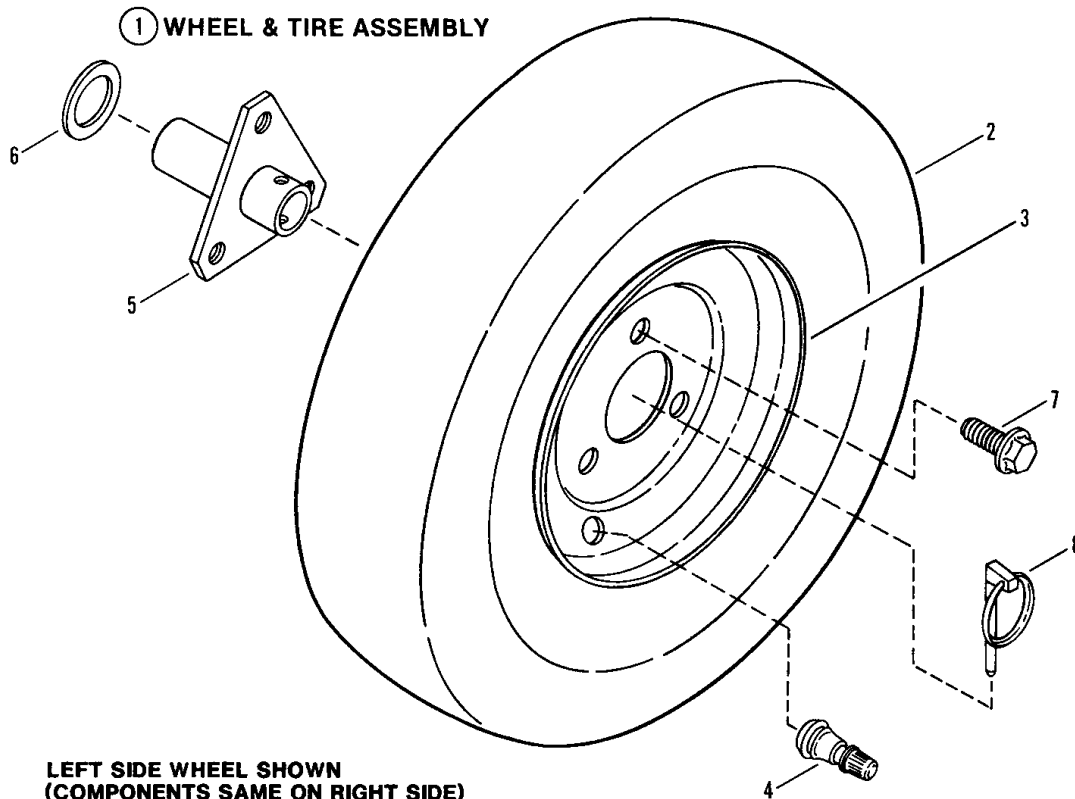
MANUAL #06034 (9/84)

4.1

SERIES 1, 2-STAGE S.T.

Zweistufige-Schneefräse Bezeichnung: Snow Thrower Models 5241, 8241, 8261, & 10301 Modell: Jahr:

WHEELS, HUB



**LEFT SIDE WHEEL SHOWN
(COMPONENTS SAME ON RIGHT SIDE)**

ITEM	PART NO.	DESCRIPTION
1	5-0714	WHEEL & TIRE ASM'Y.-24 & 26" Units (Includes items 2,3,4)
2	1-0524	TIRE, 16x4.80x8, 24 & 26" Units
3	1-2162	RIM, 24 & 26" Units
4	1-2234	VALVE, Snap-in
1	5-0713	WHEEL & TIRE ASM'Y.-30" Units (Includes items 2,3,4)
2	1-1097	TIRE, 16x6.50x8, 30" Units
3	1-2163	RIM, 30" Units
4	1-2234	VALVE, Air (Snap-in)
5	4-0464	HUB, Wheel (Used on right & left side)
6	1-0935	WASHER
7	9-0367	BOLT, Lug, 1/2-20x3/4" HHCS
8	1-2022	RETAINER (Klick-pin)

SERIES 1, 2-STAGE S.T.

5.1

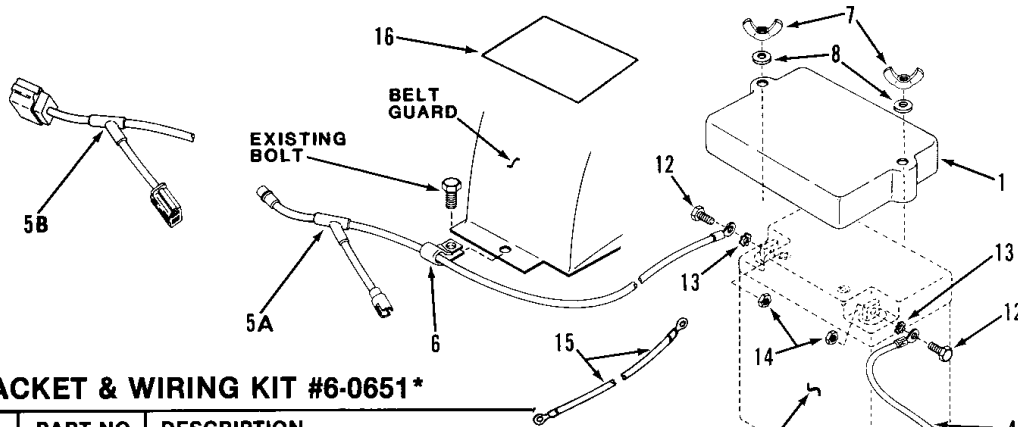
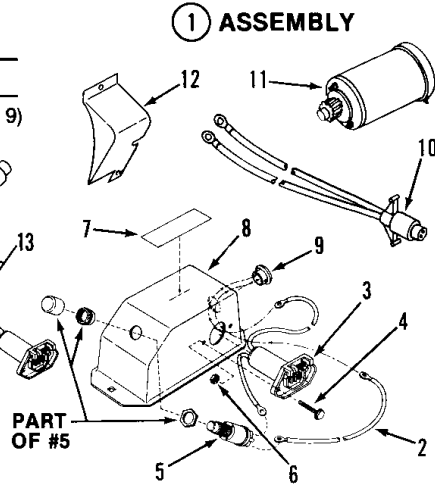
(9/84) MANUAL #06034

Zweistufige-Schneefräse Bezeichnung: Snow Thrower Models 5241, 8241, 8261, & 10301 Modell: Jahr:

ACCESSORIES

#6-0646 12V JUMP START KIT (10 HP TEC.)
#6-0647 12V JUMP START KIT (8 HP B&S)

ITEM	PART NO.	DESCRIPTION
1	5-7372	ASSEMBLY, Switch (Includes items 2 thru 9)
2	1-5003	WIRE, Switch to Starter
3	1-4934	STARTER WIRING ASSEMBLY
4	9-0363	CAPSCREW, #10x5/8", Hex Head
5	1-2623	SWITCH, Pushbutton Start
6	1-2688	NUT, #10 "Whiz-Loc"
7	1-2639	DECAL, "Push to Start"
8	1-9757	COVER, Switch
9	1-4386	BUSHING (Heyco)
10	1-4933	PLUG, Auto Battery
11	1-4220	STARTER MOTOR (TEC.)
-	1-4223	STARTER MOTOR (B&S)
12	1-4222	SHIELD, Starter Motor (B&S)
13	1-4935	STARTER WIRING ASSM'Y. (Remote)



BRACKET & WIRING KIT #6-0651*

ITEM	PART NO.	DESCRIPTION
1	1-9751	COVER, Battery
2	3-8166	BRACKET, Mounting
3	1-4910	CLAMP, Battery
4	1-1859	WIRE, Ground
5A	1-8701	WIRE, Charging (B&S)
5B	1-8702	WIRE, Charging (TEC.)
6	1-4951	CLIP, Harness
7	9-0311	WING-NUT, 1/4-20 (2)
8	9-0055	WASHER, Flat (2)
9	9-0204	CAPSCREW, 5/16-18x5/8" (2)
10	9-0184	LOCKNUT, 5/16-18 (2)
11	9-0189	LOCKWASHER, 5/16 Int./Ext. Tooth (2)
12	9-0411	CAPSCREW, #10x1/2" (2)
13	9-0601	LOCKWASHER, #10 Ext. Tooth (2)
14	1-2688	LOCKNUT, #10 Hex Flange (2)
15	1-5008	WIRE, Battery to Switch
16	1-5009	DECAL, Charging Instructions

*MUST BE USED WITH 6-0646 OR 6-0647
 **MUST BE USED WITH 6-0646 OR 6-0647 AND 6-0651

MANUAL #06034 (9/84)

6.1

SERIES 1, 2-STAGE S.T.

Zweistufige-Schneefräuse Bezeichnung: Snow Thrower Models 5241, 8241, 8261, & 10301 Modell: Jahr:

ACCESSORIES

HARDWARE BAG KIT #6-0471

PART NO.	DESCRIPTION
1-3848	WASHER, Flat (2)
1-3849	SPACER
1-3865	BOLT, Shear (2)
1-3889	CONNECTOR
1-3917	HOOK, "S" (2)
1-8462	CABLE, Clutch
3-2131	LEVER, Clutch
9-0037	PIN, Cotter, 3/32x3/4"
9-0041	PIN, Cotter, 1/8x1"
9-0130	NUT, 3/8-16 Hex
9-0184	LOCKNUT, 5/16-18 Hex
9-0222	LOCKNUT, 5/16-24 Hex (4)
9-0242	CAPSCREW, 5/16-24x1 1/2" Hex (4)
9-0316	CARRIAGE BOLT, 5/16-18x3/4" (3)
9-0585	LOCKNUT, 5/16-18 Hex Flange (11)
9-0605	CARRIAGE BOLT, 5/16-18x5/8" (2)

ELECTRIC START KITS

KIT NO.	TYPE	FOR
6-0463	120 VOLT-GEAR	5 HP TEC.
6-0464	120 VOLT-GEAR	8 HP B&S
6-0475	120 VOLT-GEAR	5 HP TEC.(Canada)
6-0637	120 VOLT-GEAR	10 HP TEC.
6-0645	120 VOLT-GEAR	10 HP TEC.(Canada)
6-0649	120 VOLT-GEAR	5 HP B&S

**LIGHT KIT #6-0650 (Includes)
For 8 HP**

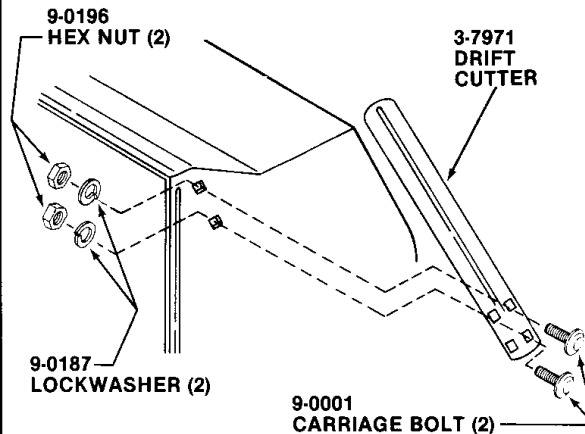
PART NO.	DESCRIPTION
1-8698	LIGHT, Assembly
1-4936	WIRE HARNESS
1-4940	TIE, Cable

(Shown on Page 3.1 as items 45,46,47)

HARDWARE BAG KIT #6-0518

PART NO.	DESCRIPTION
1-1714	PIN, Hair (2)
1-2420	PIN, Hair (2)
1-3919	SPRING, Extension
1-4233	CONNECTOR, Wire (2)
1-4243	PIN, Clevis, 5/8x1 1/8" (2)
9-0041	PIN, Cotter, 1/8x1"
9-0111	CAPSCREW, 1/4-28x1 3/4" Hex Head
9-0183	WASHER, Flat
9-0184	LOCKNUT, 5/16-18 Hex (7)
9-0500	WASHER, Flat (2)
9-0585	LOCKNUT, 5/16-18 Hex Flange (3)
9-0731	CARRIAGE BOLT, 5/16-18x1/2" (3)
9-0741	SCREW, 1/4-20x5/8" Self-Tapping (4)

DRIFT CUTTER KIT #6-0472

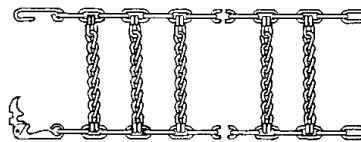


NO'S 9-0001, 9-0196, 9-0187
(INCLUDED IN HARDWARE BAG #6-0502)

HARDWARE BAG KIT #6-0543

PART NO.	DESCRIPTION
1-3848	WASHER, Flat (2)
1-3849	SPACER
1-3865	BOLT, Shear (2)
1-3889	CONNECTOR
1-3917	HOOK, "S" (2)
1-8462	CABLE, Clutch
3-2131	LEVER, Clutch
3-7982	SKID-SHOE
9-0001	CARRIAGE BOLT, 5/16-18x3/4"
9-0037	PIN, Cotter, 3/32x3/4"
9-0041	PIN, Cotter, 1/8x1"
9-0130	NUT, 3/8-16 Hex
9-0184	LOCKNUT, 5/16-18 Hex
9-0222	LOCKNUT, 5/16-24 Hex (4)
9-0242	CAPSCREW, 5/16-24x1 1/2" Hex (4)
9-0307	SCREW, #10Cx1/2" Self-Tapping (2)
9-0316	CARRIAGE BOLT, 5/16-18x3/4" (3)
9-0585	LOCKNUT, 5/16-18 Hex Flange (15)
9-0605	CARRIAGE BOLT, 5/16-18x5/8" (2)

**TIRE CHAIN KITS
#6-0049 (5 & 8 HP)
#6-0653 (10 HP)**



(EACH KIT INCLUDES 2 CHAINS)

SERIES 1, 2-STAGE S.T.

6.2

(9/84) MANUAL #06034

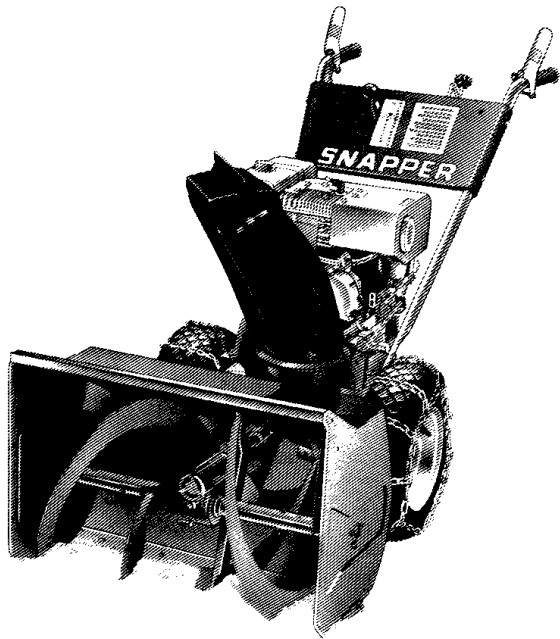
Zweistufige-Schneefräuse Bezeichnung: Snow Thrower Models 5241, 8241, 8261, & 10301 Modell: Jahr:

Parts Manual for

SNAPPER®

TWO-STAGE

SNOW THROWERS



SNAPPER POWER EQUIPMENT
McDonough, GA • 30253



MANUAL #06034

Printed in U.S.A.