

Parts Manual for

SNAPPER®

2811X6S, 2812X6S

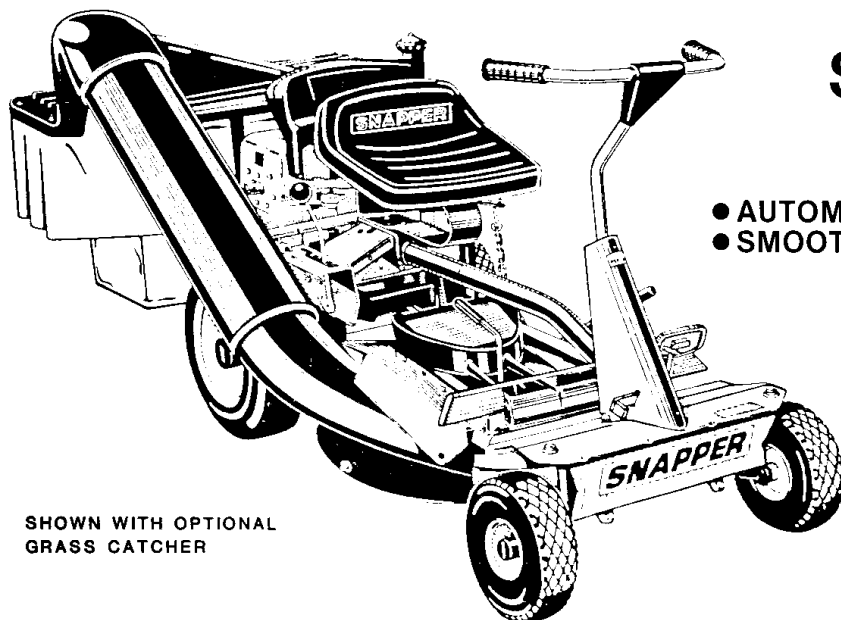
3011X6S, 3012X6S

3311X6S, 3312X6S

4111X6S, 4112X6S

EXTRA TOUGH REAR-ENGINE RIDING MOWERS

SERIES 6



SHOWN WITH OPTIONAL
GRASS CATCHER

- AUTOMATIC BLADE STOP
- SMOOTH START CLUTCH

NOTE: The Series number is the last numeral in the model number.

SNAPPER POWER EQUIPMENT

McDonough, GA • 30253

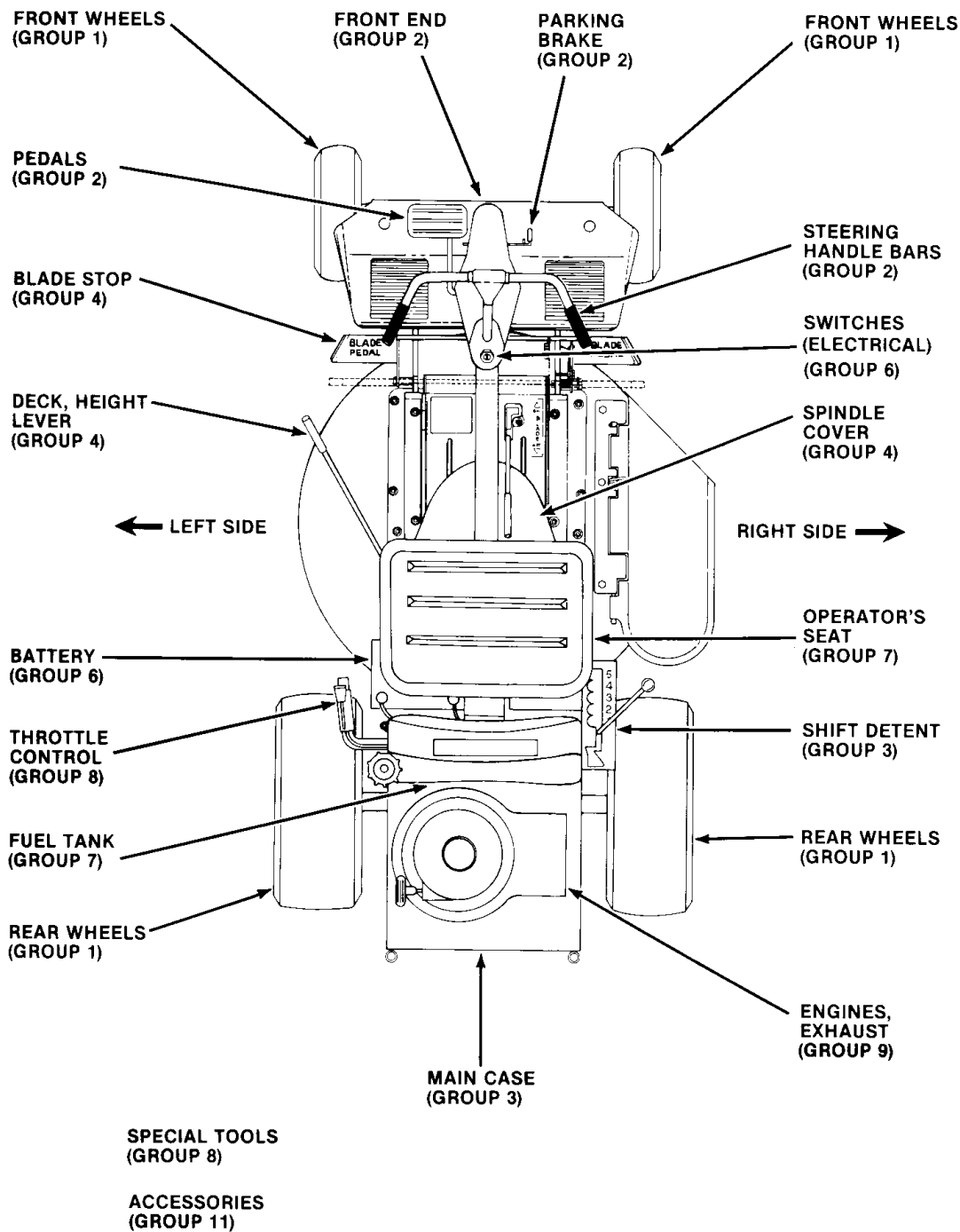


(REV. 6/88)

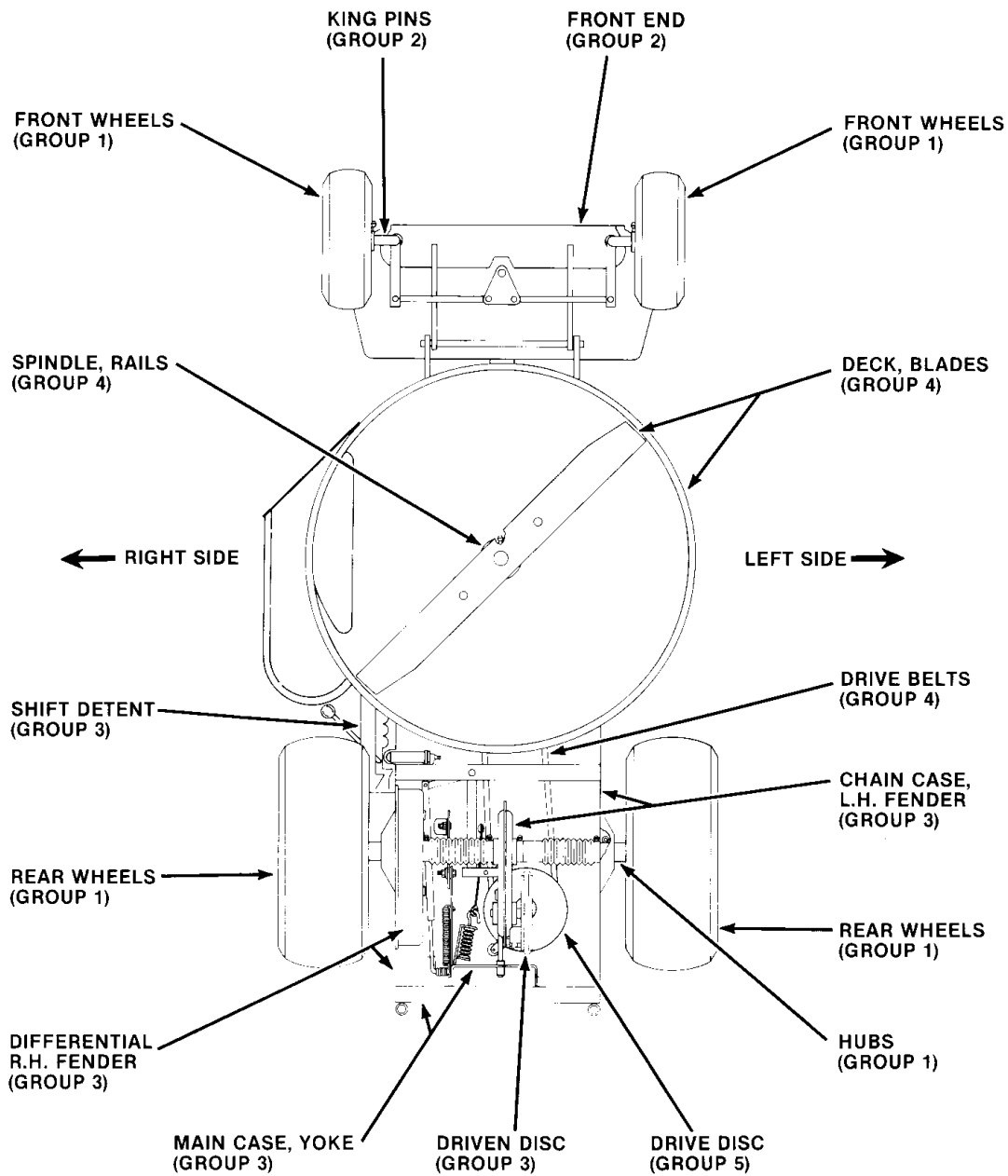
(REPLACES 9/86)

MANUAL #06092

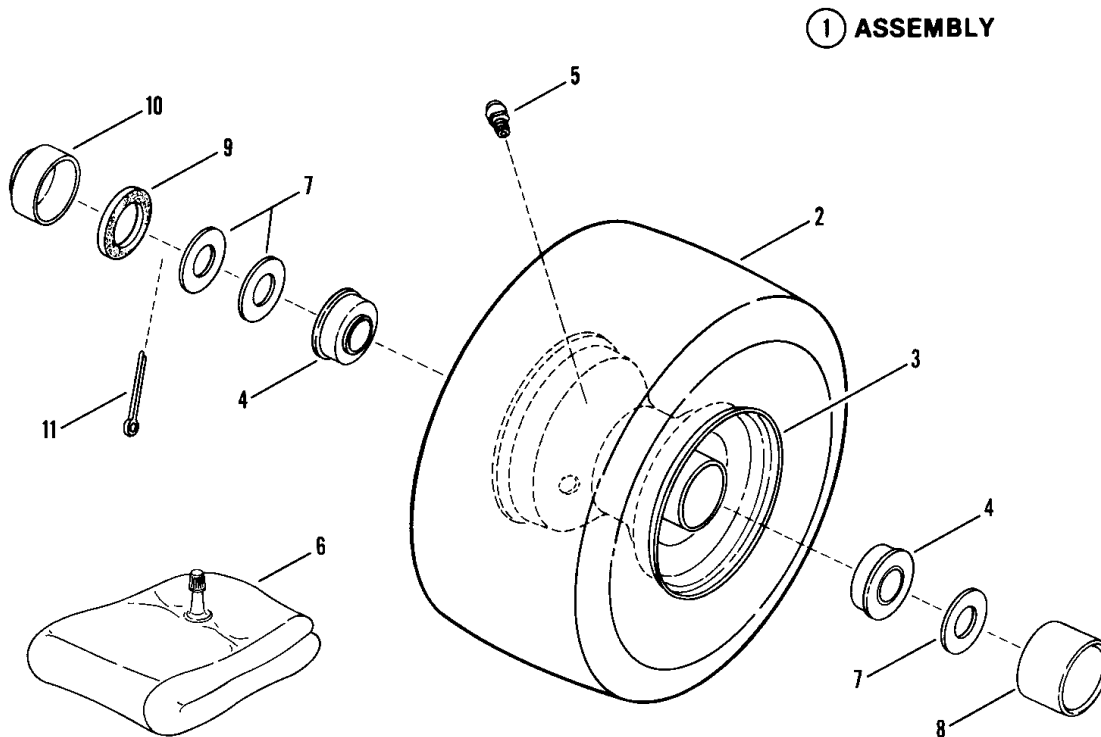
INDEX (TOP VIEW)



INDEX (BOTTOM VIEW)

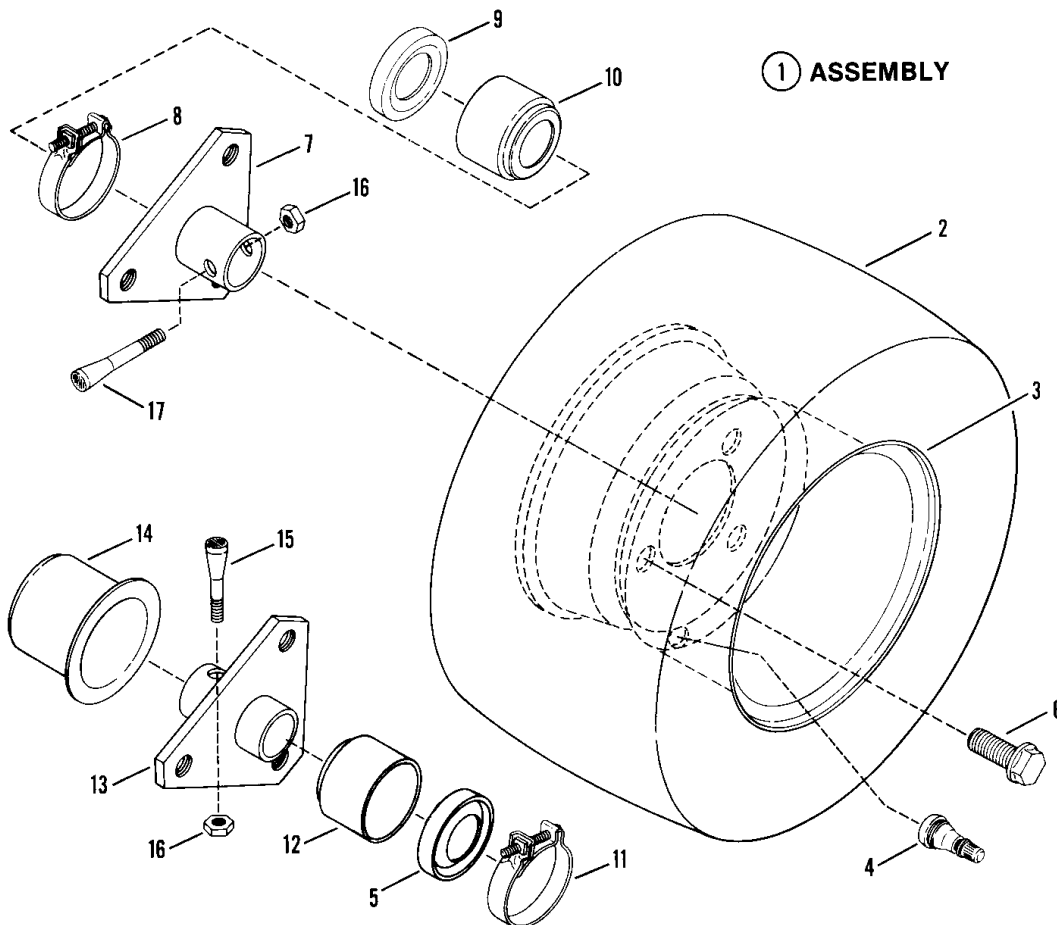


WHEELS - FRONT



ITEM	PART NO.	DESCRIPTION
1	5-1449	ASSEMBLY, Front Tire & Rim (Includes items 2 thru 6)
2	1-0820	TIRE, 4.10/3.50x4
3	1-0819	RIM, (For 4.10/3.50x4 Tire) (Includes items 4 & 5)
4	1-1807	BEARING, Ball (2)
5	1-4247	FITTING, Lube
6	1-0821	TUBE, Inner (For 4.10/3.50x4 Tire)
7	1-0935	WASHER, (3)
8	1-1022	HUB-CAP
9	1-1032	SEAL, Felt
10	3-1038	CAP, Dust
11	9-0364	COTTER-PIN

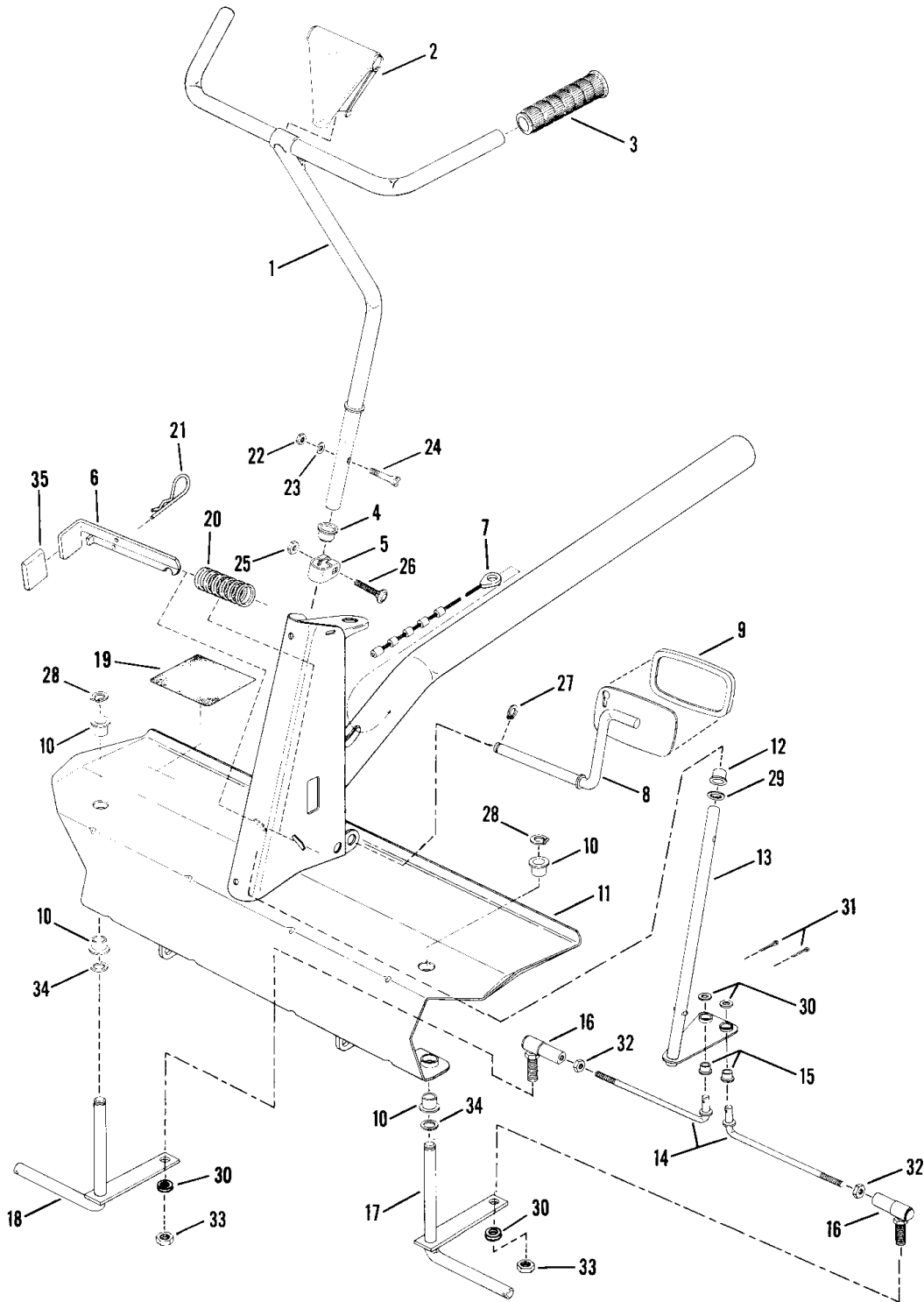
WHEELS - REAR



① ASSEMBLY

ITEM	PART NO.	DESCRIPTION
1	5-1718	ASSEMBLY, Rear Tire & Rim (Includes items 2,3,&4)
2	1-5968	TIRE, Wide, 16/6.50x8
3	1-2163	RIM, Wide (For 16/6.50x8 Tire)
4	1-2234	VALVE, Air (Snap-in)
5	1-4662	SEAL, Oil Left Hand
6	9-0367	BOLT, 1/2-20x3/4" Lug (6)
7	4-0433	HUB, Rear Wheel, Right Hand
8	1-4542	CLAMP, Right Hand
9	1-1817	SEAL, Oil, Right Hand
10	1-4541	BOOT, Right Hand
11	1-2332	CLAMP, Left Hand
12	1-4658	BOOT, Left Hand
13	4-0434	HUB, Rear Wheel, Left Hand
14	1-1052	HUB-CAP, Left Hand
15	1-1035	BOLT, 5/16-24x1-5/8" Tapered, Left Hand
16	1-1201	NUT, 5/16-24 Lock
17	1-1013	BOLT, 5/16-24x2" Tapered, Right Hand

FRONT END - STEERING



MANUAL #06092 (REV. 6/88)

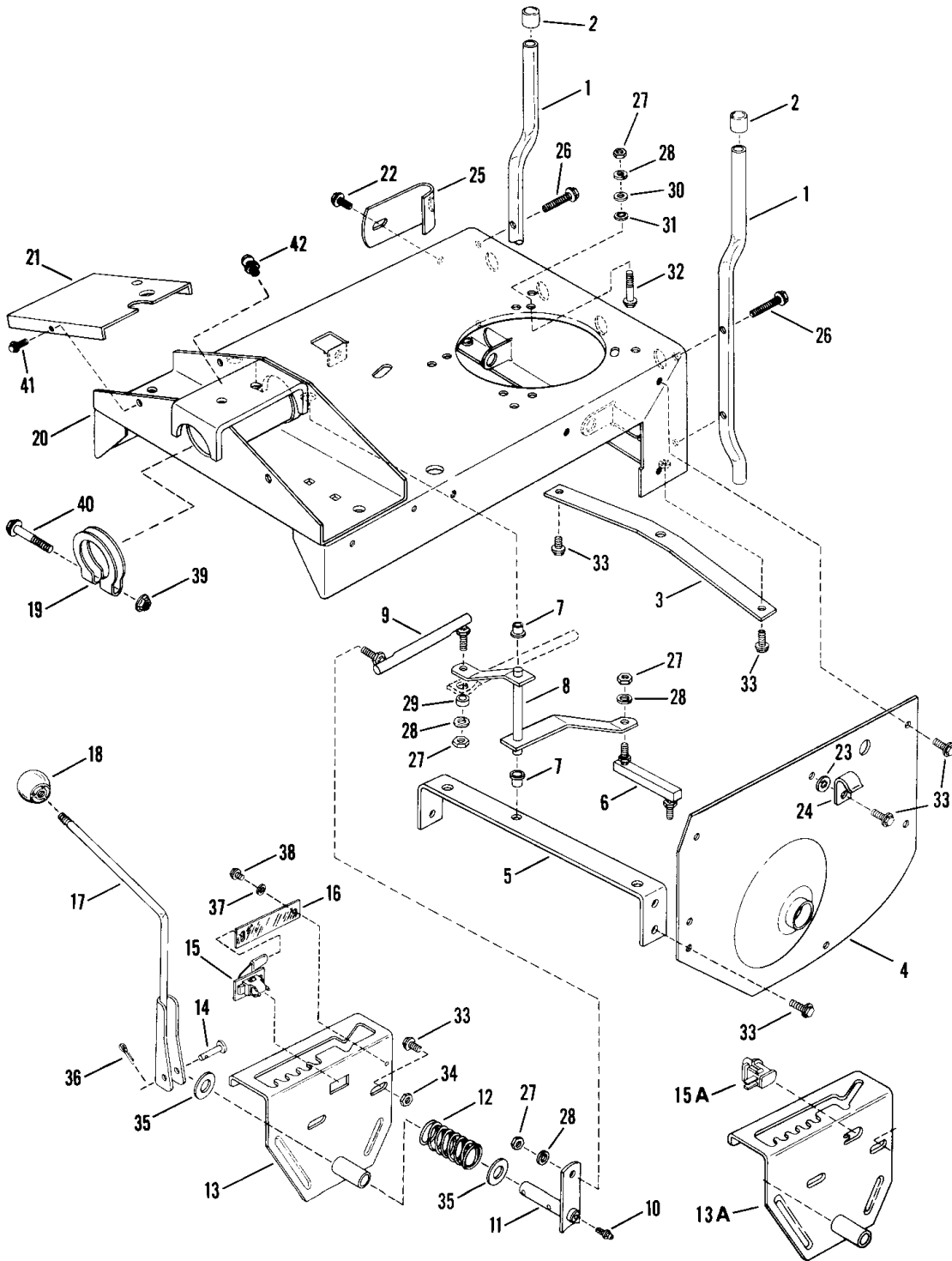
2.1

EXTRA TOUGH SERIES 6

FRONT END - STEERING

ITEM	PART NO.	DESCRIPTION
1	1-9669	HANDLE, Steering
2	1-9517	COVER, Handle
3	1-2031	GRIP, Handle (2)
4	1-2617	BUSHING, Nylon
5	3-2009	CLAMP, Steering
6	3-8243	LATCH
7	1-5477	CABLE, Clutch/Brake 33 & 41"
-	1-5476	CABLE, Clutch/Brake 28 & 30"
8	4-7888	PEDAL, Clutch/Brake
9	1-1815	PAD, Clutch/Brake Pedal
10	1-0986	BEARING (4)
11	4-9975	STRUCTURE, Front Axle (33 & 41")
-	4-9974	STRUCTURE, Front Axle (28 & 30")
-	4-9985	STRUCTURE, Front Axle (Robin Only)
12	1-0694	BUSHING, Nylon
13	4-0457	SHAFT, Steering
14	1-4626	TIE-ROD 33 & 41" (2)
-	1-4987	TIE-ROD 28 & 30" (2)
15	1-3321	BUSHING, Tie-Rod
16	1-0745	BALL-JOINT (2)
17	4-0362	KING-PIN, Left Hand
18	4-0361	KING-PIN, Right Hand
19	1-4049	PAD, Foot 28 & 30"
-	1-4048	PAD, Foot 33 & 41"
20	1-5444	SPRING
21	1-1714	PIN, Hair
22	9-0095	NUT, 1/4-28 Hex
23	9-0053	WASHER, 1/4 Internal Tooth Lock
24	1-2175	BOLT, 1/4-28 Tapered Head
25	9-0196	NUT, 5/16-18 Hex
26	9-0577	BOLT, 5/16-18x1 1/2" Carriage
27	1-0776	RING, Retaining
28	1-0746	RING, Retaining
29	9-0183	WASHER, 5/8 Flat
30	9-0122	WASHER, 3/8 Flat (4)
31	9-0365	COTTER-PIN, 1/8x3/4 (2)
32	9-0155	NUT, 3/8-24 Hex (2)
33	9-0289	NUT, 3/8-24 Hex Lock (2)
34	1-0935	WASHER, 3/4 Flat (2)
35	1-5429	CAP, Parking Brake Lever

MAIN CASE



MANUAL #06092 (REV. 6/88)

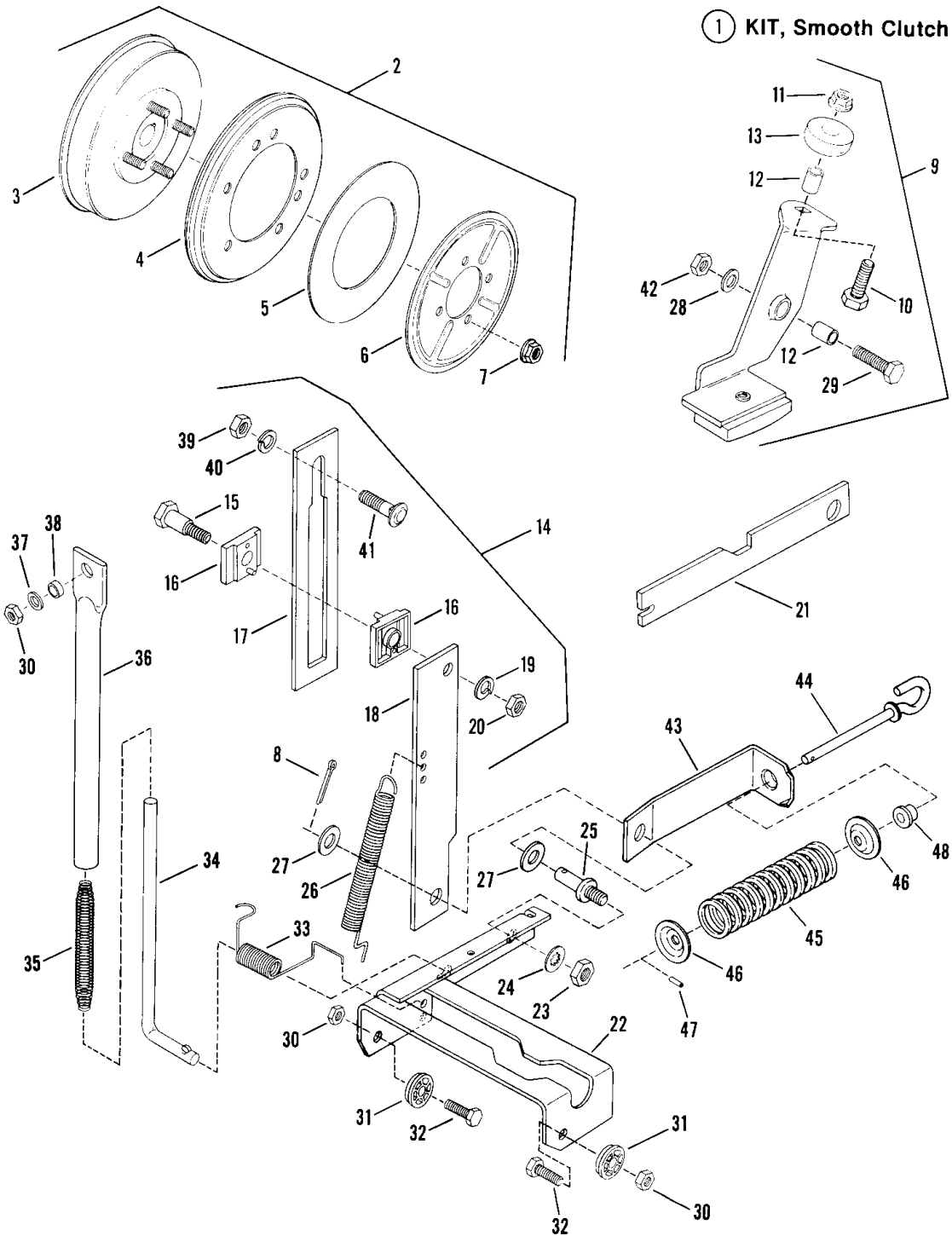
3.1

EXTRA TOUGH SERIES 6

MAIN CASE

ITEM	PART NO.	DESCRIPTION
1	3-0798	BUMPER, Rear (2)
2	1-0153	CAP, Bumper (2)
3	3-1063	PLATE, Hitch
4	3-7958	FENDER, Left Hand
5	3-7291	BRACE, Cross
6	1-1018	LINK, Shift, Short
7	1-1016	BUSHING, Nylon (2)
8	4-0340	ARM, Shift
9	1-1017	LINK, Shift, Long
10	1-0817	FITTING, Lube
11	4-0341	ARM, Shift Handle
12	1-0754	SPRING, Shift Handle
13	4-0536	DETENT, Shift ('87 & Earlier Models)
13A	4-0546	DETENT, Shift ('88 & Later Models)
14	1-1021	CLEVIS-PIN, 3/8x1 1/4"
15	5-0681	SWITCH, Interlock, Assembly ('87 & Earlier Models)
15A	1-5707	SWITCH, Interlock ('88 & Later Models)
16	3-1861	PROTECTOR, Switch ('87 & Earlier Models)
17	4-0284	HANDLE, Shift
18	1-4501	KNOB, Shifter BALL
19	3-1100	CLAMP, Main Tube
20	4-9737	MAIN CASE
21	3-8240	PANEL, Switch
22	9-0368	SCREW, 5/16-18x3/4" Self-Tapping
23	9-0391	WASHER, 5/16 Internal Tooth
24	1-2652	CLIP, Wiring
25	3-1954	SUPPORT, Bumper
26	9-0484	SCREW, Self-Tapping, 5/16-18x1 1/2"
27	9-0223	NUT, 5/16-24 Hex (4)
28	9-0187	WASHER, 5/16 Split Lock (4)
29	1-1968	ROLLER
30	9-0188	WASHER, 5/16 Flat (4)
31	1-1791	RETAINER, Bolt (4)
32	9-0242	SCREW, 5/16-24x1 1/2" Hex Cap
33	9-0361	SCREW, 5/16-18x5/8" Self-Tapping
34	9-0196	NUT, 5/16-18 Hex
35	3-1036	WASHER, Thrust
36	9-0037	PIN, 3/32x3/4" Cotter
37	9-0010	WASHER, #10 Flat ('87 & Earlier Models)
38	9-0307	SCREW, #10-24x1/2" Hex, Self-Tapping ('87 & Earlier Models)
39	9-0480	NUT, 5/16-24 Hex Flange Lock
40	9-0358	SCREW, 5/16-24x2 1/2" Hex Cap
41	9-0539	SCREW, 1/4-20x1/2" Self-Tapping
42	1-4871	FITTING, Lube

SMOOTH CLUTCH ASSEMBLY



MANUAL #06092 (REV. 6/88)

3.3

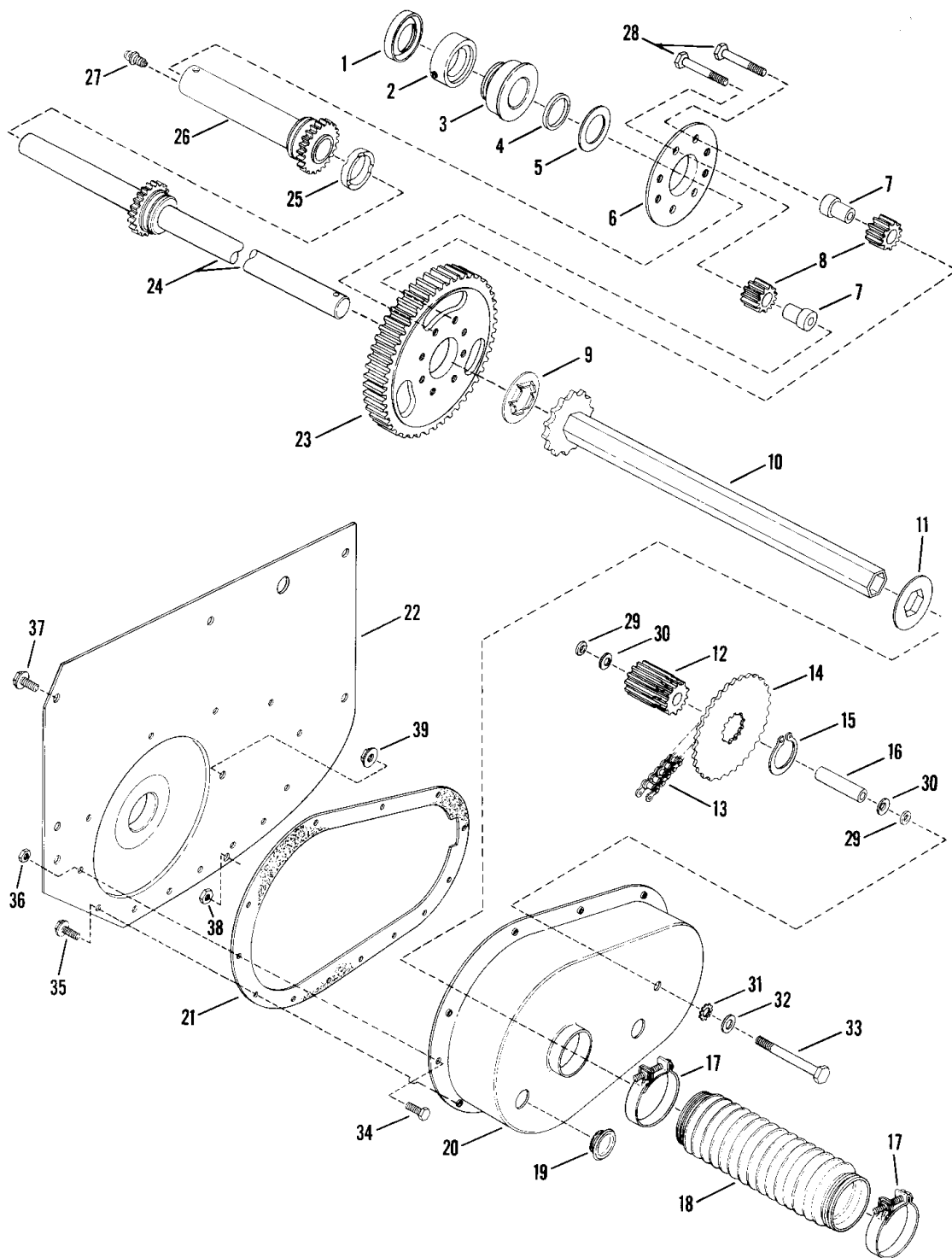
EXTRA TOUGH SERIES 6

SMOOTH CLUTCH ASSEMBLY

ITEM	PART NO.	DESCRIPTION
1	-	KIT, Smooth Clutch (Includes items 2 thru 27)
*2	-	ASSEMBLY, Smooth Clutch (Includes items 3 thru 7)
3	5-7338	HUB, Driven Disc
4	5-7337	DISC, Driven
5	1-4523	WASHER, Thrust
6	3-2331	PLATE
7	9-0585	NUT, 5/16-18 Hex Flange Lock
8	9-0038	COTTER-PIN 3/32x1"
9	5-1603	ASSEMBLY, Brake Lever (Includes items 10 thru 13)
10	9-0073	SCREW, 1/4-20x3/4" Hex Head Cap
11	9-0477	NUT, 1/4-20 Hex Flange Lock
12	1-0916	SPACER
13	1-5278	ROLLER, Brake
14	5-1474	ASSEMBLY, Guide & Link (Includes items 15 thru 20)
15	1-4664	BOLT, 5/16-18 Shoulder
16	1-4663	SIDE HALF
17	3-2370	GUIDE, Clutch Link
18	3-2371	LINK, Clutch
19	9-0187	WASHER, 5/16 Split Lock
20	9-0196	NUT, 5/16-18 Hex
21	3-2392	TOOL, Smooth Clutch
22	4-7887	LIFT, Yoke (Not included in kit)
23	9-0155	NUT, 3/8 Hex
24	9-0390	WASHER, 3/8 Internal Tooth Lock
25	1-5464	STUD, Clutch Link
26	1-3885	SPRING, Clutch Brake
27	9-0122	WASHER, 3/8 Flat
28	9-0055	WASHER, 1/4" Flat
29	9-0535	SCREW, 1/4-28x1" Hex Head Cap
30	9-0222	NUT, 5/16-24 Hex CenterLock
31	1-1048	BEARING, Yoke
32	9-0233	CAPSCREW, 5/16-24x3/4" Hex Head Cap
33	1-1821	SPRING
34	3-1729	ROD
35	1-4771	SPRING
36	2-1706	TUBE
37	9-0188	WASHER, 5/16 Flat
38	1-1968	ROLLER
39	9-0130	NUT, 3/8-16 Hex
40	9-0118	WASHER, 3/8 Split Lock
41	9-0850	BOLT, 3/8-16x3/4" Short Neck Carriage
42	9-0303	NUT, 1/4-28 Hex Lock
-	5-7445	ASSEMBLY, Overtravel Spring (Includes items 43 thru 48)
43	3-8242	BRACKET, Spring
44	4-0537	ROD, Spring
45	1-5442	SPRING
46	1-5440	WASHER, Flange (2)
47	1-5439	PIN, Spiral
48	1-5507	BUSHING

* ASSEMBLY CAN NOT BE ORDERED ORDER PARTS SEPARATELY

DIFFERENTIAL, RH FENDER



MANUAL #06092 (REV. 6/88)

3.5

EXTRA TOUGH SERIES 6

DIFFERENTIAL, R. H. FENDER

ITEM	PART NO.	DESCRIPTION
1	1-1817	SEAL, Oil
2	1-4401	COLLAR, Lock (Includes 5/16Cx5/16" Set Screw #9-0201
3	1-4400	BEARING, Axle, Right Hand Fender
4	3-2107	SPACER, Short Axle
5	3-1079	WASHER, Thrust
6	3-8067	PLATE, Differential
7	2-1126	SPACER, Pinion (8)
8	2-1127	PINION GEARS, Differential (8)
9	1-1072	WASHER, Thrust
10	5-1584	ASSEMBLY, Drive Hex Tube
11	1-0988	WASHER, Hex Insert
12	1-0964	GEAR, 11 Teeth, 10 Pitch
13	1-0941	CHAIN, 46 Pitch (#35)
14	2-1129	SPROCKET
15	1-0965	RING, Retaining
16	2-1128	SPACER
17	1-1037	CLAMP, Boot (2)
18	1-1011	BOOT, Oil Seal
19	1-1024	PLUG, Oil Fill & Check (2)
20	3-7279	CASE, Transmission
21	1-8060	GASKET, Transmission Case
22	3-7957	FENDER, Right Hand
23	2-7644	GEAR, 63 Teeth, 10 Pitch
24	4-7763	AXLE, Long (Includes Gear) Use only with Short Axle #5-7352
25	1-1026	SPACER
26	5-7398	AXLE, Short(Includes Gear)Use only with Long Axle #4-7763
27	1-4669	FITTING, Lube
28	1-2333	CAPSCREW, 5/16-24x1 5/8" Hex, Special Lock (8)
29	1-1156	O-RING, 5/16" (2)
30	1-1782	WASHER, Belleville (2)
31	9-0395	WASHER, 5/16 External Tooth Lock
32	9-0188	WASHER, 5/16 Flat
33	1-1042	BOLT, 5/16-24x2 5/8" Idler
34	9-0072	SCREW, 1/4-20x5/8" Hex Head Cap (2)
35	9-0362	SCREW, 1/4-20x5/8", Self-Tapping (11)
36	9-0372	NUT, 1/4-20 Hex Lock (2)
37	9-0361	SCREW, 5/16-18x5/8", Self-Tapping (11)
38	9-0223	NUT, 5/16-24 Hex
39	1-0969	NUT, 5/16-24 Hex Flange Lock
*	6-0662	KIT, Differential
*	5-1542	ASSEMBLY, Fender Right Hand (Includes items 3 and 22)

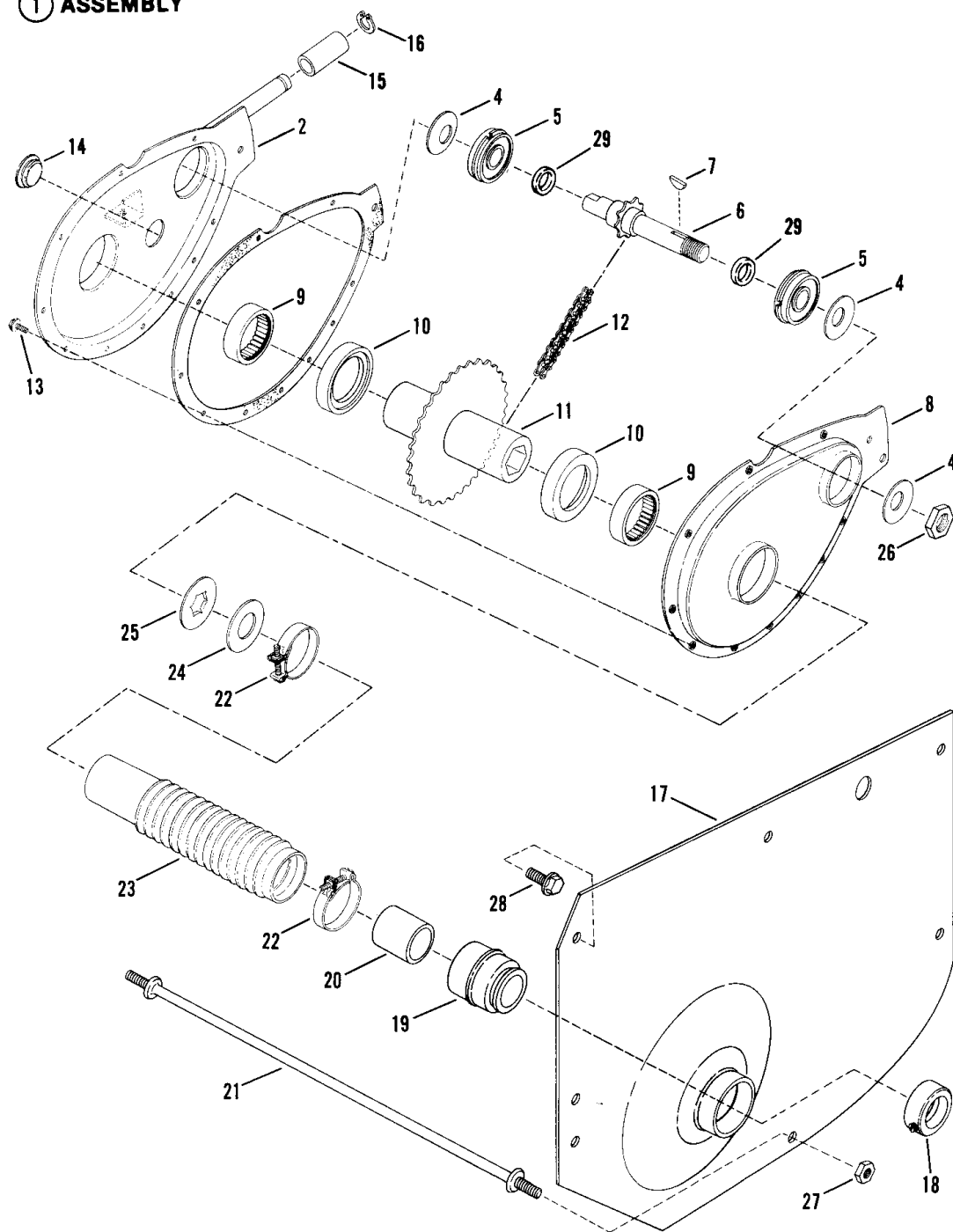
EXTRA TOUGH SERIES 6

3.6

(REV. 6/88) MANUAL #06092

CHAIN CASE, LH FENDER

① ASSEMBLY



MANUAL #06092 (REV. 6/88)

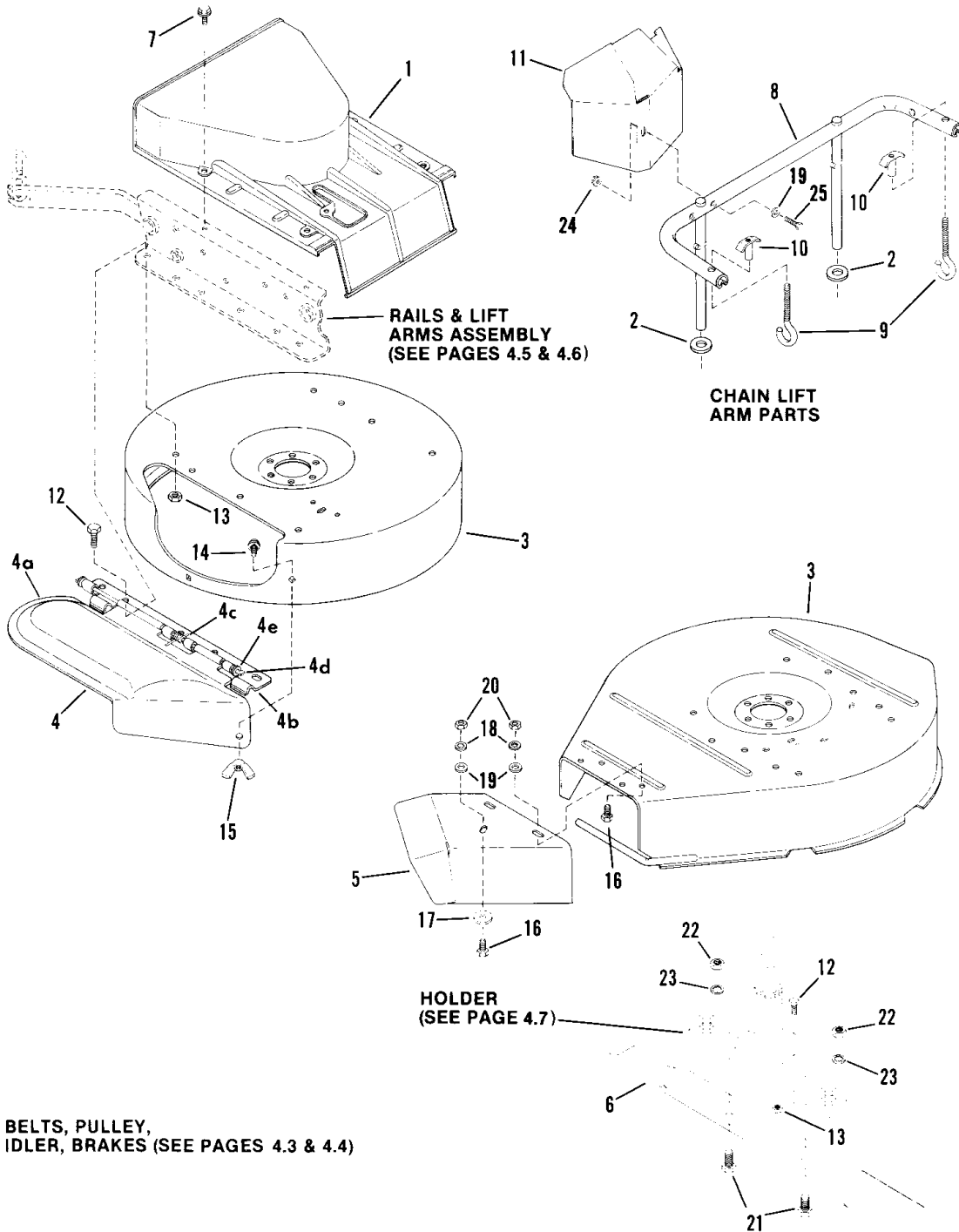
3.7

EXTRA TOUGH SERIES 6

CHAIN CASE, LH FENDER

ITEM	PART NO.	DESCRIPTION
1	5-9688	ASSEMBLY, Chain Case (Includes items 2 thru 13)
2	4-7889	CASE, Sprocket
3	1-8059	GASKET, Case-Cover
4	1-1121	WASHER, Belleville (2) (2 in Assembly, 1 Loose)
5	1-0756	BEARING, Ball (2)
6	1-0940	SPROCKET & SHAFT
7	1-0614	KEY, Woodruff
8	3-9778	COVER, Chain Case
9	1-0942	BEARING, Needle (2)
10	1-1086	WASHER, Nylon Thrust (2)
11	4-0355	HUB & SPROCKET
12	1-0941	CHAIN
13	9-0307	SCREW, #10-24x5/8" Self-Tapping (10)
14	1-1024	PLUG, Oil Fill & Check
15	2-0908	ROLLER
16	1-0776	RING, Retaining
*17	3-7958	FENDER, Left Hand
18	1-4625	COLLAR, Lock (Includes 1/4Cx1/4" Set Screw #9-0776)
19	1-4624	BEARING, Left Hand Fender
20	3-2114	SPACER, Left Hand
21	1-1070	ROD, Cross-Tie
22	1-1037	CLAMP, Boot (2)
23	1-8555	BOOT, Oil Seal
24	1-1071	WASHER, Thrust Nylon
25	1-1072	WASHER, Thrust
26	9-0356	NUT, 5/8-18 Hex Lock
27	9-0223	NUT, 5/16-24 Hex
28	9-0361	SCREW, 5/16-18x5/8" Self-Tapping
*	5-1451	FENDER ASS'Y, LEFT HAND (includes items 17 & 19)
29	1-4508	"O" - RING (2)

CUTTING DECKS, DEFLECTORS



MANUAL #06092 (REV. 6/88)

4.1

EXTRA TOUGH SERIES 6

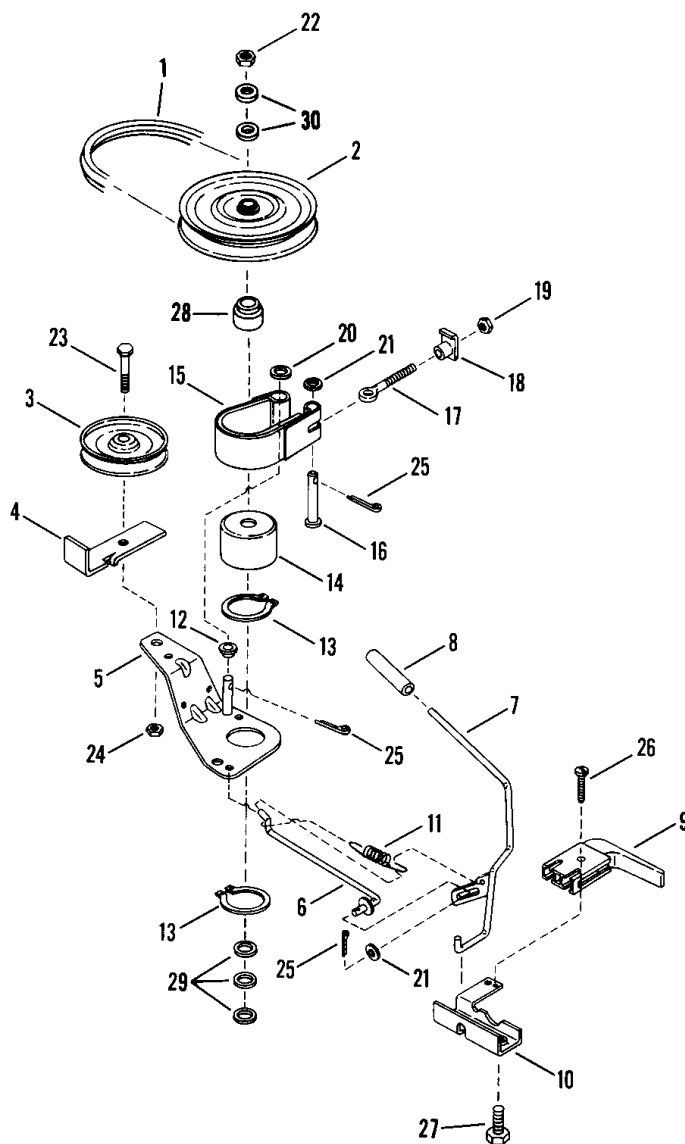
CUTTING DECKS, DEFLECTORS

ITEM	PART NO.	DESCRIPTION
1	5-7458	COVER, Spindle (Auto. Blade Stop Models)
2	9-0183	WASHER, 5/8 Flat (2)
3	3-9821	28" DECK (*See Note below for complete cutter unit)
-	4-7323	30" DECK (*See Note below for complete cutter unit)
-	3-5068	33" DECK (*See Note below for complete cutter unit)
4	5-9532	28 & 33" DEFLECTOR ASSEMBLY (Includes 4a,b,c,d,e)
4a	3-9615	28 & 33" DEFLECTOR, Discharge
4b	3-9586	HINGE
4c	1-2303	SPRING, Hinge
4d	3-1914	PIN, Hinge
4e	9-0055	WASHER, 1/4 Flat
5	3-7334	DEFLECTOR, 30" Mowers
6	1-9515	28" BLADE
-	1-8069	30" BLADE
-	1-9523	33" BLADE
7	9-0741	SCREW, 1/4-20x5/8" Hex Washer Head Self-tapping (4)
8	4-7725	ARM, Chain Lift
9	1-2350	HOOK, Chain
10	3-1928	NUT, Chain Adjusting
11	3-5048	SHIELD, Engine Exhaust Heat
12	9-0292	SCREW, 3/8-24x3/4" Hex Head Cap
13	9-0289	NUT, 3/8-24 Hex Lock
14	9-0001	BOLT, 5/16-18x3/4" Short Neck Carriage
15	9-0492	NUT, 5/16-18 Wing
16	9-0541	SCREW, 1/4-28x3/4" Hex Head Cap
17	1-1763	WASHER, Fender
18	9-0053	WASHER, 1/4 Internal Tooth Lock
19	9-0055	WASHER, 1/4 Flat
20	9-0095	NUT, 1/4-28 Hex
21	9-0392	SCREW, 1/2-20x1" Hex Head Cap
22	9-0559	NUT, 1/2-20 Hex Jam
23	9-0509	WASHER, 1/2 Internal Tooth Lock
24	9-0743	NUT, 1/4-28 Hex Lock
25	9-0528	SCREW, 1/4-28x1-1/2" Hex Head Cap
-	6-0480	KIT, Air Lift (28 & 33" Models)
-	6-0735	KIT, Air Lift (30" Models)

*NOTE: For Complete Cutter Unit, order following numbers:

28" Replacement Deck - Complete Unit 6-0825
 30" Replacement Deck - Complete Unit 6-0824
 33" Replacement Deck - Complete Unit 6-0823

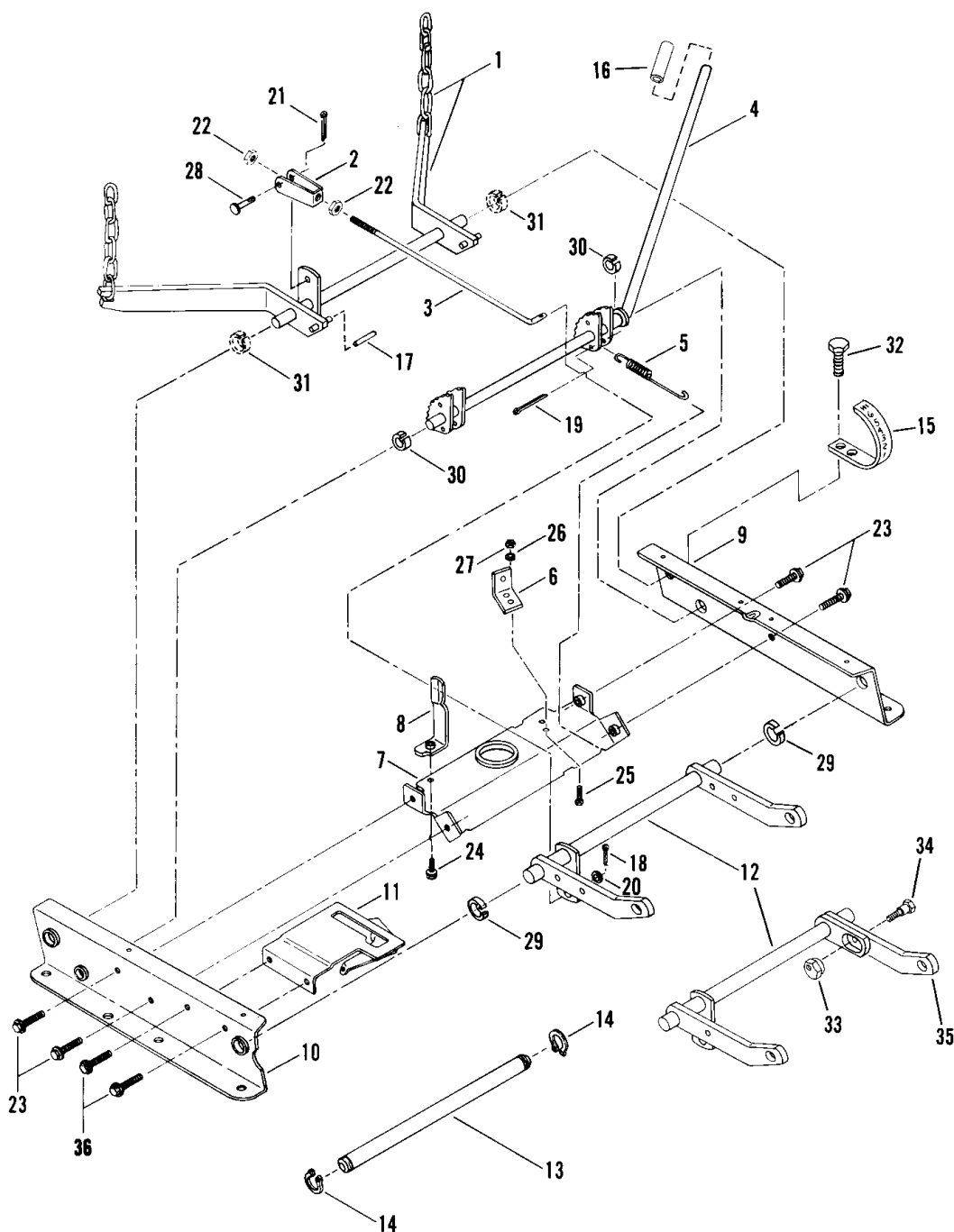
BELTS, BRAKES, INTERLOCK



BELTS, BRAKES, INTERLOCK

ITEM	PART NO.	DESCRIPTION
1	1-0749	BELT, Drive 28 & 30" Models
-	1-8236	BELT, Drive 33" Models
2	1-8781	PULLEY, Spindle (Replaces 1-8587)
3	1-1029	PULLEY, Idler
4	3-2111	RESTRICTOR, Belt (Replaces 3-0982)
5	4-7787	ARM, Idler
6	1-2055	ROD, Idler
7	4-0472	HANDLE, Blade ON—OFF (Lever)
8	1-0681	GRIP, Handle
9	1-8524	SWITCH, Deck Interlock
10	3-8021	MOUNT, Handle
11	1-4168	SPRING, Blade Handle
12	1-4314	SPACER
13	1-0740	RING, Retainer
14	3-2169	DRUM, Brake
15	5-7307	BAND, Brake
16	1-4304	PIN, 1/4x1-5/8" Clevis
17	1-4302	BOLT, 1/4-20 Eye
18	1-4303	NUT, 1/4-20 Tee
19	9-0063	NUT, 1/4-20 Hex
20	9-0122	WASHER, 3/8 Flat
21	9-0055	WASHER, 1/4 Flat
22	1-0027	NUT, 3/4-16 Hex Jam
23	9-0161	SCREW, 3/8-24x1 3/4" Hex Head Cap
24	9-0289	NUT, 3/8-24 Hex Lock
25	9-0037	PIN, 3/32x3/4" Cotter
26	9-0299	SCREW, #10-32x1" Self-Tapping
27	9-0362	SCREW, 1/4-20x5/8" Self-Tapping
28	1-5290	HUB, Pulley
29	1-0935	WASHER, 49/64x1-1/8" Flat (3)
30	3-2027	WASHER, 49/64x1-1/2" Flat (2)

RAILS, LIFT ARMS, CAM LIFT



MANUAL #06092 (REV. 6/88)

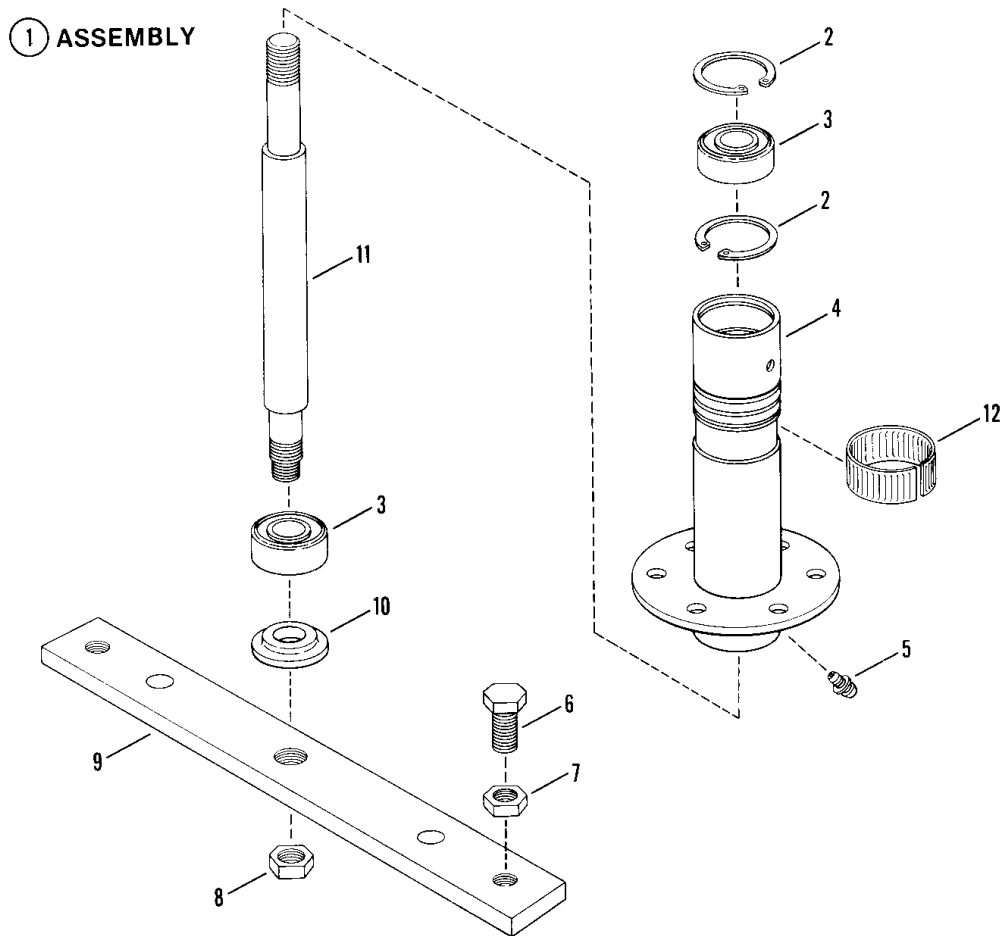
4.5

EXTRA TOUGH SERIES 6

RAILS, LIFT ARMS, CAM LIFT

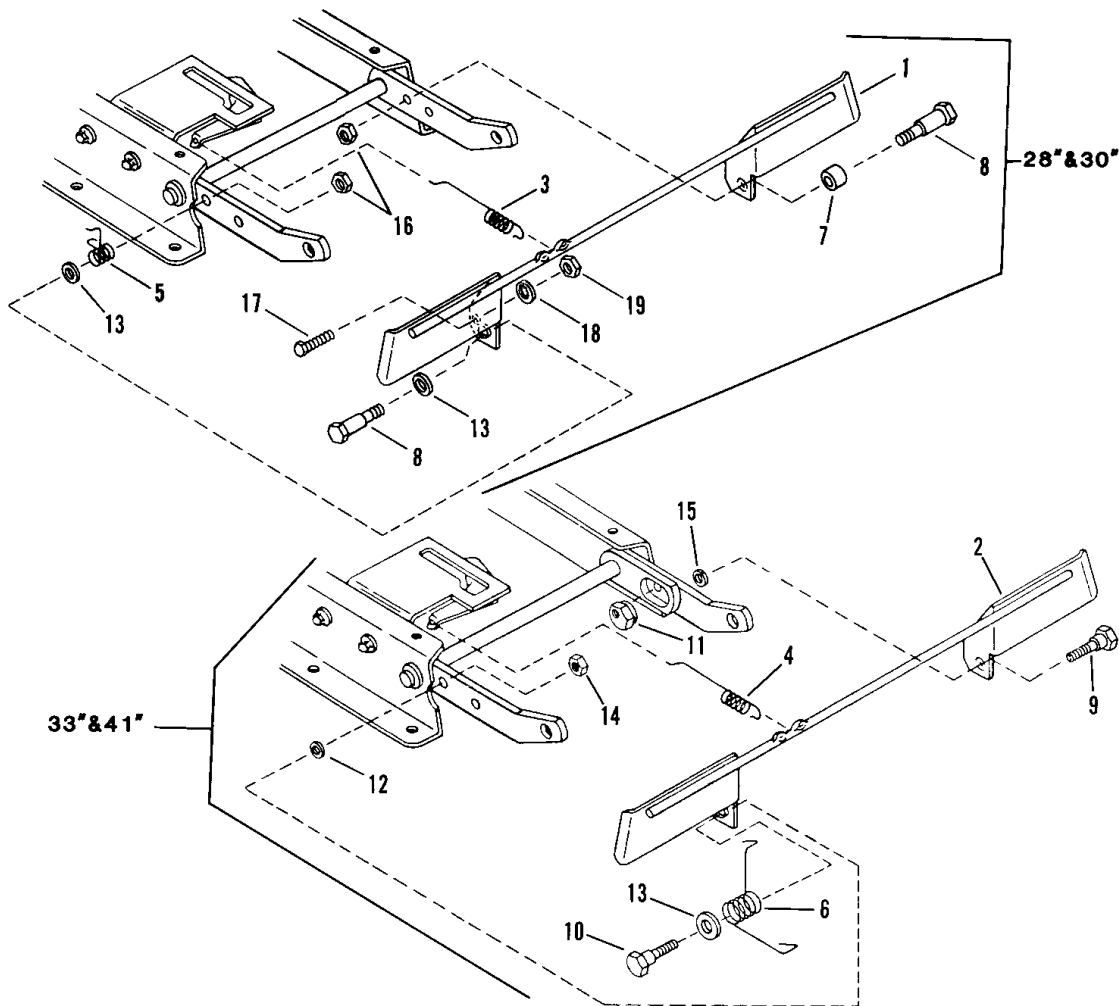
ITEM	PART NO.	DESCRIPTION
1	5-7283	ASSEMBLY, REAR LIFT ARM (28,30" MODELS)
-	5-7281	ASSEMBLY, REAR LIFT ARM (33" MODELS)
2	3-1837	CLEVIS, Timing Rod
3	1-2030	TIMING ROD
4	4-7730	CAM LIFT LEVER
5	1-1074	SPRING, Cam Lift
6	3-2243	ANCHOR (Auto. Blade Control Models)
7	3-1838	BRACE, Top
8	3-1855	GUIDE, Belt
9	3-7709	RAIL, Left Hand
10	3-7710	RAIL, Right Hand
11	5-1310	ASSEMBLY, Clutch-Plate
12	4-7710	FRONT LIFT ARM (Non-Adjustable 28" & 30" Models)
-	4-7885	FRONT LIFT ARM (Adjustable-All 33" Models)
13	2-0882	SUPPORT ROD (Front Lift Arm to Front End)
14	1-0739	RING, Retaining
15	3-1975	PLATE, Indicator
16	1-0684	GRIP, Height Adjustment Lever
17	1-0737	PIN, Roll (Part of item 1)
18	9-0365	PIN, 1/8x3/4" Cotter
19	9-0364	PIN, 5/32x1" Cotter
20	9-0122	WASHER, 3/8 Flat
21	9-0037	PIN, 3/32x3/4" Cotter
22	9-0155	NUT, 3/8-24 Hex
23	9-0324	SCREW, 3/8-16x1" Hex Self-Tapping
24	9-0361	SCREW, 5/16-18x5/8" Hex Self-Tapping
25	9-0233	SCREW, 5/16-24x3/4" Hex Head Cap
26	9-0391	LOCKWASHER, 5/16 Internal Tooth Lock
27	9-0223	NUT, 5/16-24 Hex
28	1-0736	PIN, Clevis
29	1-2067	RING, Red
30	1-0996	RING, White
31	1-2068	RING, Blue
32	9-0292	SCREW, 3/8-24x3/4" Hex Head Cap
33	1-5447	ECCENTRIC, Leveling
34	1-5495	BOLT, Shoulder
35	3-2001	ARM, Front Lift-Left
36	9-0858	SCREW, 5/16-18x1/2" Self-Tapping (2)

SPINDLE (28",30",33")



ITEM	PART NO.	DESCRIPTION
1	5-9813	ASSEMBLY, Spindle Housing (Includes items 2 thru 11)
2	1-2491	RING, Retaining (2)
3	1-3313	BEARING, Spindle (2)
4	5-0696	HOUSING, Spindle (Includes item 5)
5	1-0817	FITTING, Lube
6	9-0392	SCREW, 1/2-20x1" Hex Head Cap, Grade 5 (2)
7	9-0559	JAM-NUT, 1/2-20 Hex (2)
8	9-0356	LOCKNUT, 5/8-18 Hex
9	3-7751	HOLDER, Blade
10	1-4407	WASHER, Spindle
11	2-1742	SPINDLE
12	1-2670	RING, Tolerance

BLADE STOP PEDALS



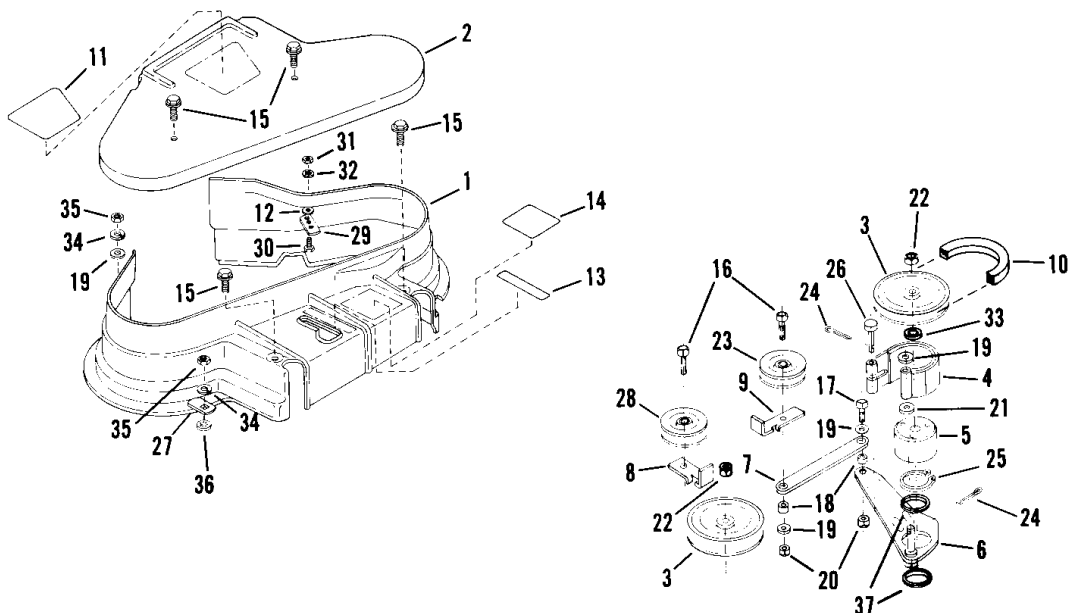
ITEM	PART NO.	DESCRIPTION
1	4-7788	PEDAL, Blade Stop Control (28" & 30")
2	4-7886	PEDAL, Blade Stop Control (33" & 41")
3	1-4320	SPRING, Latching (28" & 30")
4	1-4389	SPRING, Latching (33" & 41")
5	1-4166	SPRING, Pedal (28" & 30")
6	1-5448	SPRING, Pedal (33" & 41")
7	1-4394	SPACER (28" & 30")
8	1-4158	BOLT, 3/8-24x1-3/4" Shoulder (28" & 30") (2)
9	1-5495	BOLT, 3/8-24x3/4" Shoulder (33" & 41")
10	1-5446	BOLT, 3/8-24x9/16" Shoulder (33" & 41")
11	1-5447	ECCENTRIC, Leveling
12	9-0122	WASHER, 3/8 Flat
13	9-0250	WASHER, 1/2 Flat (2)
14	9-0289	NUT, 3/8-24 Hex Lock
15	9-0390	WASHER, 3/8 Internal Tooth Lock
16	9-0155	NUT, 3/8-24 Hex (2)
17	9-0535	SCREW, 1/4-28x1" Hex Head Cap
18	9-0053	WASHER, 1/4 Internal Tooth Lock
19	9-0095	NUT, 1/4-28 Hex

EXTRA TOUGH SERIES 6

4.8

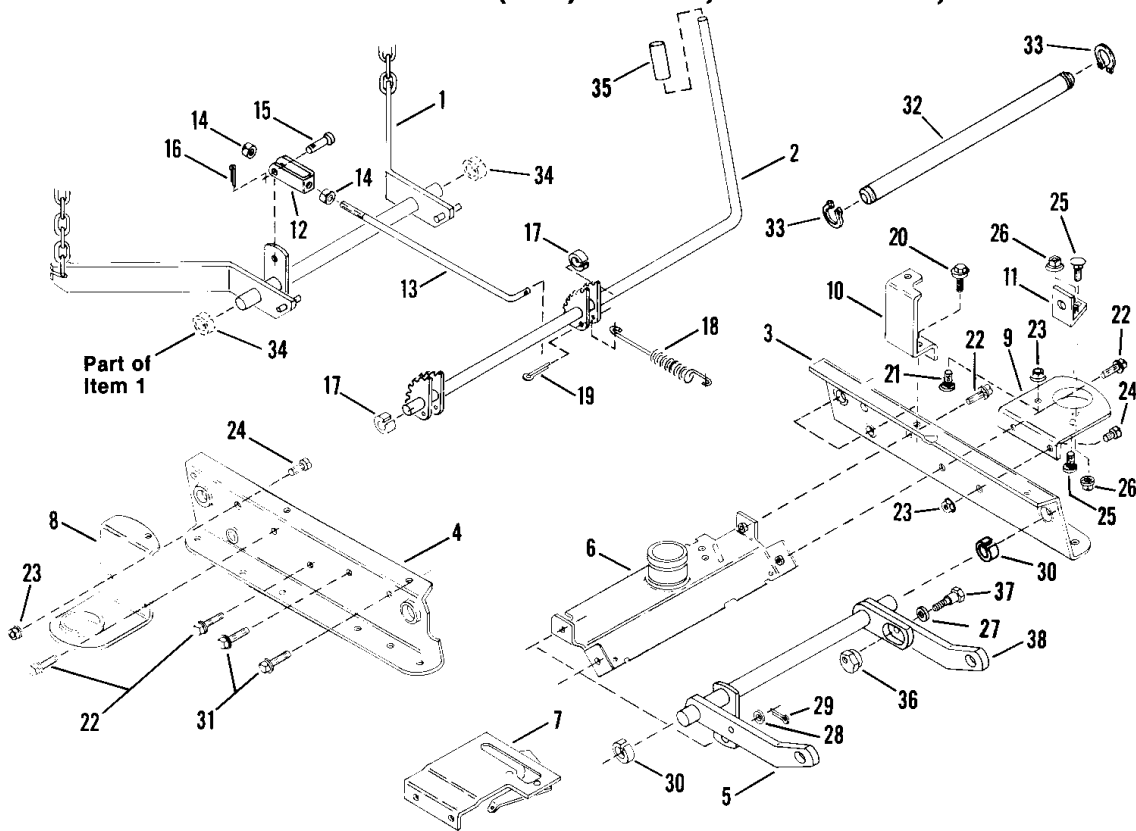
(REV. 6/88) MANUAL #06092

(41") DECK, COVER, BLADE BRAKE



ITEM	PART NO.	DESCRIPTION
1	5-9695	ASSEMBLY, 41" Cover-Bottom & Decal (Incl. items 12 thru 14 & 29 thru 32)
2	5-7371	ASSEMBLY, 41" Cover-Top & Decal (Includes item 11)
3	1-4532	PULLEY, 5" O.D.
4	5-7307	BRAKE BAND ASSEMBLY
5	3-2169	BRAKE DRUM
6	4-7862	BRAKE ARM ASSEMBLY
7	3-2333	LINK
8	3-2368	GUIDE, Belt
9	3-2111	RESTRICTOR
10	1-4525	BELT, AA105
11	1-9776	DECAL, Caution
12	9-0055	WASHER, 1/4 Flat
13	1-4731	DECAL, Blade ON-OFF
14	1-5475	DECAL, Brake Operation
15	9-0741	SCREW, 1/4-28x5/8 Hex Head Self-Tapping (4)
16	9-0161	SCREW, 3/8-24x1 3/4 Hex Head Cap (2)
17	9-0292	SCREW, 3/8-24x3/4 Hex Head Cap (14)
18	1-4527	SPACER (2)
19	9-0122	WASHER, 3/8 Flat
20	9-0289	NUT, 3/8-24 Hex Lock (12)
21	1-4314	SPACER
22	9-0820	NUT, 3/4-16 Hex Jam Lock (2)
23	1-1029	PULLEY, Idler
24	9-0037	COTTER PIN, 3/32x3/4 (3)
25	1-0740	RING, Retaining (4)
26	1-4304	PIN, 1/4 Clevis
27	3-2367	CLIP (2)
28	1-8651	PULLEY, Idler
29	3-2427	GUIDE, Belt
30	9-0071	SCREW, 1/4-20x1/2 Hex Head Cap (2)
31	9-0063	NUT, 1/4-20 Hex (2)
32	9-0053	WASHER, 1/4 Internal Tooth Lock (2)
33	1-0935	WASHER, 3/4 Flat
34	9-0118	WASHER, 3/8 Split Lock (4)
35	9-0130	NUT, 3/8-16 Hex (4)
36	1-3847	RETAINER, 3/8 Bolt (4)
37	1-4795	WASHER, 2" I.D. (2)

(41") RAILS, LIFT ARMS, CAM LIFT



ITEM	PART NO.	DESCRIPTION
1	5-7281	ASSEMBLY, Rear Lift Arm
2	4-7835	LIFT LEVER STRUCTURE
3	3-7709	RAIL, Left Half
4	3-7710	RAIL, Right Half
5	4-7885	STRUCTURE, Front Lift Arm
6	4-0502	BRACE, Weldment
7	5-1310	ASSEMBLY, Clutch Plate
8	3-6090	SPINDLE, Brace Right Half
9	3-8096	SPINDLE, Brace Left Half
10	3-8104	BRACKET, Cover
11	3-2334	ANCHOR
12	3-1837	CLEVIS, Timing Rod
13	1-2030	ROD, Timing
14	9-0155	NUT, Hex 3/8-24 (3)
15	1-0736	PIN, Clevis
16	9-0037	PIN, Cotter 3/32x3/4
17	1-0996	RING, White (2)
18	1-1074	SPRING, (CAM-LIFT)
19	9-0364	PIN, Cotter 5/32x1
20	9-0741	SCREW, Self-Tapping 1/4-20x5/8
21	9-0160	SCREW, Cap-Hex Head 3/8-24x1

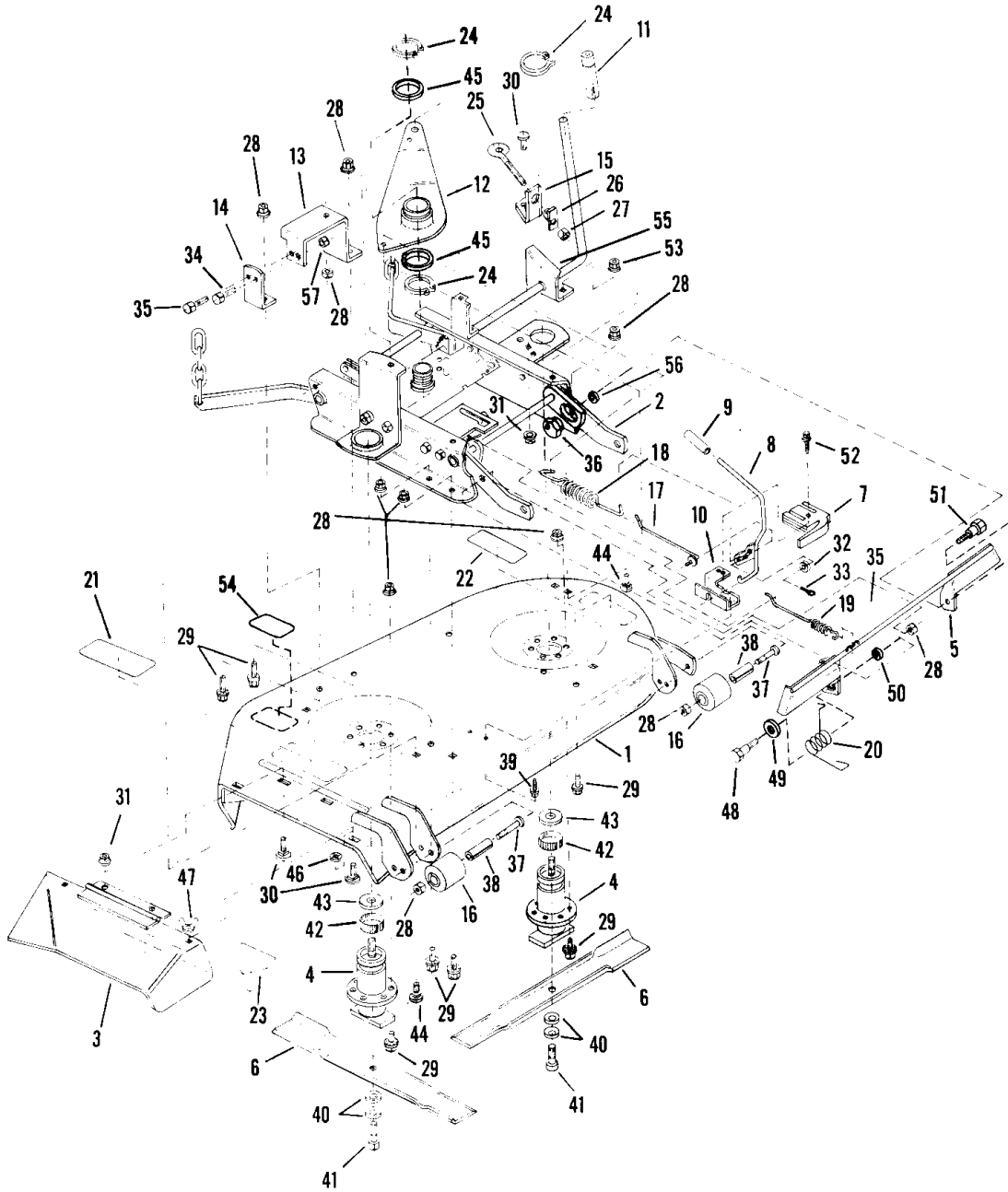
ITEM	PART NO.	DESCRIPTION
22	9-0324	SCREW, Hex Washer Self-Tapping 3/8-16x1 (4)
23	9-0289	NUT, Lock 3/8-24 (3)
24	9-0292	SCREW, Cap-Hex Head 3/8-24x3/4 (2)
25	9-0316	BOLT, Carriage 5/16-18x3/4 (2)
26	9-0585	NUT, Hex Flange Lock 5/16x18 (2)
27	9-0390	WASHER, 3/8 Internal Lock
28	9-0122	WASHER, 3/8 (3)
29	9-0365	PIN, Cotter 1/8x3/4
30	1-2067	RING, Red
31	9-0361	SCREW, Hex Washer Self-Tapping 5/16-18x5/8 (2)
32	2-0882	SUPPORT, Rod
33	1-0739	RING, Retaining
34	1-2068	RING, Blue (2)
35	1-0684	GRIP, Height Adjustment Lever
36	1-5447	ECCENTRIC, Leveling
37	1-5495	BOLT, Shoulder
38	3-2001	ARM, Front Lift-Left

EXTRA TOUGH SERIES 6

4.10

(REV. 6/88) MANUAL #06092

(41") CUTTING DECK



MANUAL #06092 (REV. 6/88)

4.11

EXTRA TOUGH SERIES 6

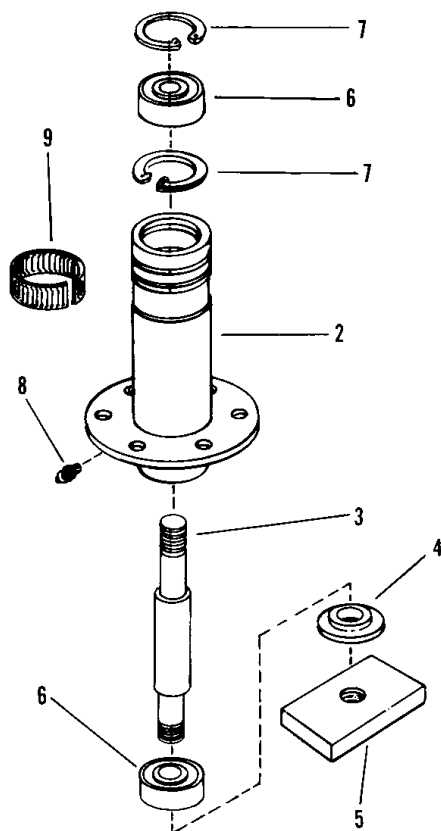
(41") CUTTING DECK

ITEM	PART NO.	DESCRIPTION
1	4-9960	ASSEMBLY, Deck (*See Note below for complete cutter unit)
2	5-9704	ASSEMBLY, Rail (See Page 4.10 for breakdown)
3	5-1401	ASSEMBLY, Side Chute (Includes item 23)
4	5-9628	ASSEMBLY, Spindle (2) (See page 4.13 for breakdown)
5	4-7886	ASSEMBLY, Pedal
6	1-9795	BLADE, 21" (2)
7	1-8524	SWITCH
8	4-0472	ENGAGE LEVER
9	1-0681	GRIP, Handle
10	3-8021	BRACKET
11	1-0684	GRIP, Lever (For Height Adjustment Lever)
12	3-7713	IDLER ARM
13	3-6089	SUPPORT, Idler
14	3-8114	BRACKET
15	3-2334	ANCHOR
16	1-4661	ROLLER (2)
17	1-2055	ROD, Idler
18	1-4168	SPRING, Belt
19	1-4389	SPRING, Latch
20	1-5448	SPRING, Pedal
21	1-4852	DECAL, Caution (Rotating Blades)
22	1-4853	DECAL, Caution (Rotating Blades)
23	1-3010	DECAL, Danger (Keep Hands & Feet Away)
24	1-0740	RING, Retaining (4)
25	1-4302	EYE-BOLT
26	1-4303	T-NUT
27	9-0063	NUT, 1/4-20 Hex
28	9-0289	NUT, Hex Lock 3/8-24 (14)
29	9-0292	SCREW, 3/8-24x3/4" Hex Head Cap (14)
30	9-0799	BOLT, 5/16-18x5/8" Carriage (4)
31	9-0585	NUT, Hex Flange 5/16-18 Lock (4)
32	9-0055	WASHER, 1/4 Flat
33	9-0037	PIN, Cotter 3/32x3/4
34	9-0134	SCREW, 3/8-16x3/4" Hex Head Cap
35	9-0138	SCREW, 3/8-16x1" Hex Head Cap
36	1-5447	ECCENTRIC, Leveling
37	9-0859	SCREW, 3/8-24x3 3/4" Hex Head Cap (2)
38	1-4660	SPACER (2)
39	9-0362	SCREW, 1/4-20x5/8 Self-Tapping(2)
40	1-2063	WASHER, Cone (4)
41	9-0824	SCREW, 3/8-24x1" Hex Head Cap
42	1-2670	RING, Tolerance (2)
43	1-4526	SPACER (2)
44	9-0850	BOLT, 3/8-16x3/4" Carriage (6)
45	1-4795	WASHER, 2" I.D. (2)
46	1-1791	RETAINER, 5/16 Bolt (2)
47	9-0375	NUT, 5/16-18 Wing (2)
48	1-5446	BOLT, 3/8-24x9/16" Shoulder
49	9-0250	WASHER, 1/2 Flat (3)
50	9-0122	WASHER, 3/8 Flat
51	1-5495	BOLT, 3/8-24x3/4" Shoulder
52	9-0299	SCREW, #10-32x1" Self-Tapping
53	9-0613	NUT, 3/8-16 Hex Lock (2)
54	1-4387	PLATE, Model Number
55	3-8129	BRACKET, Height Indicator
56	9-0390	WASHER, 3/8 Internal Tooth Lock
57	9-0546	NUT, 3/8-16 Hex Lock (2)

NOTE: 41" Replacement Deck - Complete Unit 6-0822

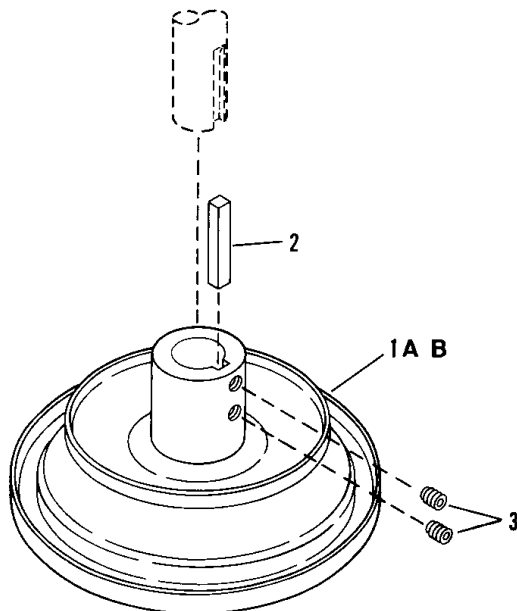
(41") SPINDLE

① ASSEMBLY



ITEM	PART NO.	DESCRIPTION
1	5-9628	ASSEMBLY, Spindle (Includes items 2 thru 8)
2	5-1469	HOUSING, Spindle (Includes item 8)
3	2-7640	SPINDLE
4	1-4407	WASHER, Spindle
5	3-2294	HOLDER, Blade
6	1-3313	BEARING (2)
7	1-2491	RING, Retaining
8	1-0817	FITTING, Lube
9	1-2670	RING, Tolerance

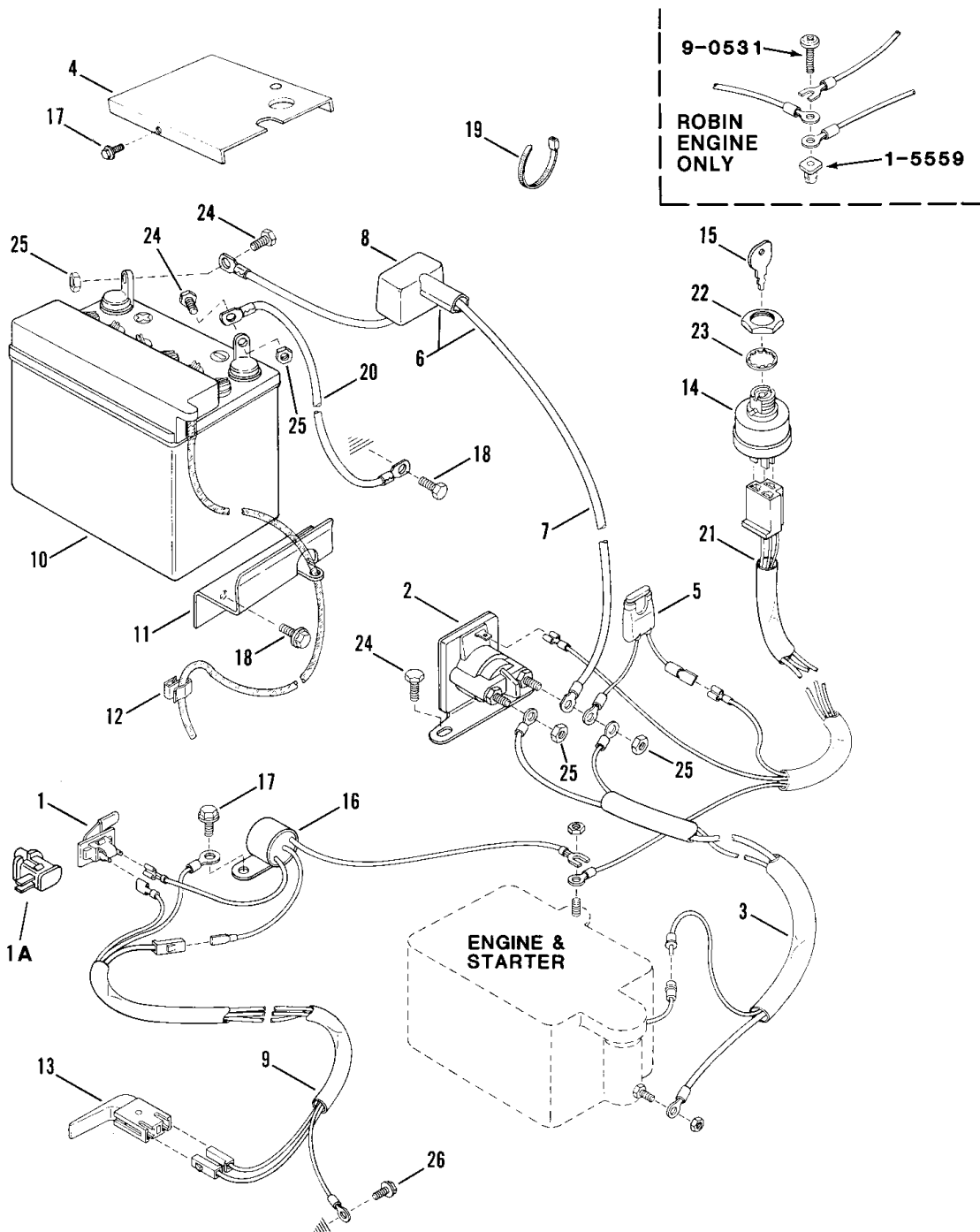
DRIVE DISC ASSEMBLY



NOTE: Replace As Assembly Only - Special Machining Done After Hub, Pulley and Disc Assembled For These Models.

ITEM	PART NO.	DESCRIPTION
1A	5-1581	ASSEMBLY, Drive Disc, 4" O.D. for 30 & 33" Models
1B	5-1582	ASSEMBLY, Drive Disc, 5" O.D. for 28 & 41" Models
2	1-0210	KEY, 1/4x1/4x2"
3	9-0132	SET-SCREW, 3/8-16x3/8" (2)

ELECTRICAL SYSTEMS



MANUAL #06092 (REV. 6/88)

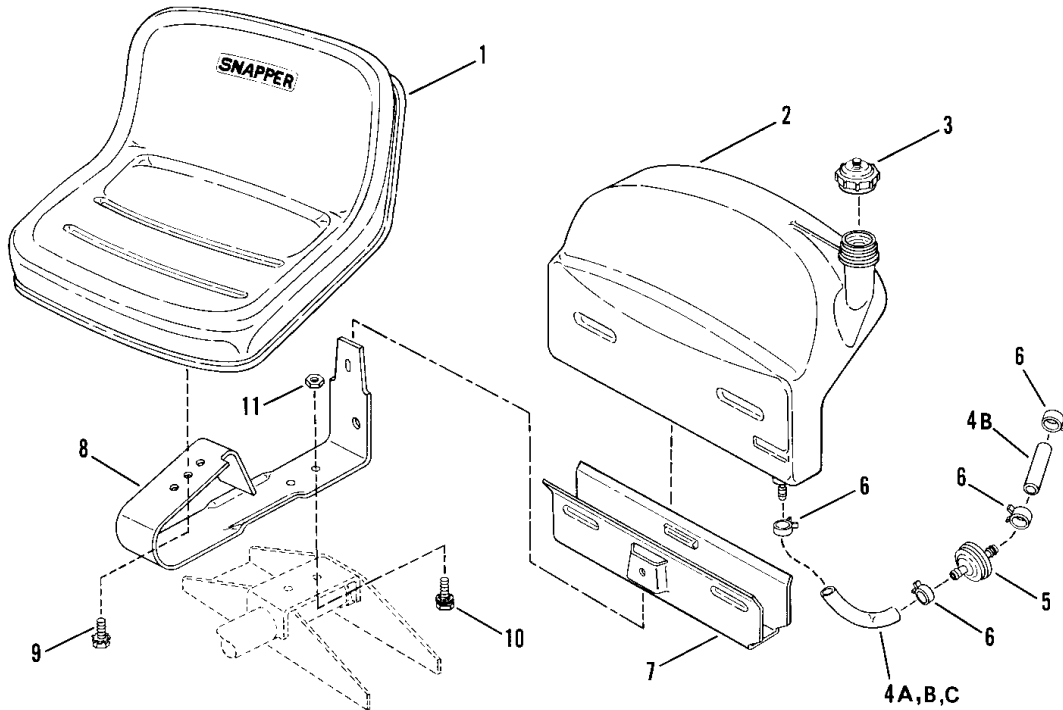
6.1

EXTRA TOUGH SERIES 6

ELECTRICAL SYSTEMS

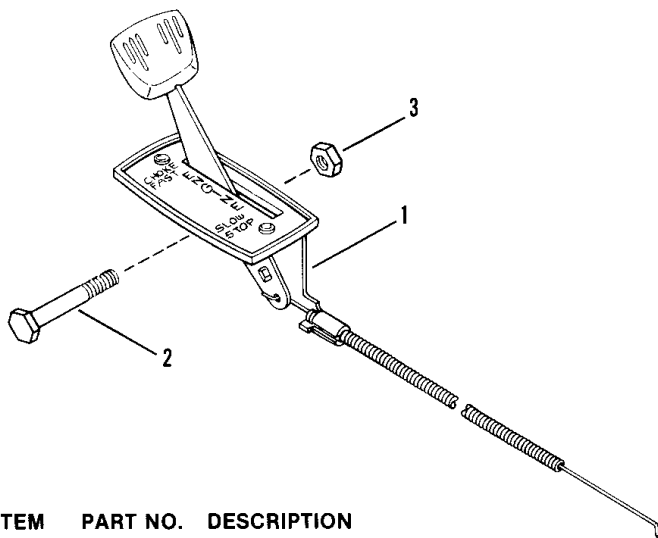
ITEM	PART NO.	DESCRIPTION
1	5-0681	SWITCH, Interlock, Assembly ('87 & Earlier Models)
1A	1-5707	SWITCH, Interlock ('88 & Later Models)
2	1-8817	SOLENOID
3	1-5430	HARNESS, Starter Wiring (B&S Electric Start)
	1-8852	HARNESS, Starter Wiring (Robin Electric Start)
-	1-5431	HARNESS, Starter Wiring(Tec. Electric Start)
4	3-8240	PANEL, Switch
5	1-5428	HOLDER, Fuse (Includes Fuse)
-	1-5468	FUSE (7.5 AMP)
6	5-1615	ASSEMBLY, Wire & Cover (Incl. items 7 & 8)
7	1-5432	CABLE, Positive (Red)
8	1-2444	COVER, Battery Cable
9	1-8873	HARNESS, Deck Interlock Wiring ('87 & Earlier Models)
-	1-8912	HARNESS, Deck Interlock Wiring ('88 & Later Models)
10	6-0753	KIT, 12V Dry Charge Battery
11	3-7343	CLAMP, Battery Retaining
12	1-5063	CLIP, Battery Hose
13	1-8524	SWITCH, Deck Interlock
14	1-8816	SWITCH, Ignition (Used with Electric Start)
15	1-1138	KEY, Switch (2)
16	1-2632	INTERLOCK (B&S) ('87 & Earlier Models)
-	1-5042	INTERLOCK (Tec.) ('87 & Earlier Models)
-	1-5759	INTERLOCK (Tec.) ('88 & Later Models)
-	1-5760	INTERLOCK (B&S) (Robin) ('88 & Later Models)
17	9-0539	SCREW, 1/4-20x1/2" Self-Tapping
18	9-0858	SCREW, 5/16-18x1/2" Self-Tapping
19	1-2080	CABLE-TIE (2)
20	1-1859	CABLE, Negative
21	1-8819	HARNESS, Wiring (B&S)
-	1-8820	HARNESS, Wiring (Tec.)
-	1-8849	HARNESS, Wiring (Robin)
22	1-5438	NUT, 5/8-32 Hex
23	9-0880	WASHER, 5/8 Internal Tooth Lock
24	9-0072	SCREW, 1/4-20x5/8" Hex Head Cap (2)
25	9-0372	NUT, 1/4-20 Hex Lock (2)
26	9-0307	SCREW, #10-24x1/2" Self-Tapping

FUEL TANK - OPERATORS SEAT



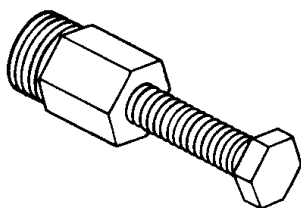
ITEM	PART NO.	DESCRIPTION
1	1-9978	SEAT, Operator
2	5-7243	ASSEMBLY, Fuel Tank (Includes item 3)
3	1-2515	CAP, Fuel Tank
4A	3-2015	HOSE, Fuel, 7" B&S Engine
4B	3-2542	HOSE, Fuel, 3" ROBIN Engine (2)
4C	3-2038	HOSE, Fuel 3" (TEC. Engine)
5	1-4359	FILTER, Fuel, In-Line
6	1-2222	CLAMP, Fuel Line (4)
-	1-5617	CLAMP, Fuel Line (Some Model Robins)
7	3-9607	BRACKET, Fuel Tank
8	3-8333	SPRING, Operator's Seat
9	9-0680	BOLT, 1/2-13x3/4" Hex Flange Lock
10	9-0582	BOLT, 3/8x1" Hex Flange Lock (2)
11	9-0613	NUT, 3/8 Hex Flange Lock (2)

THROTTLE CONTROL

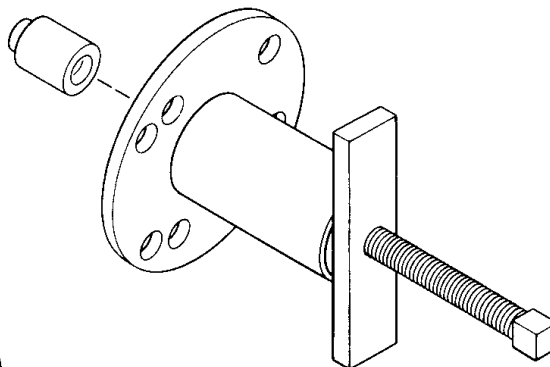


ITEM	PART NO.	DESCRIPTION
1	1-8889	CONTROL, Throttle (B&S & TEC.)
-	1-8848	CONTROL, Throttle (ROBIN)
2	9-0528	SCREW, 1/4-28x1-1/2 Hex Head Cap
3	9-0303	NUT, 1/4-28 Hex Lock

SPECIAL TOOLS



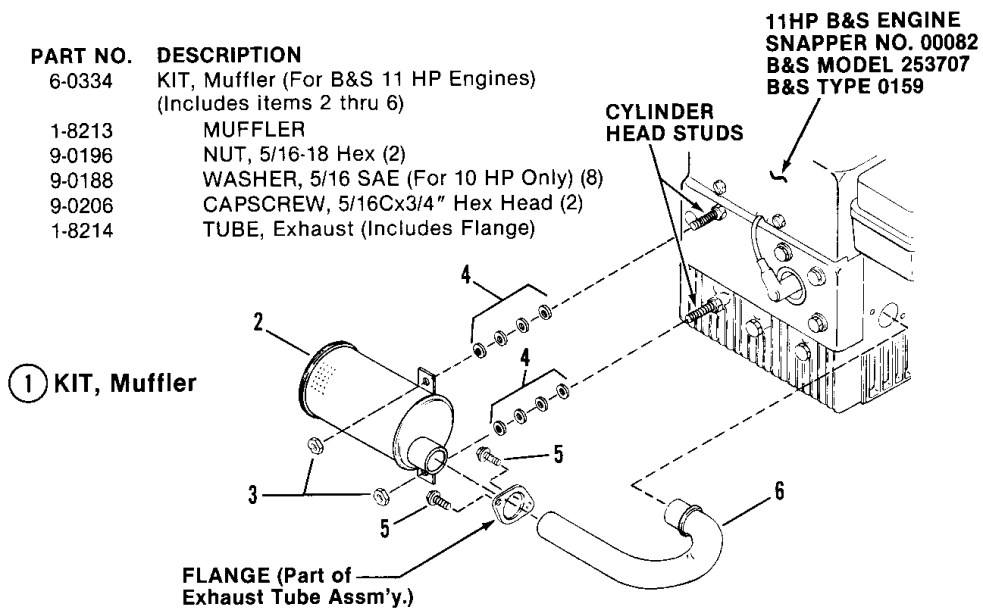
2-1970 DRIVE DISC PULLER



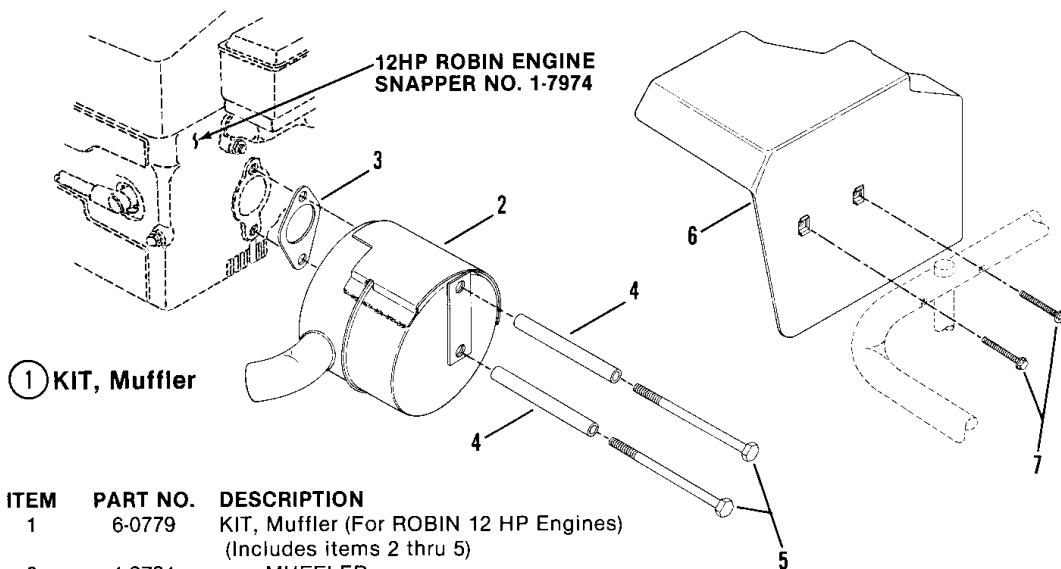
6-0327 WHEEL HUB PULLER

EXHAUST - B&S 11 HP ENGINE

ITEM	PART NO.	DESCRIPTION
1	6-0334	KIT, Muffler (For B&S 11 HP Engines) (Includes items 2 thru 6)
2	1-8213	MUFFLER
3	9-0196	NUT, 5/16-18 Hex (2)
4	9-0188	WASHER, 5/16 SAE (For 10 HP Only) (8)
5	9-0206	CAPSCREW, 5/16Cx3/4" Hex Head (2)
6	1-8214	TUBE, Exhaust (Includes Flange)

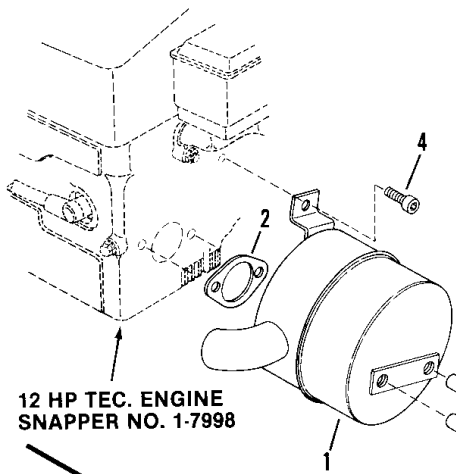


EXHAUST - ROBIN 12HP ENGINE



ITEM	PART NO.	DESCRIPTION
1	6-0779	KIT, Muffler (For ROBIN 12 HP Engines) (Includes items 2 thru 5)
2	1-9791	MUFFLER
3	1-5556	GASKET
4	1-5353	SPACER (2)
5	9-0924	CAPSCREW, 5/16-18x4-1/8" Hex Hd. (2)
6	5-1647	HEAT SHIELD ASSM'Y.
7	9-0922	SCREW, #10-32x1-1/2" H.W.H. (2)

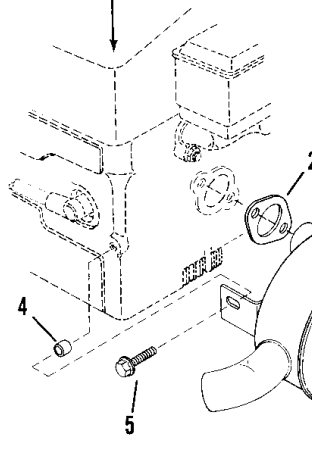
EXHAUST - TEC. 12 HP ENGINE



ITEM	PART NO.	DESCRIPTION
-	6-0858	KIT, Muffler (Tec. 12 HP)(Includes items 1 thru 5)
1	1-9782	MUFFLER
2	1-5352	GASKET, Exhaust
3	1-5353	SPACER (2)
4	9-0982	SCREW, 1/4-20x1/2 Socket Head Cap
5	9-0912	SCREW, 5/16-18x4-1/4" Hex Head Cap (2)
6	5-7429	ASSEMBLY, Head Shield
7	9-0922	SCREW, #10-32x1-1/2" Hex Washer Head (2)

12 HP TEC. ENGINE
SNAPPER NO. 1-7998

12 HP B&S ENGINE
SNAPPER NO. 1-7965



EXHAUST - B&S 12 HP ENGINE

ITEM	PART NO.	DESCRIPTION
-	6-0857	KIT, Muffler (B&S 12 HP)(Includes items 1 thru 6)
1	1-6026	MUFFLER
2	1-5352	GASKET, Exhaust
3	1-5353	SPACER (2)
4	2-1866	SPACER
5	9-0986	BOLT, 1/4-20x1" Hex Flange Lock
6	9-0912	SCREW, 5/16-18x4-1/4" Hex Head Cap (2)
7	5-1647	ASSEMBLY, Heat Shield
8	9-0922	SCREW, #10-32x1-1/2" Hex Washer Head (2)

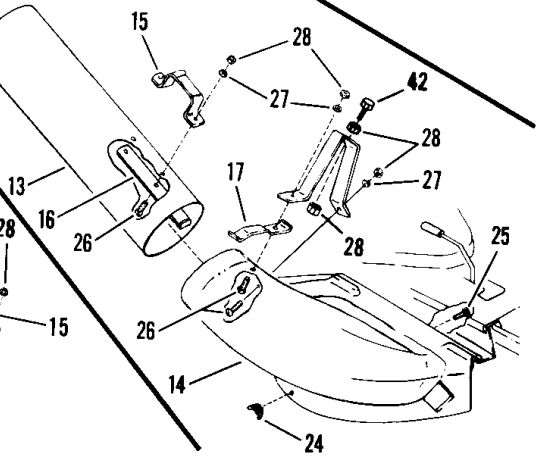
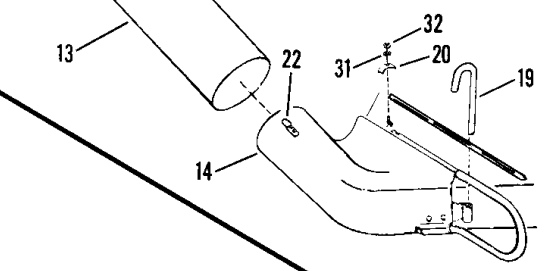
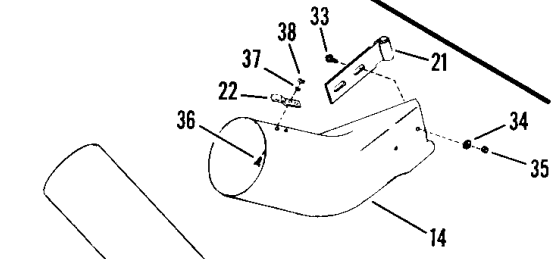
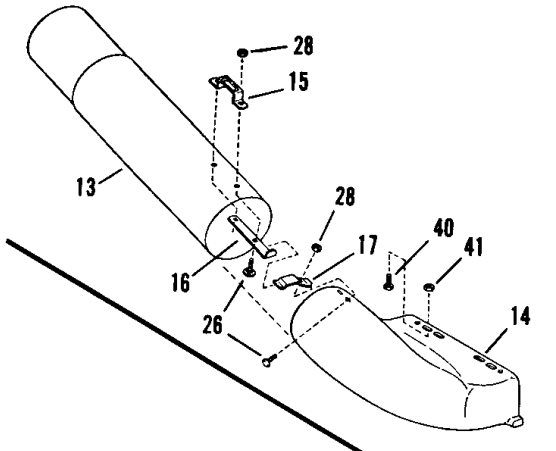
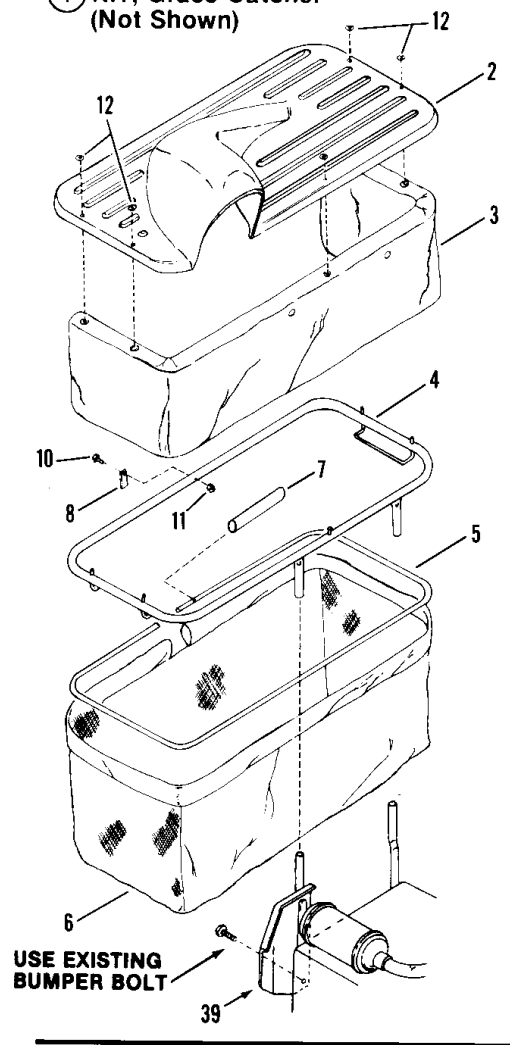
EXTRA TOUGH SERIES 6

9.2

(REV. 6/88) MANUAL #06092

GRASS CATCHER ACCESSORY

① KIT, Grass Catcher (Not Shown)



MANUAL #06092 (REV. 6/88)

11.1

EXTRA TOUGH SERIES 6

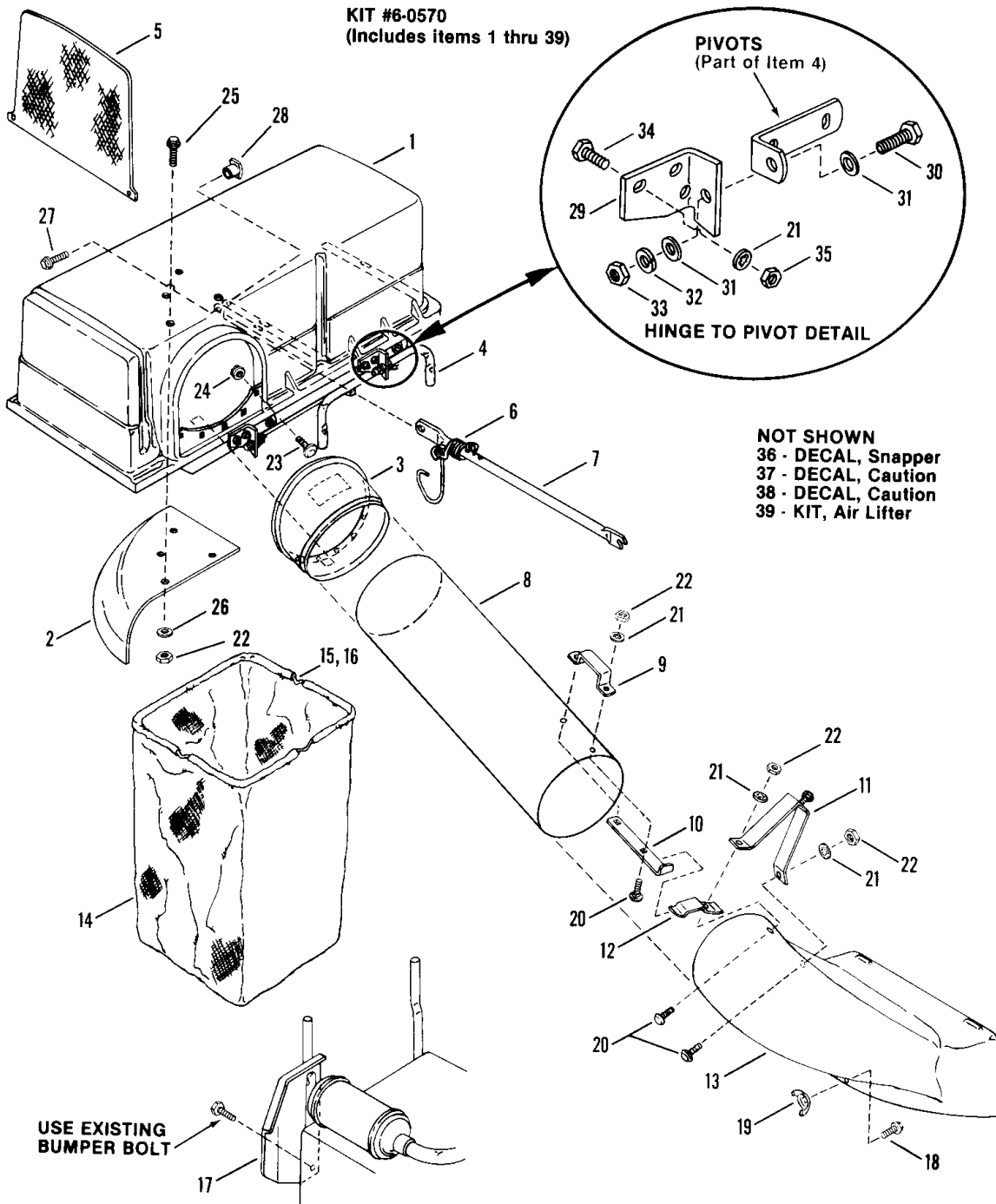
GRASS CATCHER ACCESSORY

ITEM	PART NO.	DESCRIPTION
1	6-0351	KIT, Grass Catcher 28" & 33"
-	6-0789	KIT, Grass Catcher ('88 & Later 30" Models)
-	6-0183	KIT, Grass Catcher ('87 & Earlier 30" Models)
-	6-0777	KIT, Grass Catcher (41" Models)
2	5-1303	TOP, Container - (30" '87 & Earlier Models) (Includes Decal #1-1910)
-	5-1304	TOP, Container - (28", 33" & 41") (30" '88 & Later Models) (Includes Decal #1-1910)
3	1-8081	SKIRT, Dust (Included as part of item 6)
4	4-9557	FRAME, Structure
5	5-7248	ROD, Bag (Includes item 7)
6	1-8177	BAG, Grass (Includes Skirt, item 3)
7	1-2556	CONNECTOR, Bag Rod
8	3-1725	LATCH
9	9-0228	SCREW, 5/16-24x11/16" Oval Head Machine (6)
10	9-0532	SCREW, #10-32x1 3/8" Hex Head Cap
11	9-0376	NUT, #10-32 Hex Lock
12	1-1784	WASHER, Faceted
13	1-4750	TUBE, Grass (30" '87 & Earlier Models)
-	1-4517	TUBE, Grass (28" & 33") (30" '88 & Later Models)
-	1-5662	TUBE, Grass (41" Models)
14	1-9912	ADAPTER, Deck - (28" & 33") Models
-	5-1390	ADAPTER, Deck (30" '87 & Earlier Models)
-	5-1663	ADAPTER, Deck (41" Models) (30" '88 & Later Models)
15	3-7745	HANDLE, Tube
16	3-1952	BASE, Handle
17	3-1951	LATCH, Tube
18	3-7725	BRACKET, Stand-Off (28" & 33" Models)
19	3-1715	PIN, Adapter Retention (30" '87 & Earlier Models)
20	3-1123	CLAMP, Adapter Retention (30" '87 & Earlier Models)
21	3-1714	BRACKET, Adjustment (30" '87 & Earlier Models)
22	3-1713	STOP, Tube (30" '87 & Earlier Models)
23	3-1724	AIR-LIFT, (30" & 41" Models)
-	3-7723	AIR-LIFT, (28" & 33" Models)
24	9-0375	NUT, 5/16-18 Wing
25	9-0383	BOLT, 5/16-18x1" Carriage
26	9-0074	BOLT, 1/4-20x3/4" Carriage
-	9-0803	BOLT, 1/4-20x5/8" Flat Head Carriage (2) (41" Models Only)
27	9-0053	WASHER, 1/4 Internal Tooth Lock
28	9-0063	NUT, 1/4-20 Hex
-	9-0583	NUT, 1/4-20 Hex Flange Lock (2) (41" Models)
29	9-0545	SCREW, 5/16-24x1 1/2 R.H. Machine
30	9-0391	WASHER, 5/16 Internal Tooth Lock
31	9-0188	WASHER, 5/16 SAE
32	9-0223	NUT, 5/16-24 Hex
33	9-0005	BOLT, 1/4-20x1/2" Carriage
34	9-0055	WASHER, 1/4 SAE
35	9-0372	NUT, 1/4-20 Hex Lock
36	9-0024	SCREW, #10-32x1/2" R.H. Machine
37	9-0011	WASHER, #10 Internal Tooth Lock
38	9-0013	NUT, #10-32 Hex
39	3-6076	SHIELD, Muffler Heat
40	9-0541	SCREW, 1/4-28x3/4" Hex Cap (2)
41	9-0095	NUT, 1/4-28 Hex (2)
42	9-0548	SCREW, 1/4-20x1" Hex Cap
43	1-5663	RIB, Grass Tube * (PARTS NOT SHOWN 41" MODELS ONLY)
* 44	3-8277	BAFFLE
* 45	9-0599	SCREW, 5/16-18x3/4" Machine (3)
* 46	9-0585	NUT, 5/16-18 Hex Flange Lock (3)
* 47	1-9795	BLADE (41" Models Only)
* 48	9-0824	SCREW, 3/8-24x1-1/4 Hex Head Cap (41" Models Only)
-	6-0735	KIT, Air Lift (30" & 41" Models)
-	6-0480	KIT, Air Lift (28" & 33" Models)
-	5-1722	ASSEMBLY, Grass Tube (Incl. items 13 (1-5662) & 43 (1-5663))

ReitermÄher Bezeichnung: Extra Tough Rear-Engine Riding Mowers Serie 6 Modell: 2811X6S, 2812XS, 3011X6S, 3012X6S,

**TWIN-BAG GRASS CATCHER
28", 30" & 33" MODELS**

**KIT #6-0570
(Includes items 1 thru 39)**



MANUAL #06092 (REV. 6/88)

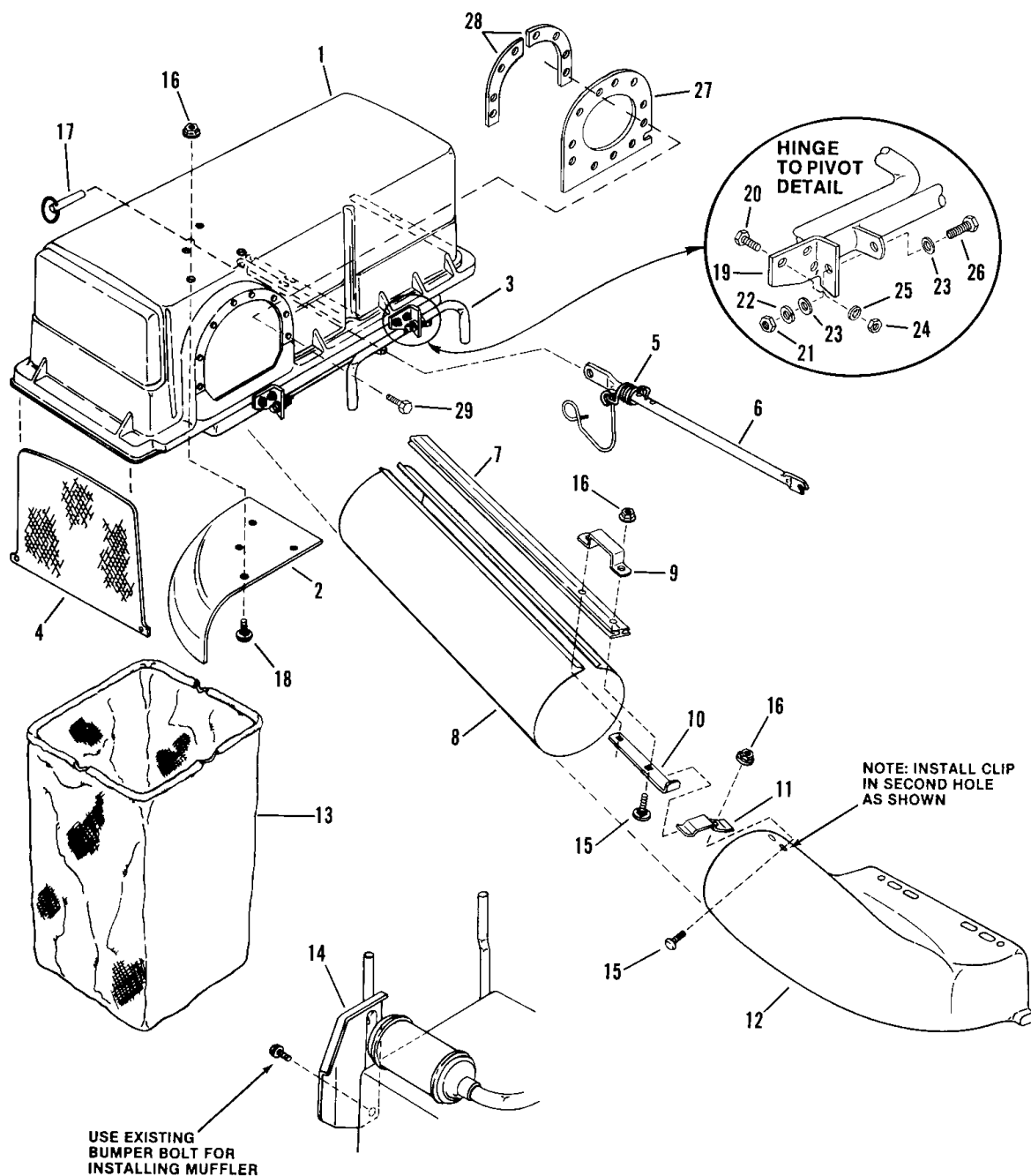
11.3

EXTRA TOUGH SERIES 6

TWIN-BAG GRASS CATCHER 28", 30" & 33" MODELS

ITEM	PART NO.	DESCRIPTION
-	6-0570	KIT, Twin-Bag Grass Catcher (28" & 33" Models) (Incl. items 1 - 38)
1	5-9626	ASSEMBLY, Cover (Includes 3-6075 Bar)
2	1-9725	SECTOR (Inside Top Baffle)
3	1-9966	INLET
4	5-9836	ASSEMBLY, Mounting (Includes Following Indented Items)
-	3-5032	SUPPORTS, Bag (2)
-	3-5033	HOLDER, Bag Supports
-	3-6074	HOLDER, Inlet
-	3-2427	SPACER CLIP, Left Side Hinge Pivot
-	3-2311	PIVOT, Hinge
-	3-6071	CLOSURE, Right Side
-	3-6072	MOUNTING, Bagger Support Tube
5	5-7341	SCREEN ASSEMBLY (Includes 1-9731 Screen & 1-9732 Frame)
6	5-1407	SPRING & HOOK ASSEMBLY
7	3-6073	BRACE
8	1-4517	TUBE, Grass
9	3-7745	HANDLE, Tube
10	3-1952	BASE, Tube Handle
11	3-7725	BRACKET, Stand-Off
12	3-1951	LATCH, Tube
13	1-9912	ADAPTER, (Chute)
14	1-8613	BAG, Grass Catcher (2)
15	1-9965	ROD, Bag Support
16	1-4456	CONNECTOR, Rod
17	3-6076	SHIELD, Muffler Heat
18	9-0383	BOLT, 5/16-18x1" Short Neck Carriage
19	9-0375	NUT, 5/16-18 Wing
20	9-0074	BOLT, 1/4-20x3/4" Short Neck Carriage (4)
21	9-0053	WASHER, 1/4 Internal Tooth Lock (8)
22	9-0063	NUT, 1/4-20 Hex (8)
23	9-0005	BOLT, 1/4-20x1/2" Short Neck Carriage (5)
24	9-0477	NUT, 1/4-20 Hex Flange Lock (5)
25	9-0847	SCREW, 1/4-20x3/4" Machine (4)
26	9-0055	WASHER, 1/4 Flat (4)
27	9-0830	SCREW, 5/16-18x1-1/2" Flat Head Recess
28	3-1928	NUT, 5/16-18 Tee
29	3-8087	HINGE, Top (2)
30	9-0238	SCREW, 5/16-24x1" Hex Head Cap (2)
31	9-0188	WASHER, 5/16 Flat (4)
32	9-0187	WASHER, 5/16 Split Lock (2)
33	9-0222	NUT, 5/16-24 Hex Lock (2)
34	9-0541	SCREW, 1/4-28x3/4" Hex Head Cap (4)
35	9-0095	NUT, 1/4-28 Hex (4)
36	1-8593	DECAL, SNAPPER (11-1/2" Long)
37	1-1910	DECAL, Caution (On Inlet - item 3)
38	1-1964	DECAL, Caution (Grass Bag)
-	6-0480	KIT, Air Lift (28" & 33" Models)
-	6-0480	KIT, Air Lift (30" Models)

**TWIN BAG GRASS CATCHER
41" MODELS**



MANUAL #06092 (REV. 6/88)

11.5

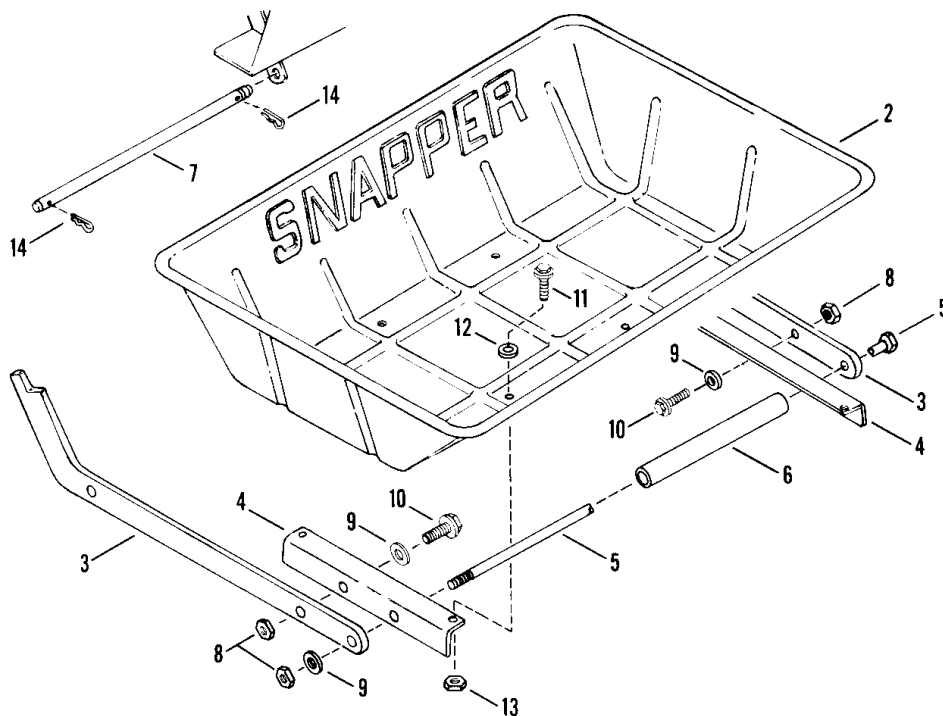
EXTRA TOUGH SERIES 6

TWIN BAG GRASS CATCHER 41" MODELS

ITEM	PART NO.	DESCRIPTION
-	6-0772	KIT, Twin-Bag Grass Catcher (41" Models)(Includes items 1 thru 35)
1	5-9710	ASSEMBLY, Cover (Includes 31 thru 33 & indented items)
-	3-6075	BAR, Reinforcement
-	1-2688	NUT, #10-24 Hex Lock (2)
-	9-0530	BOLT, #10-24x1/2" Carriage (2)
2	1-9725	SECTOR (Inside Top Baffle)
3	4-9980	ASSEMBLY, Mounting
4	5-7341	ASSEMBLY, Screen (Includes 1-9731 Screen & 1-9732 Frame)
5	5-1407	ASSEMBLY, Spring & Hook
6	3-6073	BRACE
7	1-5607	RIB, Grass Tube
8	1-5606	TUBE, Grass
9	3-7745	HANDLE, Tube
10	3-1952	BASE, Tube Handle
11	3-1951	LATCH, Tube
12	5-1663	ADAPTER, Tube
13	5-1405	ASSEMBLY, Bag (Includes following indented items)
-	1-8613	BAG, Grass Catcher (2)
-	1-9965	ROD, Bag Support (2)
-	1-4456	CONNECTOR, Rod (2)
14	3-6076	SHIELD, Muffler Heat
15	9-0803	BOLT, 1/4-20x3/4" Flat Head Carriage (3)
16	9-0583	NUT, 1/4-20 Hex Flange Lock (7)
17	1-5610	PIN, Quick Release
18	9-0005	BOLT, 1/4-20x1/2" Short Neck Carriage (4)
19	3-8087	HINGE, Top (2)
20	9-0541	SCREW, 1/4-28x3/4" Hex Head Cap (4)
21	9-0222	NUT, 5/16-24 Hex Lock (2)
22	9-0187	WASHER, 5/16 Split Lock (2)
23	9-0188	WASHER, 5/16 Flat (4)
24	9-0095	NUT, 1/4-28 Hex (4)
25	9-0053	WASHER, 1/4 Internal Tooth Lock (4)
26	9-0238	SCREW, 5/16-24x1" Hex Head Cap (2)
27	1-9794	SEAL, Cover
28	3-8276	CLAMP, Seal (2)
29	9-0853	SCREW, #10-24x1-1/2" Self-Tapping (8)
-	1-9795	BLADE
-	3-8277	BAFFLE
-	5-1721	ASSEMBLY, Grass Tube (Includes items 7 & 8)
-	1-8593	DECAL, SNAPPER
-	1-1910	DECAL, Caution
-	1-1964	DECAL, Caution (Grass Bag)
-	6-0735	KIT, Air Lift (41" Models)
-	6-0773	BAG, Hardware

LOAD CARRIER ACCESSORY

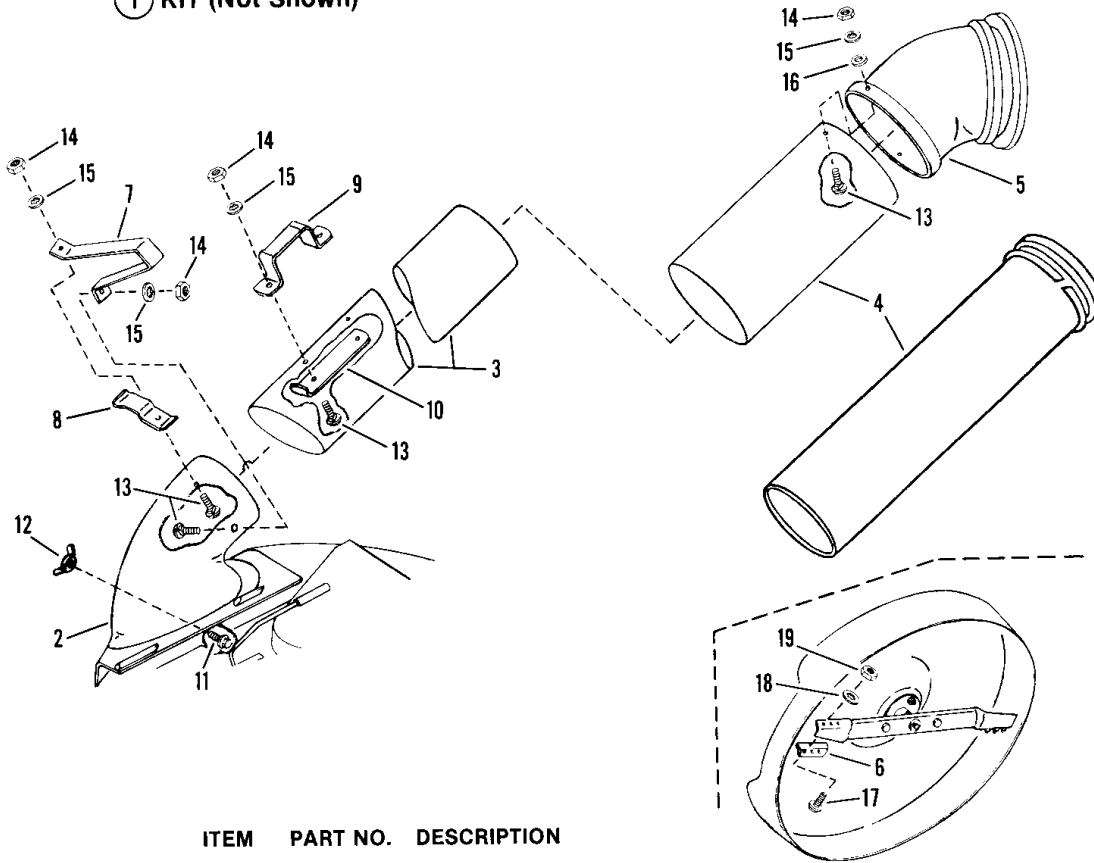
① **KIT, Load Carrier
(Not Shown)**



ITEM	PART NO.	DESCRIPTION
1	6-0197	KIT, Load Carrier (Includes items 2 thru 14)
2	1-1822	BOX, Tote
3	3-7342	RAIL, Side (2)
4	3-1737	BRACE (2)
5	1-1832	BOLT, 3/8-16x10", Tote Box
6	3-1738	SPACER, Box
7	2-1153	PIN (2)
8	9-0499	LOCKNUT, 3/8-16 Hex (3)
9	9-0122	WASHER, 3/8 SAE (3)
10	9-0138	CAPSCREW, 3/8-16x1", Hex Head (2)
11	9-0541	CAPSCREW, 1/4-28x3/4" Grade 5, Hex Head
12	9-0055	WASHER, 1/4 SAE (4)
13	9-0303	LOCKNUT, 1/4-28, Hex (4)
14	1-1714	PIN, Hair (2)

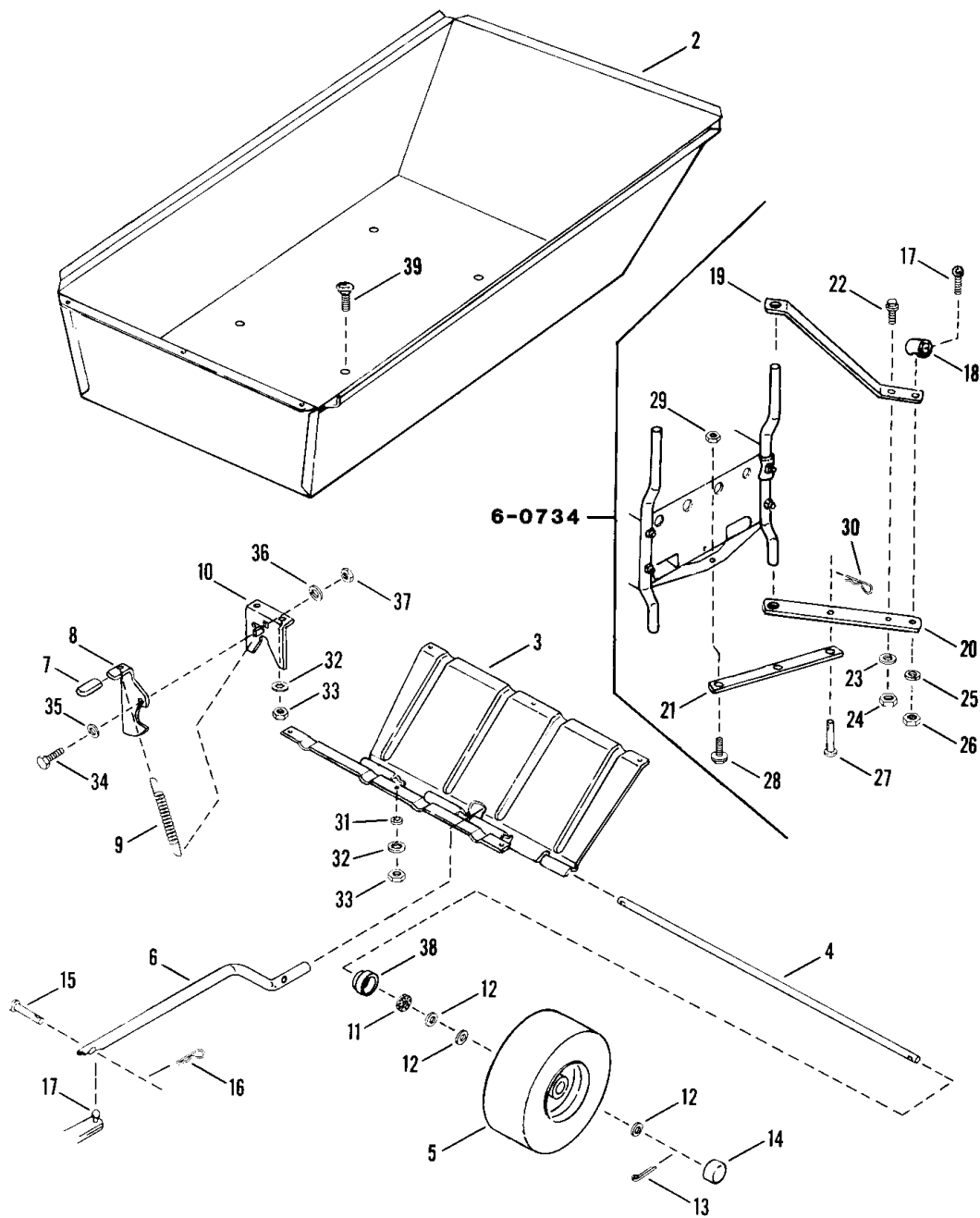
BAG-N-WAGON ACCESSORY

① KIT (Not Shown)



ITEM	PART NO.	DESCRIPTION
1	6-0300	KIT, Snapper Bag-N-Wagon (Complete)
-	6-0302	KIT, Wagon Cover (Part of Kit 6-0300 - (See Page 11.11)
2	1-9912	ADAPTER, Deck
3	1-4751	TUBE, Grass (8" Dia.)('87 & Earlier Models)
-	2-3115	TUBE, Grass (8" Dia.)('88 & Later Models)
4	1-4749	TUBE, Grass (10" Dia.)('87 & Earlier Models)
-	1-8985	TUBE, Grass ('88 & Later Models)
5	1-2408	ELBOW, Grass Tube ('87 & Earlier Models)
6	3-7723	AIR-LIFT, Blade (2)
7	3-7725	BRACKET, Stand-Off
8	3-1951	LATCH, Tube
9	3-7745	HANDLE, Tube
10	3-1952	BASE, Tube Handle
11	9-0383	BOLT, 5/16-18x1" Carriage
12	9-0375	NUT, 5/16-18 Wing
13	9-0074	BOLT, 1/4-20x3/4" Carriage (6)
14	9-0063	NUT, 1/4-20 Hex (6)
15	9-0053	WASHER, 1/4 Internal Tooth Lock (4)
16	9-0188	WASHER 5/16 Flat (4)
17	9-0228	SCREW, 5/16-24x21/32" Machine (6)
18	9-0391	WASHER, 5/16 Internal Tooth Lock (6)
19	9-0223	NUT, 5/16-24 Hex (6)

BAG-N-WAGON ACCESSORY



MANUAL #06092 (REV. 6/88)

11.9

EXTRA TOUGH SERIES 6

BAG-N-WAGON ACCESSORY

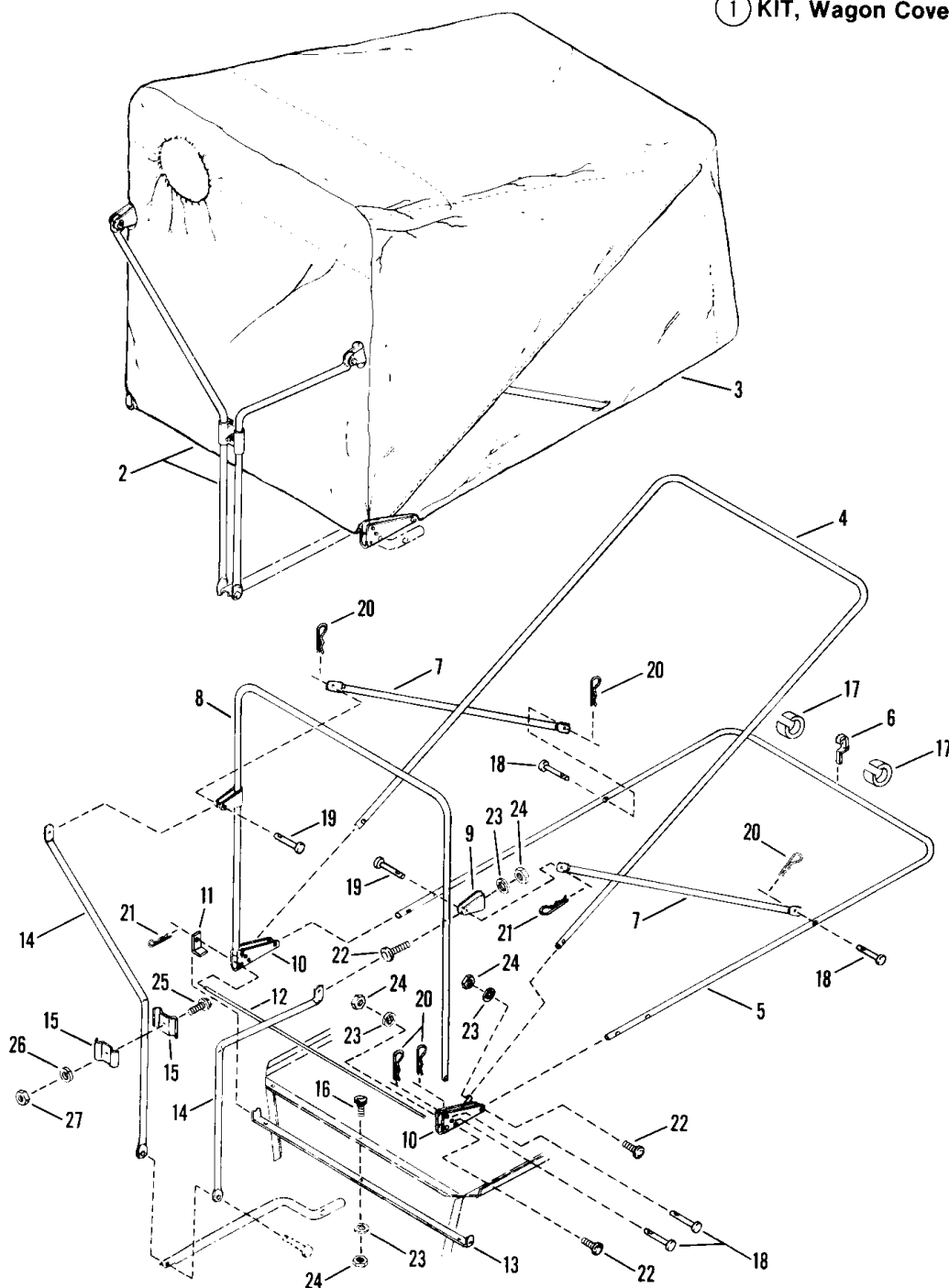
ITEM	PART NO.	DESCRIPTION
1	6-0734	ASSEMBLY, Hitch (includes item 17 thru 30)
2	4-0446	BODY, Wagon Cart
3	3-9604	SUPPORT, Axle
4	3-1949	AXLE
5	5-0618	WHEEL/TIRE ASSM'Y. (Semi-Pneumatic; Replace As Unit)(2)
6	3-1946	TONGUE
7	1-2391	GRIP, Latch
8	3-7736	LATCH
9	1-3694	SPRING, Latch
10	3-7737	YOKE
11	1-1032	WASHER, Felt (2)
12	1-0935	WASHER (6)
13	9-0364	COTTER-PIN, 5/32x1" (2)
14	1-1022	COVER, Dust (2)
15	1-1713	PIN, 3/8 Clevis
16	1-1714	PIN, Hair
17	1-2388	BALL, Hitch
18	2-1762	COLLAR, Hitch
19	3-7744	BAR, Upper Draw
20	3-7742	BRACE, Draw Bar
21	3-7743	BAR, Lower Draw
22	9-0160	SCREW, 3/8-24x1" Hex Head Cap
23	9-0118	WASHER, 3/8 Split Lock
24	9-0155	NUT, 3/8-24 Hex
25	9-0247	WASHER, 7/16 Split Lock
26	9-0460	NUT, 7/16-20 Hex
27	1-2389	PIN, Hitch Clevis
28	9-0268	SCREW, 1/2-20x1" Hex Head Cap
29	9-0393	NUT, 1/2-20 Hex Lock
30	1-5067	PIN, Hair
31	1-2485	RETAINER, 1/4 Bolt (6)
32	9-0053	WASHER, 1/4 Internal Tooth Lock (8)
33	9-0063	NUT, 1/4-20 Hex (8)
34	1-1078	BOLT, 5/16-18 Shoulder
35	1-1079	WASHER, Spring
36	9-0187	WASHER, 5/16 Split Lock
37	9-0196	NUT, 5/16-18 Hex
38	3-1038	DUST-CAP (2)
39	9-0074	BOLT, 1/4-20x3/4" Carriage (6)
-	1-8593	DECAL, SNAPPER (2)
-	1-2464	DECAL, Max Load Warning

SEE PAGE 11.15 FOR DUMP CART KIT

USE HITCH ASSEMBLY NUMBER for BAG-N-WAGON

BAG-N-WAGON, FRAME & CANOPY

① KIT, Wagon Cover



MANUAL #06092 (REV. 6/88)

11.11

EXTRA TOUGH SERIES 6

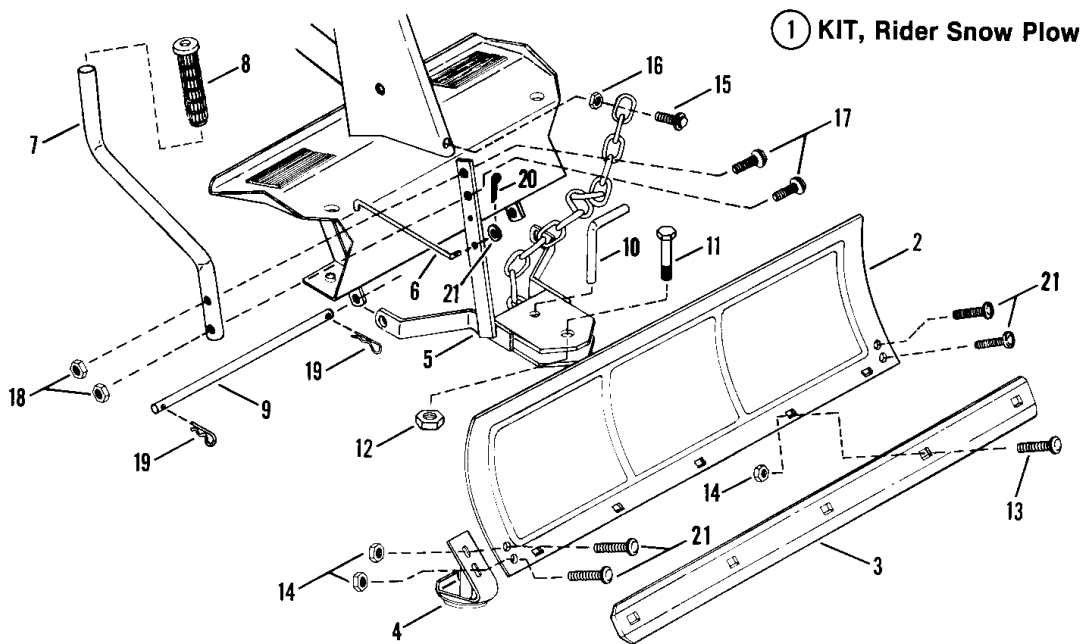
BAG-N-WAGON, FRAME & CANOPY

ITEM	PART NO.	DESCRIPTION
1	6-0302	KIT, Wagon Cover (Also Part of 6-0300,P.11.11)(Includes items 2 thru 27)
2	5-0806	FRAME/CANOPY ASSEMBLY (Includes items 3 thru 27)
3	1-2396	CANOPY, Cloth Only
4	3-1943	FRAME, Center
5	3-1945	FRAME, Base
6	3-1950	LOCK, Canopy
7	3-1941	BRACE, Frame (2)
8	3-1944	FRAME, Front
9	3-1939	CLAMP, Rod (2)
10	3-1938	BRACKET, Corner (2)
11	3-1948	CLIP, Hinge
12	2-1761	PIN, Hinge
13	3-1940	MOUNT, Hinge
14	3-1942	STRUT, Frame (2)
15	3-1956	CLAMP, Strut (2)
16	9-0074	BOLT, 1/4-20x3/4" Carriage (3)
17	1-0996	BUSHING, Plastic Wear Pads (2)
18	1-2393	PIN, 1/4x1 1/8" Clevis (6)
19	1-2407	PIN, 5/16 Clevis (2)
20	1-2431	PIN, 1/4 Hair (6)
21	1-5067	PIN, Hair (2)
22	9-0496	BOLT, 1/4-20x1" Carriage (6)
23	9-0053	WASHER, 1/4 Internal Tooth Lock (9)
24	9-0063	NUT, 1/4-20 Hex (9)
25	9-0160	SCREW, 3/8-24x1" Hex Head Cap
26	9-0118	WASHER, 3/8 Split Lock
27	9-0155	NUT, 3/8-24 Hex

NOT SHOWN

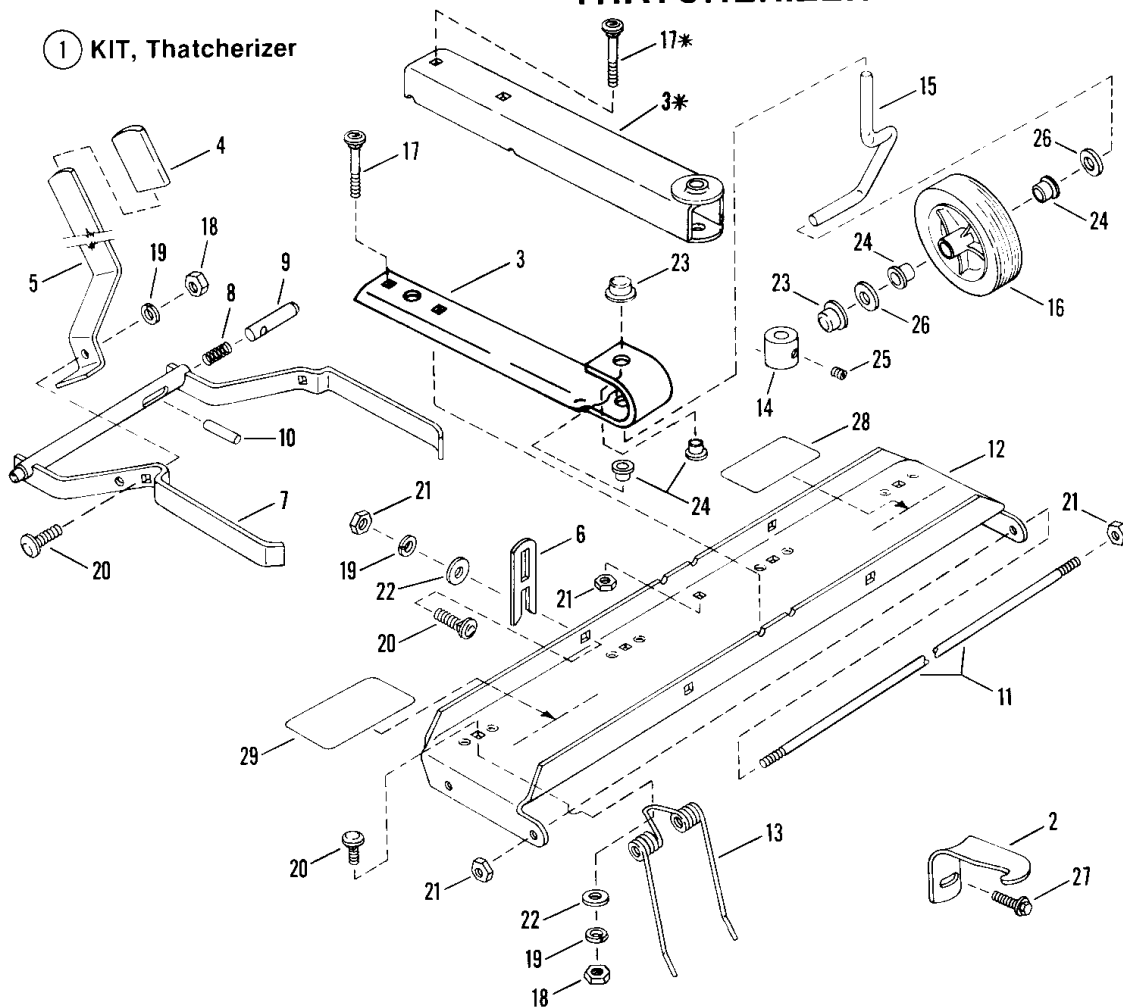
ADAPTER, Air Lift, Grass Tube (See Page 11.8)

SNOW/DOZER PLOW ACCESSORY



ITEM	PART NO.	DESCRIPTION
1	6-0294	KIT, Rider Snow Plow (Includes items 2 thru 22)
2	4-7727	BLADE, Snow
3	3-7733	SCRAPER
4	4-0445	SLIDE, Blade (2)
5	4-7351	BRACKET, Blade Lift
6	4-0466	LATCH (Replaces 1-1995)
7	5-7084	HANDLE
8	1-1870	GRIP, Handle
9	2-1153	PIN, Holding
10	3-1002	PIN, "L"
11	9-0017	SCREW, 1/2-20x2 3/4" Hex Head Cap
12	9-0266	NUT, 1/2-20 Hex Lock
13	9-0850	BOLT, 3/8-16x3/4" Carriage (5)
14	9-0546	NUT, 3/8-16 Hex Lock (9)
15	9-0369	SCREW, 5/16-18x1", Self-Tapping
16	9-0196	NUT, 5/16-18 Hex
17	9-0161	SCREW, 3/8-24x1 3/4" Hex Head Cap (2)
18	9-0289	NUT, 3/8-24 Hex Lock (2)
19	1-1714	PIN, Hair (2)
20	9-0365	PIN, 1/8x3/4" Cotter
21	9-0747	BOLT, 3/8-16x1" Carriage (4)

THATCHERIZER ACCESSORY



ITEM	PART NO.	DESCRIPTION	ITEM	PART NO.	DESCRIPTION
1	6-0479	KIT, Thatcherizer (Includes items 2 thru 29)	15	1-8493	AXLE, Wheel
2	1-8495	BRACKET, Transport Lock	16	1-8189	WHEEL, 7"
3	1-8700	SUPPORT, Wheel Assembly	17	9-0015	CARRIAGE BOLT, 1/4-20x1 3/4" (2)
-	1-8492	SUPPORT, Wheel Assembly	-	9-0798	CARRIAGE BOLT, 1/4-20x2 1/2 (2)
4	1-4109	GRIP, Handle	18	9-0196	NUT, 5/16-18 Hex (9)
5	1-8494	HANDLE, Lift	19	9-0187	LOCKWASHER, 5/16 Split (13)
6	1-4108	STRAP, Frame Mount (4)	20	9-0383	CARRIAGE BOLT, 5/16-18x1" (13)
7	1-4104	FRAME, Thatcherizer	21	9-0761	LOCKNUT, 1/4-20 Hex (10)
8	1-4107	SPRING, Compression	22	1-4098	WASHER, Reinforcing (12)
9	1-4105	PIN, Locking	23	1-4101	PUSH-NUT, 1/2" (2)
10	1-4106	ROLL-PIN	24	1-4342	BEARING, Nyliner, Snap-In (4)
11	1-4110	ROD, Tine Retainer	25	1-4103	SET-SCREW, 5/16-18x1/4" Slotted
12	1-9947	TRAY, Tine (28")	26	9-0250	WASHER, 1/2" SAE (2)
13	1-8491	SPRING, Tine Thatching (8)	27	9-0765	SCREW, 5/16-18x3/4" HHS-Tapping
14	1-4100	BUSHING	28	1-4119	DECAL, Instruction
			29	1-4062	DECAL, Thatcherizer

EXTRA TOUGH SERIES 6

11.14

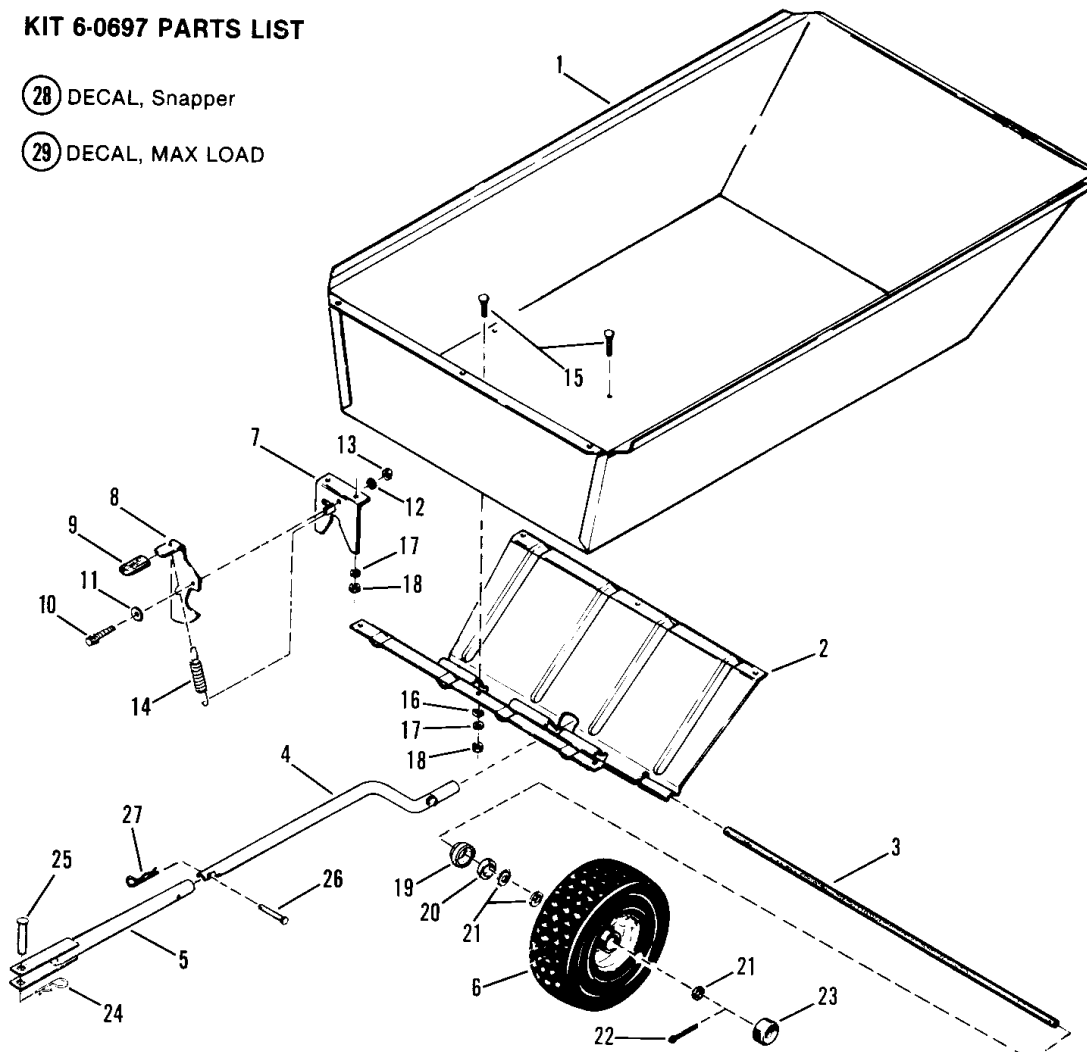
(REV. 6/88) MANUAL #06092

DUMP CART ACCESSORY

KIT 6-0697 PARTS LIST

28 DECAL, Snapper

29 DECAL, MAX LOAD



ITEM	PART NO.	DESCRIPTION
1	4-0446	BODY, Dump Wagon
2	3-9604	SUPPORT, Axle
3	3-1949	AXLE
4	3-1946	TONGUE
5	4-7869	DRAW-BAR
6	5-0618	TIRE, Semi-Pneumatic (2)
7	3-7737	BASE, Latch (Yoke)
8	3-7736	LATCH
9	1-2391	GRIP, Latch
10	1-1078	BOLT, 5/16-18 Shoulder
11	1-1079	WASHER, Spring
12	9-0187	WASHER, 5/16 Split Lock
13	9-0196	NUT, 5/16-18 Hex
14	1-3694	SPRING, Latch
15	9-0074	BOLT, 1/4-20x3/4 Carriage (8)

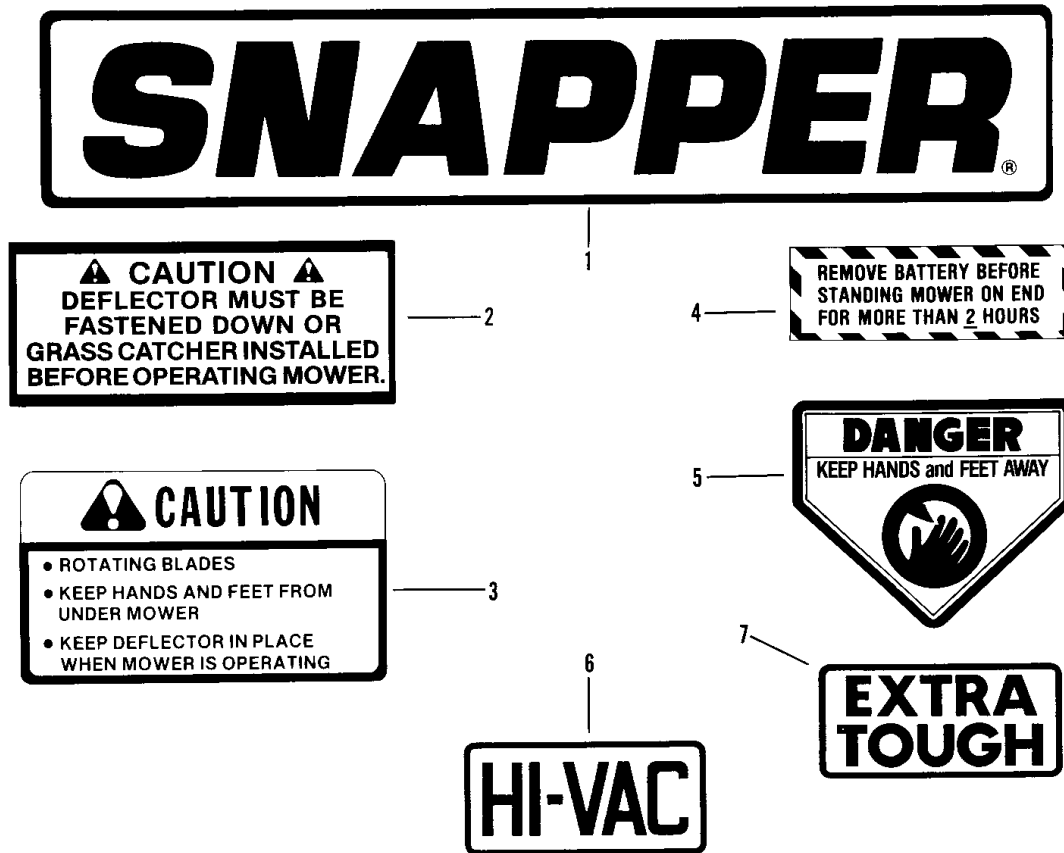
ITEM	PART NO.	DESCRIPTION
16	1-2485	RETAINER, 1/4" Bolt (6)
17	9-0053	WASHER, 1/4 Internal Lock (8)
18	9-0063	NUT, 1/4-20 Hex (8)
19	3-1038	DUST CAP (2)
20	1-1032	WASHER, Felt (2)
21	1-0935	WASHER, Flat (6)
22	9-0364	COTTER-PIN, 5/32x1" (2)
23	1-1022	HUB-CAP (2)
24	1-1768	CLEVIS-PIN, 1/2-2"
25	1-5067	HAIR-PIN, 1-7/16
26	1-1713	CLEVIS-PIN, 3/8x2-1/4
27	1-1714	HAIR-PIN, 3/32x1-7/8"
28	1-8593	DECAL, Snapper (2)
29	1-2464	DECAL, MAX LOAD Warning

MANUAL #06092 (REV. 6/88)

11.15

EXTRA TOUGH SERIES 6

DECALS



ITEM	PART NO.	DESCRIPTION
1	1-8586	DECAL, Snapper
2	1-4416	DECAL, Caution - Deflector
3	1-9582	DECAL, Caution - Rotating Blades
4	1-2358	DECAL, Battery
5	1-3871	DECAL, Danger
6	1-5032	DECAL, Hi-Vac
7	1-5031	DECAL, Extra Tough
8	1-1964	DECAL, Caution - Grass Bag (Not Shown)
9	1-1910	DECAL, Caution - Carrier (Not Shown)
10	1-2464	DECAL, Maximum Capacity (Not Shown)
11	1-4119	DECAL, Thatcherizer (Not Shown)

Parts Manual for

SNAPPER[®]

EXTRA TOUGH

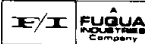
SERIES 6

REAR-ENGINE

RIDING MOWERS

IT IS THE POLICY OF SNAPPER POWER EQUIPMENT TO IMPROVE ITS PRODUCTS WHENEVER IT IS POSSIBLE AND PRACTICAL TO DO SO. WE RESERVE THE RIGHT TO MAKE CHANGES OR ADD IMPROVEMENTS AT ANY TIME WITHOUT INCURRING ANY OBLIGATION TO MAKE SUCH CHANGES ON PRODUCTS MANUFACTURED PREVIOUSLY.

SNAPPER POWER EQUIPMENT
McDonough, GA • 30253



MANUAL #06092

Printed in U.S.A.