

4049542788

APR 07 '95 07:52AM SNAPPER USA

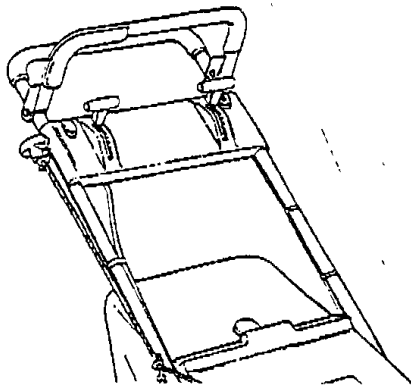
P.1/7

Parts Manual for

SNAPPER®

Attn: Roland

**21" PLATINUM SERIES
CAST ALUMINUM REAR
DISCHARGE
SELF-PROPELLED
WALK BEHIND
MOWER MODELS**



LP21550

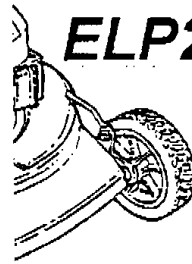
LP21550V

NLP21550V

ELP21500KWV

SERIES 0

**The Addition Of EURO
Model ELP21500KWV
Has Been Added To
This Parts Manual**



Amie

SNAPPER

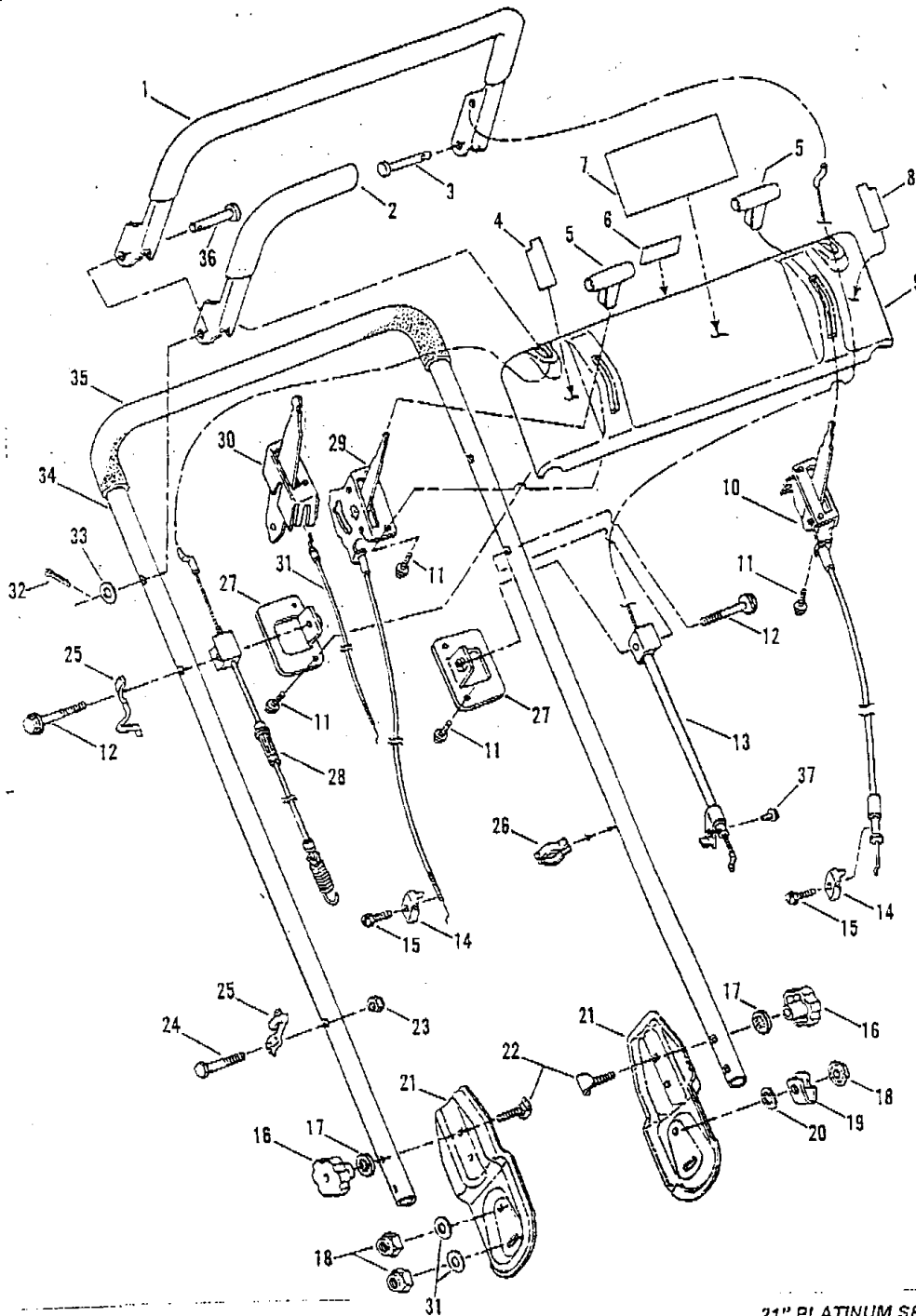
McDonough, GA., 30253 U.S.A.

MANUAL No. 06196 (Rev. 1, 4/95)

APP 07 195 07:53AM SNAPPER USA

P.2/7

HANDLES & CONTROLS



MANUAL No. 06196 (Rev. 1, 4/95)

2

21" PLATINUM SERIES O, S.P.

APR 07 '95 07:53AM SNAPPER USA

P. 3/7

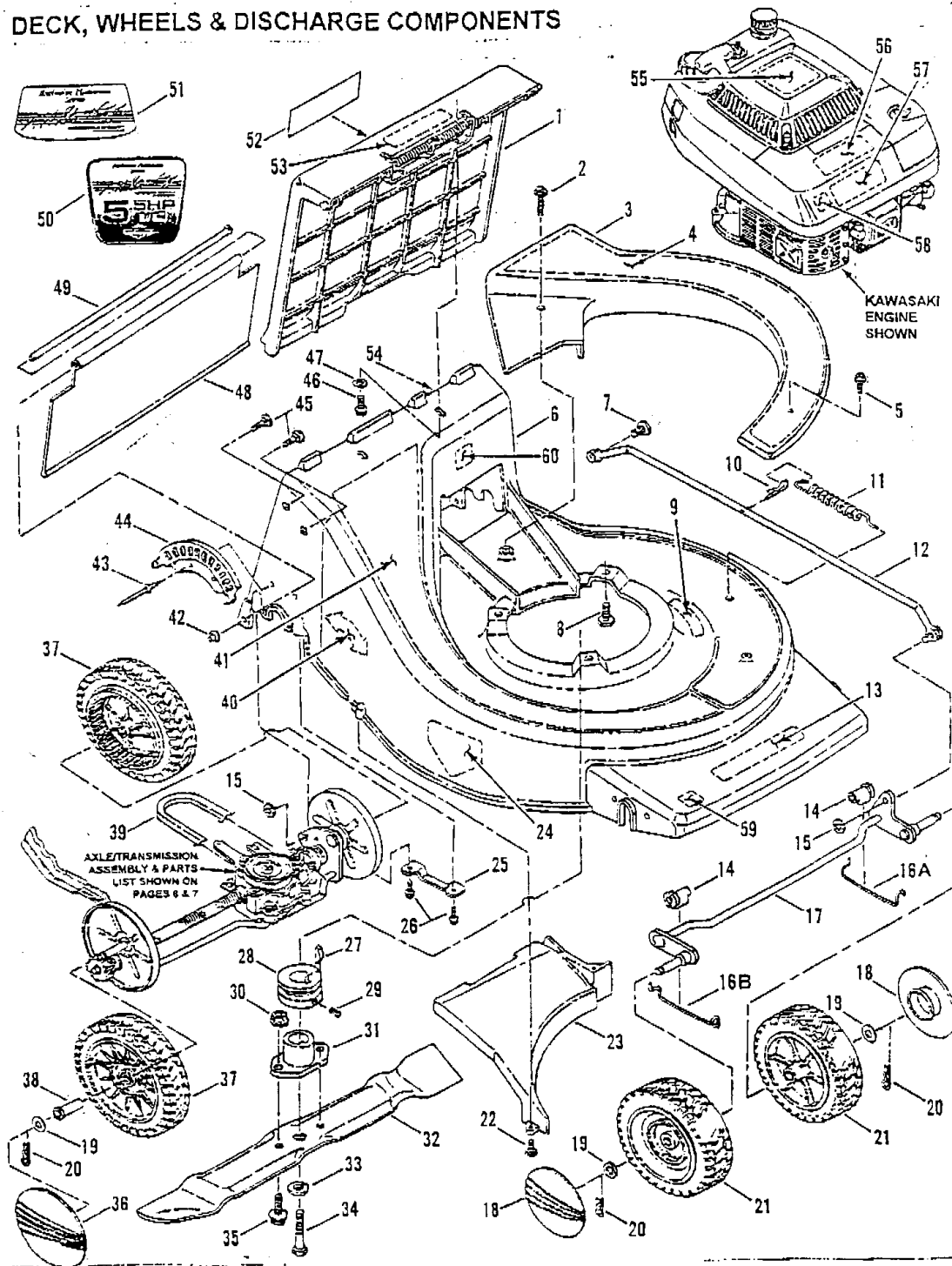
HANDLES & CONTROLS

ITEM	PART NO.	DESCRIPTION
1	2-6422	CONTROL, Blade
2	2-6389	CONTROL, Traction
3	9-1645	PIN, 5/16 x 1 .43" Clevis
4	2-8434	DECAL, Engine Speed (With Choke)
-	2-8433	DECAL, Engine Speed (Without Choke)
-	2-9822	DECAL, Engine Speed (With Choke) (EURO Model ELP21500KWV)
5	2-8396	KNOB, Throttle Control & 3-Speed Control (2)
6	2-8436	DECAL, OPC/SP Instruction
-	2-9824	DECAL, OPC/SP Instruction (EURO Model ELP21500KWV)
7	2-8431	DECAL, Console
8	2-8435	DECAL, 3-Speed Control
-	2-9823	DECAL, 3-Speed Control (EURO Model ELP21500KWV)
9	2-6426	CONSOLE, Control
10	2-8398	CONTROL ASSEMBLY, 3-Speed
11	9-1105	SCREW, #10-16 x 1/2" Hex Washer Head, Self-Tapping (8)
12	9-1288	SCREW, 1/4-20 x 2" Hex Washer Head, Self-Tapping (2)
13	2-4561	CABLE ASSEMBLY, Blade Control
-	2-6393	CABLE ASSEMBLY, Blade Control (EURO Model ELP21500KWV)
14	2-3153	CLAMP, Throttle (3-Speed Control) (2)
15	2-3154	SCREW, #10-32 x 5/8" Slotted Hex Head, Self-Tapping (2)
16	2-3735	KNOB, 5/16-18 Thread (2)
17	9-0391	WASHER, 5/16 Internal Tooth Lock (2)
18	9-1646	NUT, 5/16-18 Hex Nyloc (4)
19	2-6436	CLAMP, Double Tube
20	1-1791	RETAINER, 5/16 Bolt
21	3-4329	BRACKET, Handle (2)
22	9-1189	SCREW, 5/16-18 x 2" Curved Head (2)
23	7-6978	NUT, 1/4-20 Hex Nyloc
24	7-9577	SCREW, 1/4-20 x 1 1/2" Hex Head Cap, Grade 5
25	2-2779	GUIDE, Rope (2)
26	2-6219	CLAMP, Cable (4)
27	3-4376	BRACKET, Console (2)
28	2-4562	CABLE, Traction
29	2-8402	CONTROL, Throttle (Brigg's & Stratton Engine With Choke)
-	2-8397	CONTROL, Throttle (Brigg's & Stratton Engine Without Choke)
30	2-8560	ASSEMBLY, Throttle Control (Kawasaki Engine) (EURO Model ELP21500KWV)
31	2-8559	CABLE, Throttle Control (Kawasaki Engine) (EURO Model ELP21500KWV)
32	9-0365	COTTER-PIN, 1/8 x 3/4" (2)
33	9-1076	WASHER, Flat, .343 I.D. x .688 O.D. (6)
34	3-3853	HANDLE, Upper
35	2-6216	GRIP, Foam
36	9-1644	PIN, 5/16 x 1.71" Clevis
37	9-1244	SCREW, M5 Thread, Hex Head Torx (EURO Model ELP21500KWV)

APR 07 '95 07:54AM SNAPPER USA

P. 4/7

DECK, WHEELS & DISCHARGE COMPONENTS



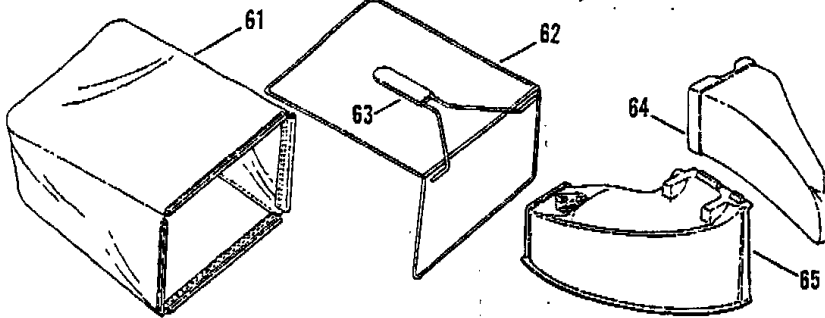
MANUAL No. 06196 (Rev. 1, 4/95)

21" PLATINUM SERIES O, S.P.

APR 07 '95 07:54AM SNAPPER USA

P. 5/7

DECK, WHEELS & DISCHARGE COMPONENTS



KITS AVAILABLE	
Part No.	Description
6-1396	KIT, Grass Catcher
6-1397	KIT, Side Discharge
6-1247	Chute
6-1398	KIT, Mulching

ITEM	PART NO.	DESCRIPTION
1	5-2881	ASSEMBLY, Discharge Door
2	9-1201	SCREW, #10-24 x 1 1/2" Slotted, Hex Washer Head, Self-Tapping
3	2-4752	COVER, Belt/Tie Bar
4	2-8443	DECAL, Deck (Left Side)
5	9-1213	SCREW, #10-24 x 1" Slotted, Hex Washer Head, Self-Tapping
6	2-8467	DECK, 21" Cast Aluminum
-	2-8452	DECK, 21" Cast Aluminum (EURO Model ELP21500KWV)
7	9-1232	PIN, Tie Bar, 3/8 x 5/8"
8	9-0324	SCREW, 3/8-16 x 1" Hex Head, Self-Tapping (3)
9	2-8440	DECAL - WARNING (Deck)
10	9-0365	COTTER-PIN, 1/8 x 3/4"
11	2-4751	SPRING, Tie Bar
12	4-1364	ASSEMBLY, Tie Bar
13	2-8444	LOGO, SNAPPER Platinum Series
14	2-4558	BUSHING, Front Axle (2)
15	1-3948	RETAINER, Wheel (2)
16A	3-4340	SPRING, Axle Retaining (Left Side)
16B	3-4341	SPRING, Axle Retaining (Right Side)
17	4-1344	ASSEMBLY, Front Axle
18	1-6152	HUB-CAP, Front Wheels (2)
19	9-1192	WASHER, 1/2" Flat (4)
20	9-1193	HAIRPIN, .062 x .900" (4)
21	2-8456	ASSEMBLY, Wheels (Front) (2)
22	9-1075	SCREW, #10-24 x 5/8" Slotted, Hex Washer Head, Self-Tapping (4)
23	2-4595	BAFFLE, Discharge
24	1-3010	DECAL - DANGER
-	2-2841	DECAL - DANGER (EURO Model ELP21500KWV)
25	3-3732	SUPPORT, Rear Axle (2)
26	9-0362	SCREW, 1/4-20 x 5/8" Hex Washer Head, Self-Tapping (4)
27	9-1214	KEY, HP-506 Hi-Pro
-	1-0783	KEY, HP-505 Hi-Pro (EURO Model ELP21500KWV-Used with P.N. 2-6630)
28	1-5780	PULLEY, Traction Drive (Brigg's Engine)
-	2-1764	PULLEY, Traction Drive (Kawa. Engine)
29	9-0201	SCREW, 5/16-18 x 5/16" Hx. Socket Set
30	7-6979	NUT, 3/8-16 Hex Nylon (2)
31	2-6631	HUB, Blade Drive
-	2-6630	HUB, Blade Drive (EURO Model ELP21500KWV)
32	2-6427	BLADE, 21" Bagging (Shown)
-	2-6428	BLADE, 21" Mulching
-	3-3956	BLADE, 21" Recycling
33	7-9268	WASHER, 3/8 Split Lock (Heavy)
34	9-0483	SCREW, 3/8-24 x 1 3/4" Hex Head Cap, Grade 5
35	9-0143	BOLT, 3/8-16 x 1 1/4" Hex Flange Lock (2)
36	2-4540	HUB-CAP, Rear Wheels (2)
37	5-3508	ASSEMBLY, Rear Drive Wheels (2) (Includes item 38)
38	2-4541	BUSHING, Rear Wheel (2)

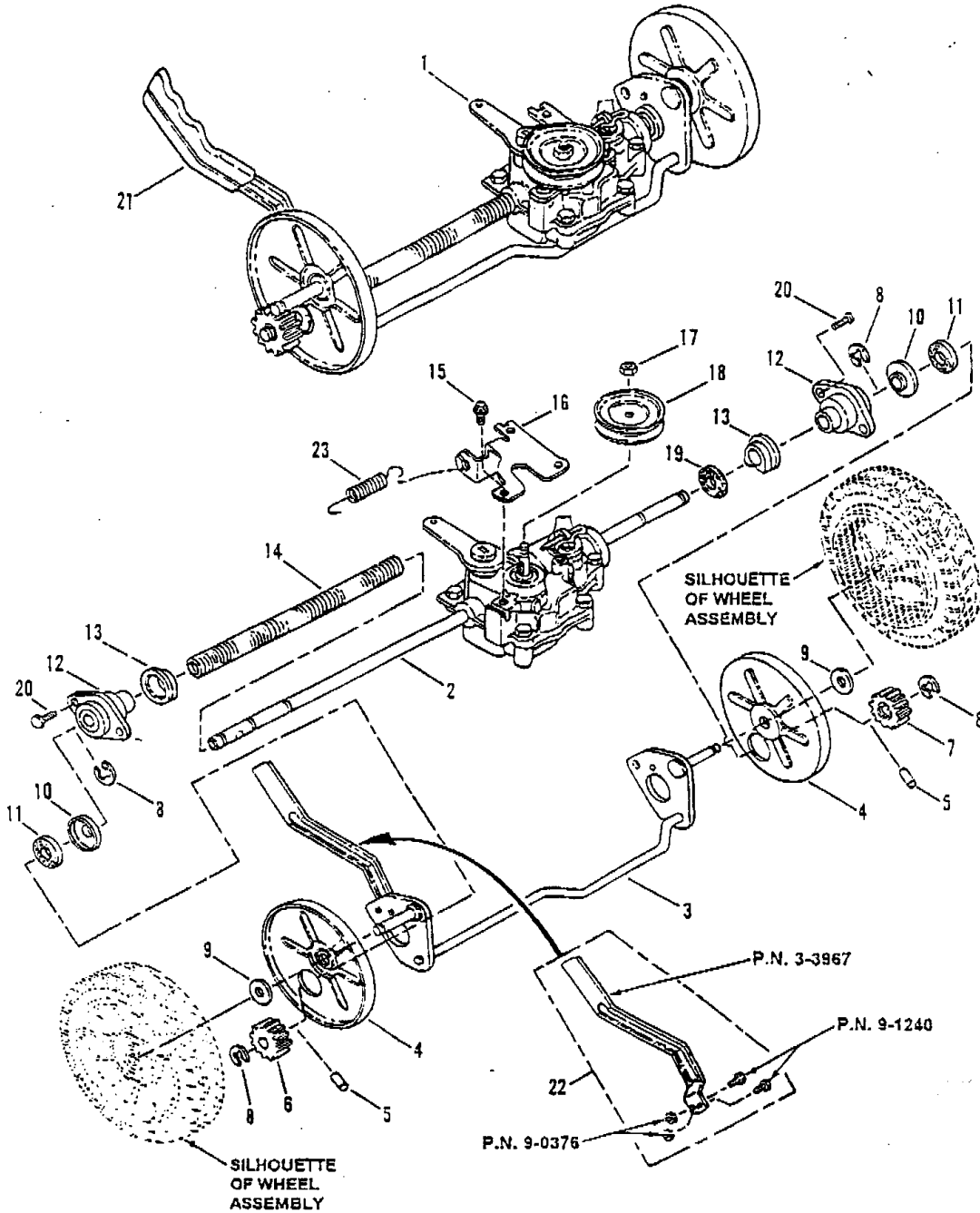
ITEM	PART NO.	DESCRIPTION
39	2-4750	BELT, Traction Drive
40	2-8438	DECAL, Height Adjustment
-	2-8454	DECAL, Height Adjustment (EURO Model ELP21500KWV)
41	2-8442	DECAL, Deck (Right Side)
42	9-1020	PUSH-NUT, 1/4"
43	9-1181	RIVET, 3/16 x 1/2" Steel (2)
44	3-3752	PLATE, Height Adjustment
45	9-1238	BOLT, 5/16-18 x 1" Carriage, Gr. 5 (4)
46	9-0999	SCREW, 1/4-20 x 5/8" Truss Hd. Torx (2)
47	9-0055	WASHER, 1/4 Flat (2)
48	2-4753	SHIELD, Trailing
49	2-4754	ROD, Trailing Shield Pivot
50	2-8448	DECAL, Brigg's & Stratton, 5.5HP Diamond-Plus I/C (Shown)
-	2-8449	DECAL, Brigg's & Stratton, 5.5HP Diamond-Plus I/C OHV
51	2-8441	DECAL, "Exclusive Platinum Series", Brigg's & Stratton Engine
52	2-8439	DECAL, Convertible Mower
53	2-6809	DECAL - WARNING
-	2-9825	DECAL - WARNING (EURO Model ELP21500KWV)
54	2-9784	DECAL, Deck/Chute, International Warning (EURO Mdl. ELP21500KWV)
55	2-6877	DECAL, Kawasaki Engine (Starter) (EURO Model ELP21500KWV)
56	2-6878	DECAL, Kawasaki Engine (OHV) (EURO Model ELP21500KWV)
57	2-7432	DECAL, Kawasaki Engine 5HP OHV (EURO Model ELP21500KWV)
58	2-9779	DECAL, Spark Plug (EURO Model ELP21500KWV)
59	2-9776	DECAL, European Community (EURO Model ELP21500KWV)
60	2-3009	DECAL, Noise Control (EURO Model ELP21500KWV)
61	2-8445	GRASSBAG, SNAPPER Platinum Series
62	5-3178	ASSEMBLY, Catcher Frame (Incls. item 63)
63	2-6421	GRIP, Catcher Frame
64	2-6390	PLUG, Mulching
65	2-6714	CHUTE, Side Discharge (Includes WARNING Decal)
-	**	ENGINE, 5.5HP Brigg's & Stratton I/C Diamond-Plus Model 129802, Type 1512, Trim 21
-	**	ENGINE, 5.5HP Brigg's & Stratton OHV Diamond-Plus Model 99772, Type 3625, Trim 01
-	**	ENGINE, 5HP Kawasaki OHV Model FC150V-ES12 (EURO Model ELP21500KWV)

** PURCHASE ENGINE & ENGINE PARTS, OTHER THAN THOSE LISTED, FROM ENGINE SERVICE OUTLETS.

APR 07 '95 07:55AM SNAPPER USA

P.6/7

AXLE/TRANSMISSION ASSEMBLY



MANUAL No. 06196 (Rev. 1, 4/95)

6

21" PLATINUM SERIES O, S.P.

APR 07 '95 07:55AM SNAPPER USA

P. 7/7

AXLE/TRANSMISSION ASSEMBLY

ITEM	PART NO.	DESCRIPTION
1	5-3067	AXLE/TRANSMISSION ASSEMBLY (Includes items 2 thru 23)
2	2-6231	ASSEMBLY, Transmission
3	4-1363	ASSEMBLY, Rear Axle Weldment
4	2-4573	SHIELD, Dust (2)
5	2-4749	PIN, Pawl, 3/16 O.D. (2)
6	2-4549	PINION, Right Hand Drive
7	2-4550	PINION, Left Hand Drive
8	1-4341	RING, Retaining (4)
9	9-1194	WASHER, .531 I.D. x 1.50 O.D. (2)
10	2-6478	RETAINER, Pinion Seal (2)
11	2-6479	SEAL, Pinion (Felt) (2)
12	2-5066	ASSEMBLY, Bearing Carrier (2)
13	2-4715	BUSHING, Rear Axle (2)
14	2-4748	TUBING, 5/8" I.D., Convoluted
15	9-0361	SCREW, 5/16-18 x 5/8" Hex Washer Head, Self-Tapping (2)
16	3-3768	BRACKET, Transmission
17	9-1187	NUT, M10-1.50 Hex Nyloc
18	2-4747	PULLEY, Transmission
18	2-4879	WASHER, Felt
20	9-1084	SCREW, 1/4-20 x 3/8" Hex Washer Head, Self-Tapping (4)
21	2-6420	GRIP, Rear Axle
22	6-1272	KIT, Height Adjusting Lever (Includes items listed below)
-	3-3967	LEVER, Height Adjusting
-	9-1240	SCREW, #10-32 x 5/8" Hex Washer Head, Grade 5 (2)
-	9-0376	NUT, #10-32 Hex Nyloc (2)
23	2-6232	SPRING, Transmission Extension