

Antriebsrasenmäher Bezeichnung: 21" Steel Deck Walk Behind Mowers Series 12 & 14 Modell: Jahr:

216012 Steel Deck (Self-Propelled) Series 12

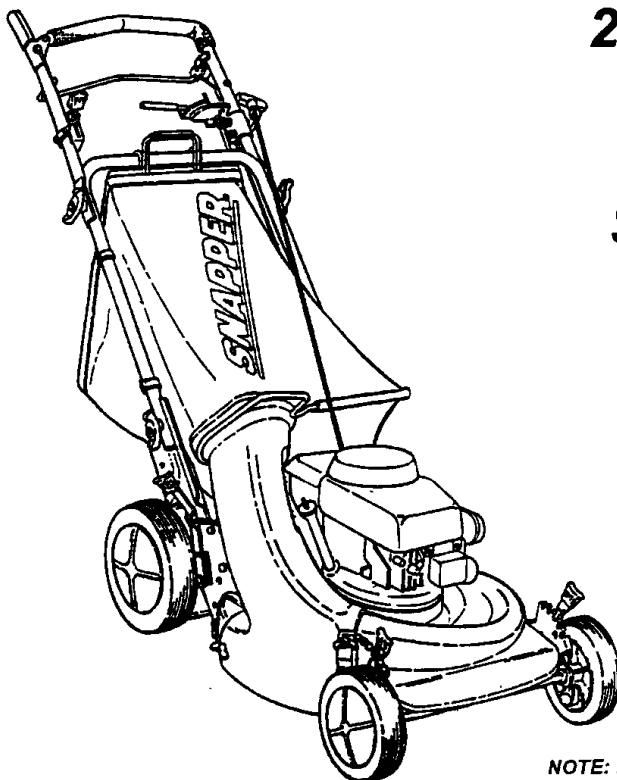
Page 1 of 24

27. MAI 2000 *[Signature]*

Parts Manual for

# SNAPPER®

## 21" STEEL DECK WALK BEHIND MOWERS SERIES 12 & 14\*



\*NOTE: THE SERIES NUMBER IS THE LAST NUMBER IN THE FIVE DIGIT MODEL DESIGNATION.

MODELS	
PUSH MODELS	PROPELLED MODELS
215012	P216012
215014	NP216012
R215012	RP215012
N215012	RP216012
NR215012	RP215012T2
	NRP215012
	EP216012
	P216012TV
	FRP216012TV
	FRP216012
	EFRP216012TV
	EFRP216512TV

NOTE: DOES NOT INCLUDE COMMERCIAL MODELS

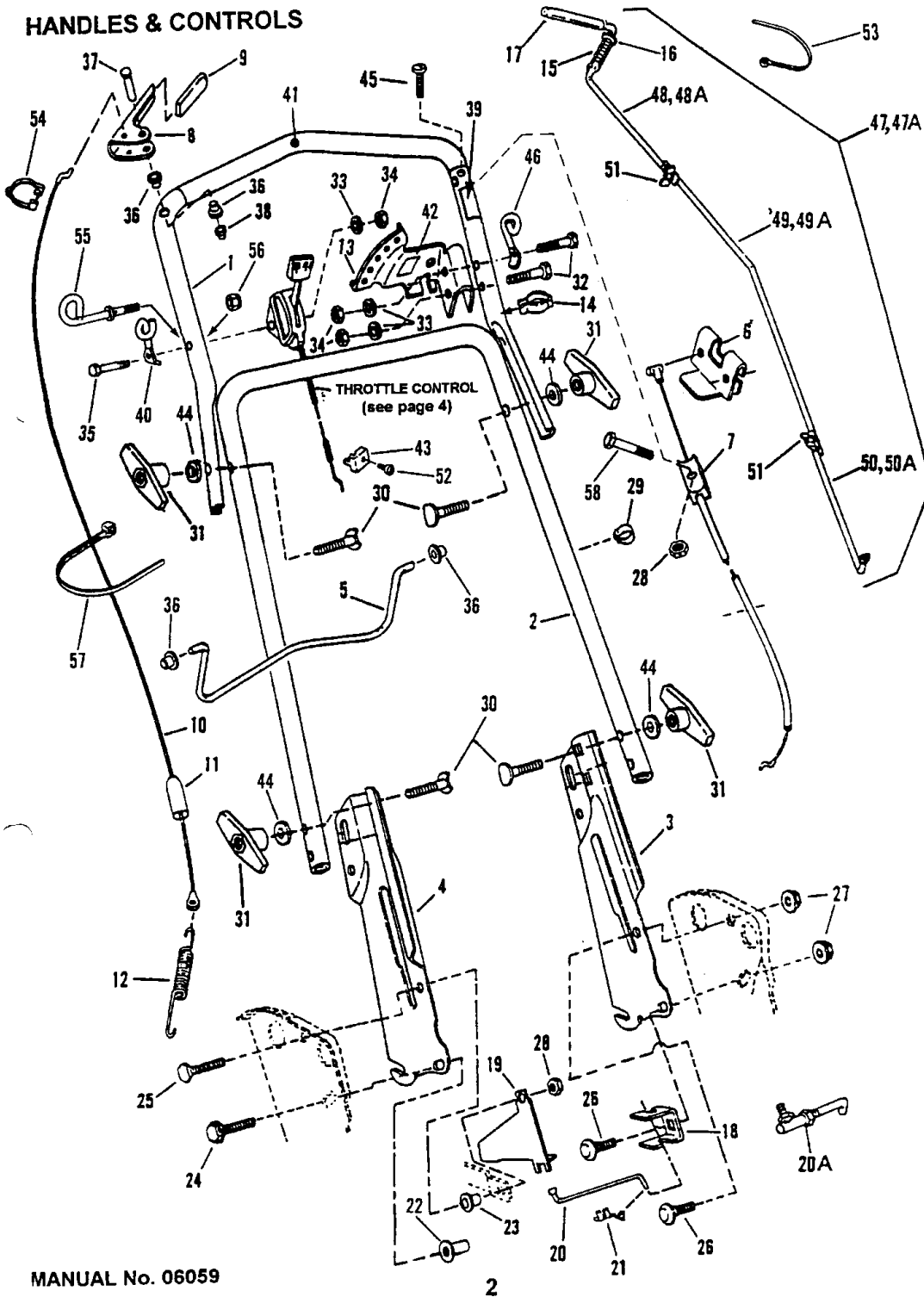
<u>INDEX-GROUP</u>	<u>PAGE(S)</u>
HANDLES, CONTROLS.....	2 - 3
THROTTLE CONTROLS.....	4
ENGINE SPECIFICATIONS.....	4
SIDE CHUTES, ADAPTERS.....	5
CUTTING DECK, BLADES.....	6 - 7
DRIVE SYSTEM-(SELF PROPELLED).....	8 - 11
WHEELS, BRACKETS, LATCHES.....	12 - 16
GRASS CATCHER.....	17
DECALS.....	18 - 19
ACCESSORIES.....	17; 20 & 21

COPYRIGHT © 1998  
SNAPPER INC  
ALL RIGHTS RESERVED

(Rev. 2, 8/98)

MANUAL No. 06059

HANDLES & CONTROLS



MANUAL No. 06059

HANDLES & CONTROLS

ITEM	PART NO.	DESCRIPTION	USED ON
1	2-4869	HANDLE, Upper	See Note One Below
-	3-5252	HANDLE, Upper	See Note Two Below
-	3-3473	HANDLE, Upper	See Note Three Below
2	2-4890	HANDLE, Middle	See Note One Below
-	2-6350	HANDLE, Middle	See Note Two & Three Below
3	3-3985	HANDLE, Lower Left Hand	See Note One Below
-	3-3986	HANDLE, Lower Left Hand	See Note Two & Three Below
4	3-3986	HANDLE, Lower Right Hand	See Note One Below
-	3-5342	HANDLE, Lower Right Hand	See Note Two & Three Below
5	2-4978	CONTROL, Blade	See Note One Below
-	1-7072	CONTROL, Blade	See Note Two & Three Below
6	3-3904	CLIP, Blade Control	All
7	2-5036	CABLE, Blade Control	See Note One Below
-	2-6136	CABLE, Blade Control	RP215012T2
-	3-5808	CABLE, Blade Control	See Note Two & Three Below
-	3-5840	CABLE, Blade Control	See Note Four
8	3-2826	HANDLE, Wheel Drive	Self-Propelled Models
9	1-4307	GRIP, Wheel Drive Handle	Self-Propelled Models
-	2-9775	GRIP, Wheel Drive Handle	European Models
10	2-5013	CABLE, Clutch Pull (Z-BEND)	See Note One Below
-	2-3134	CABLE, Clutch Pull (Z-BEND)	See Note Two Below
11	1-2121	COVER, Vinyl	Self-Propelled Models
12	1-2122	SPRING, Clutch	Self-Propelled Models
13	3-8478	SECTOR, Speed	Self-Propelled Models
14	2-4641	TIE, Wire (3)	Self-Propelled Models
15	1-2093	SPRING, Speed Control	Self-Propelled Models
16	9-0188	WASHER, 3/8 Flat	See Note One Below
17	2-3801	GRIP, Speed Control Handle	See Note Two Below
-	2-9383	GRIP, Speed Control Handle	Self-Propelled Models
18	3-4892	ANCHOR, Speed Control	Self-Propelled Models
19	3-2408	GUIDE, Lower V-Belt	Self-Propelled Models (Except European)
20	2-3790	ROD, Transfer	European
20A	5-1698	ASSEMBLY, Transfer Rod	Self-Propelled Models
21	1-0937	CLIP, Transfer Rod	Self-Propelled Models
22	9-0895	TEE-NUT, 5/16-18	Self-Propelled Models
23	1-2114	BUSHING, Differential	All
24	9-0595	BOLT, 5/16-18 x 3/4" Flange Lock, Grade 5	All
25	9-0238	SCREW, 5/16-24 x 1" Hex Cap, Grade 5	All
26	9-1026	BOLT, 5/16-18 x 5/8" Carriage, Grade 5	All
27	9-1070	NUT, 5/16-18 Hex Flange Lock, Grade 5	All
28	9-1074	NUT, 5/16-24 Center Lock, Grade 5	All
29	2-3813	CLIP, Cable/Wiring	All
30	9-1189	SCREW, 5/16-18 x 1-7/8 Curved Head, Grade 2 (4)	All
31	3-5744	T-KNOB, 5/16-18	All
32	7-9577	SCREW, 1/4-20 x 1-1/2 Hex Cap, Grade 5	All
33	9-1023	WASHER, 1/4 Internal Tooth Lock	All
34	9-1100	NUT, 1/4-20 Hex, Grade 5 or B	All
35	9-0505	SCREW, 1/4-20 x 2" Hex Cap, Grade 5	All
36	1-4343	BUSHING (4)	Self-Propelled Models
37	2-3792	PIN, Clutch Handle	Self-Propelled Models
38	9-1020	PUSH-NUT (for handle pin)	All (Except European)
39	2-4211	DECAL, Blade Control (L.H. Side)	European
-	2-9782	DECAL, Operator's Presence Control	European
-	2-7985	DECAL, Handle International Warning	All Except 215014
40	2-6141	GUIDE, Rope	See Note One Below
41	2-2460	GRIP, Foam	Self-Propelled Models (Except European)
42	2-4087	DECAL, Speed Select	European
-	2-9783	DECAL, Speed Select	All
43	2-3153	CLAMP, Casing	All
44	9-0391	WASHER, 5/16 Internal Tooth Lock	All
45	9-0545	SCREW, 5/16-24 x 1-1/2" Machine, Grade 5	All
46	2-2779	GUIDE, Rope	Grass Bag Models
47	2-9217	ASSEMBLY, Speed Control Lever (Includes Items 48 thru 51)	See Note One Below
47A	2-9233	ASSEMBLY, Speed Control Lever (Includes Items 48A, 49A, 50A & 51)	See Note Two Below
48	2-9153	ROD, Upper	See Note One Below
48A	2-9189	ROD, Upper	See Note Two Below
49	2-9154	ROD, Intermediate	See Note One Below
49A	2-9190	ROD, Intermediate	See Note Two Below
50	2-9155	ROD, Lower	See Note One Below
50A	2-9191	ROD, Lower	See Note Two Below
51	2-9161	NUT, 1/4-20 Wing (2)	Used on Item 47 & 47A
52	2-3154	SCREW, #10-32 x 5/8" Self-Tapping	All
53	2-4669	TIE, Wire	Self-Propelled Models
54	2-6219	CLAMP	Self-Propelled Models
55	4-6465	GUIDE, Rope	See Note Five Below
56	7-6978	NUT, 1/4-20 Nyloc	See Note Five Below
57	1-2080	CABLE-TIE, 7'	See Note Five Below
58	7-9577	SCREW, 1/4-20 x 1-1/2" Hex Head Cap, Grade 5	See Note Five Below

NOTE ONE: These parts used on following models: RP215012T2, RP216012, NP216012, EP216012, P216012, P216012TV, FRP216012TV, EFRP216012TV, FRP216012, EFRP216512TV.

NOTE TWO: These parts used on following models: NRP215012, RP215012.

NOTE THREE: These parts used on following models: N215012, 215012, NR215012, R215012.

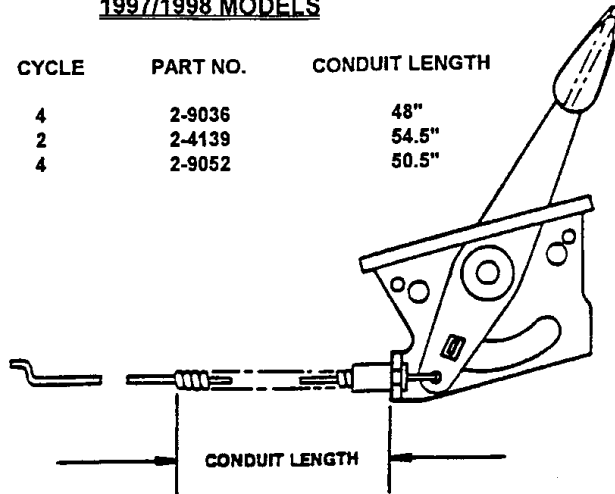
NOTE FOUR: These parts used on following models: P216012TV, FRP216012TV, EFRP216012TV.

NOTE FIVE: These parts used on following models: 215014.

**THROTTLE CONTROLS**

**1997/1998 MODELS**

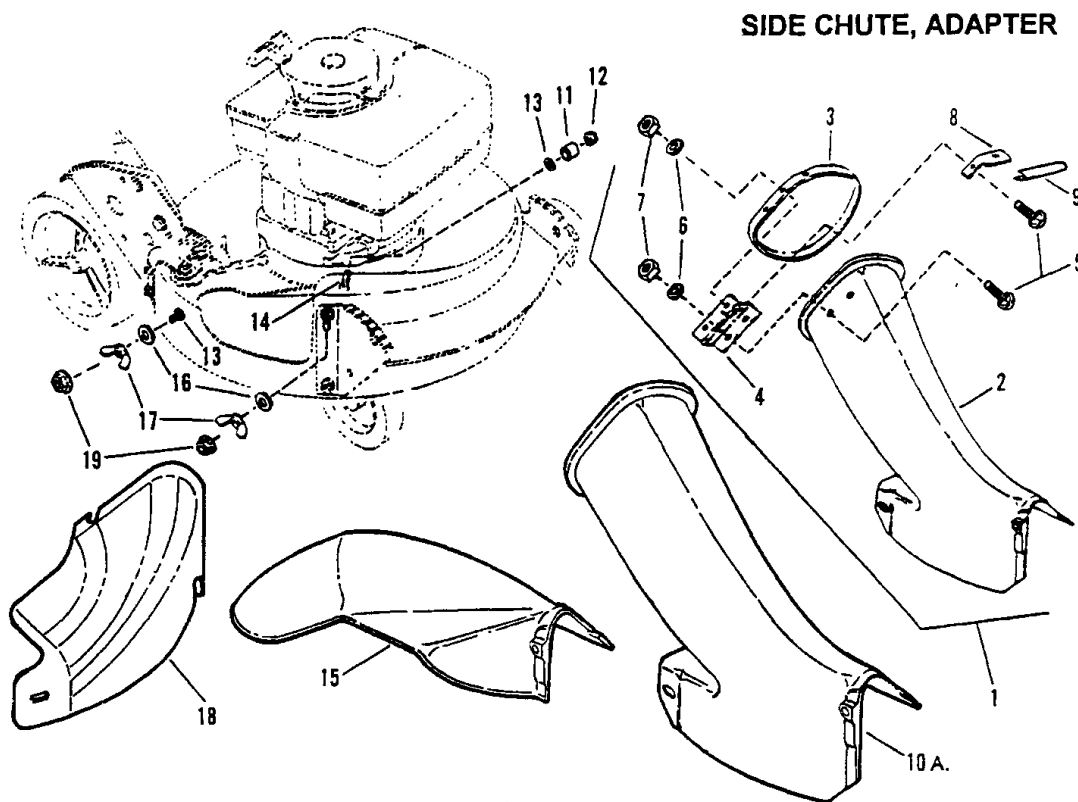
ENGINE/MODEL	CYCLE	PART NO.	CONDUIT LENGTH
BRIGGS	4	2-9036	48"
TECUMSEH	2	2-4139	54.5"
TECUMSEH	4	2-9052	50.5"



**ENGINE SPECIFICATIONS**

ENG. H.P.	START TYPE	ENGINE MANUFACTURER	MFGR. MODEL	MFGR. TYPE
5.0	ROPE	TECUMSEH	TVXL840	8456F
5.0	ROPE	BRIGGS	12F802	0876-01
5.0	ROPE	BRIGGS	12F802	2021-E1
5.0	ROPE	BRIGGS (CALIFORNIA)	FC-150V	F511
6.0	ROPE	BRIGGS	12H802	1531-21
6.0	ROPE	BRIGGS	12H802	2677-E1
6.0	ROPE	BRIGGS (CALIFORNIA)	12H802	1231-A1
6.0	ROPE	BRIGGS	12H802	1567-21
6.0	ROPE	TECUMSEH	OVRM60	21803C
6.0	ROPE	TECUMSEH (EUROPEAN)	OVRM60	21808C
6.5	ROPE	TECUMSEH	OVRM120	22010C

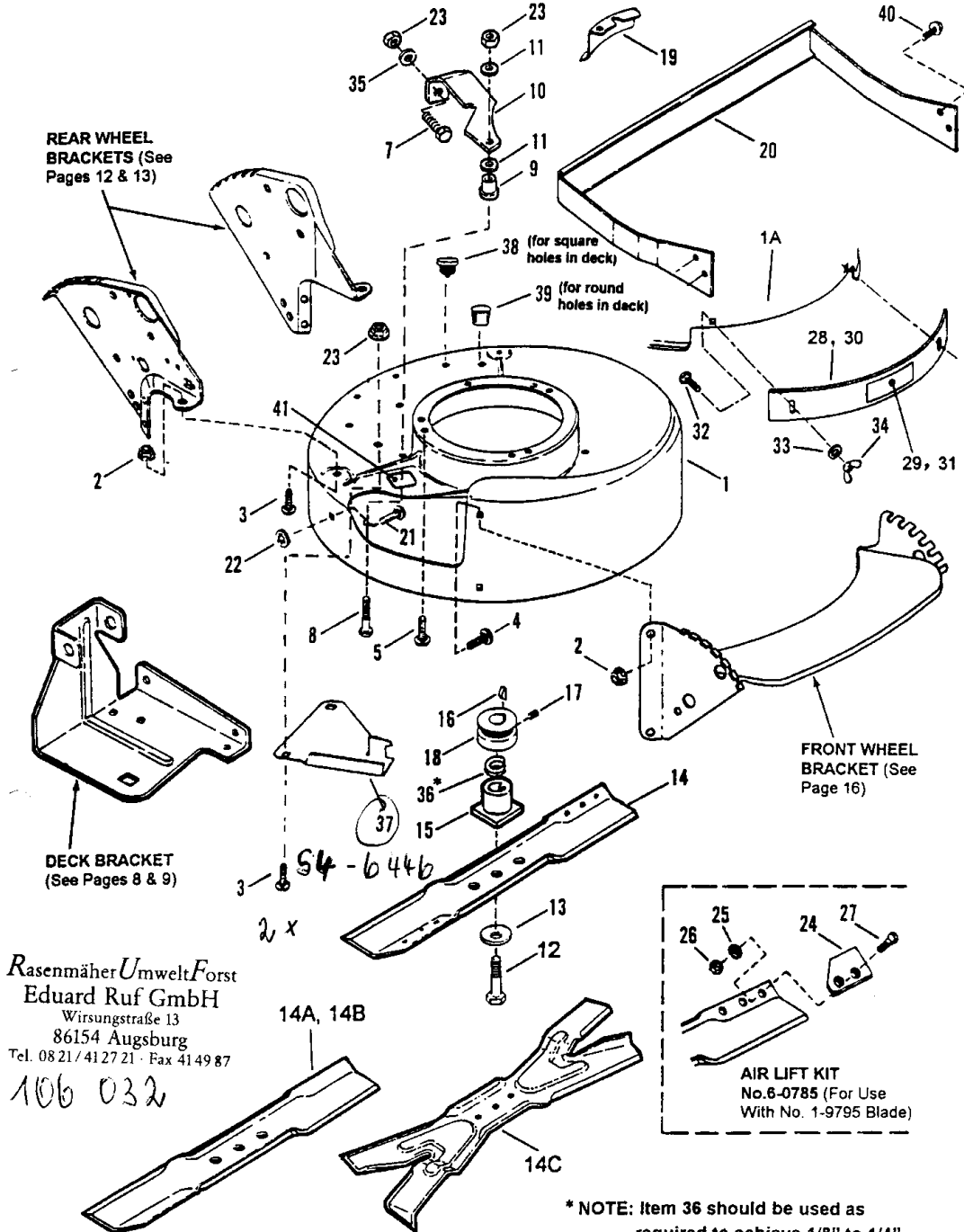
NOTE: PURCHASE ENGINE PARTS FROM ENGINE MANUFACTURER'S DEALER.



ITEM	PART NO.	DESCRIPTION
1	5-1951	ASSEMBLY, Bag Adapter & Cover (European Models Only) (Includes Items 2 thru 9)
2	1-6107	ADAPTER, Grass Bag
3	1-9287	COVER, Bag Adapter
4	2-3000	HINGE, Chute Cover
5	9-1064	BOLT, 1/4-20 x 1/2" Short Neck Carriage, Grade 5 (5)
6	9-1023	WASHER, 1/4 Internal Tooth Lock (5)
7	9-1100	NUT, 1/4-20 Hex, Grade 5 (5)
8	3-2661	STOP, Cover
9	2-3042	MOLDING, Trim
10A	1-6050	ADAPTER, Grass Bag
10B	5-8037	ASSEMBLY, grass Bag Adapter (see pg. 17) (Model 215014)
11	2-4340	SPACER
12	9-0951	NUT, 5/16-18 Hex Flange Center Lock
13	1-1791	RETAINER, 5/16 Bolt (2)
14	9-0001	BOLT, 5/16-18 x 3/4" Short Neck Carriage, Grade 5
15	6-0955	KIT, Side Chute (Includes a quantity of 10)
16	9-1514	WASHER, 5/16 Flat (2)
17	2-4085	WING-NUT, 5/16-18 Nyloc (2)
18	2-9149	COVER, 21" Deck
19	9-0951	NUT, 5/16-18 Large Flange Center Lock (2) (Model 215014)

Note: For Grass Catcher Components; see page 17.

CUTTING DECK, BLADE



REAR WHEEL BRACKETS (See Pages 12 & 13)

DECK BRACKET (See Pages 8 & 9)

FRONT WHEEL BRACKET (See Page 16)

AIR LIFT KIT  
No. 6-0785 (For Use With No. 1-9795 Blade)

Rasenmäher UmweltForst  
Eduard Ruf GmbH  
Wirsungstraße 13  
86154 Augsburg  
Tel. 08 21/41 27 21 · Fax 41 49 87  
106 032

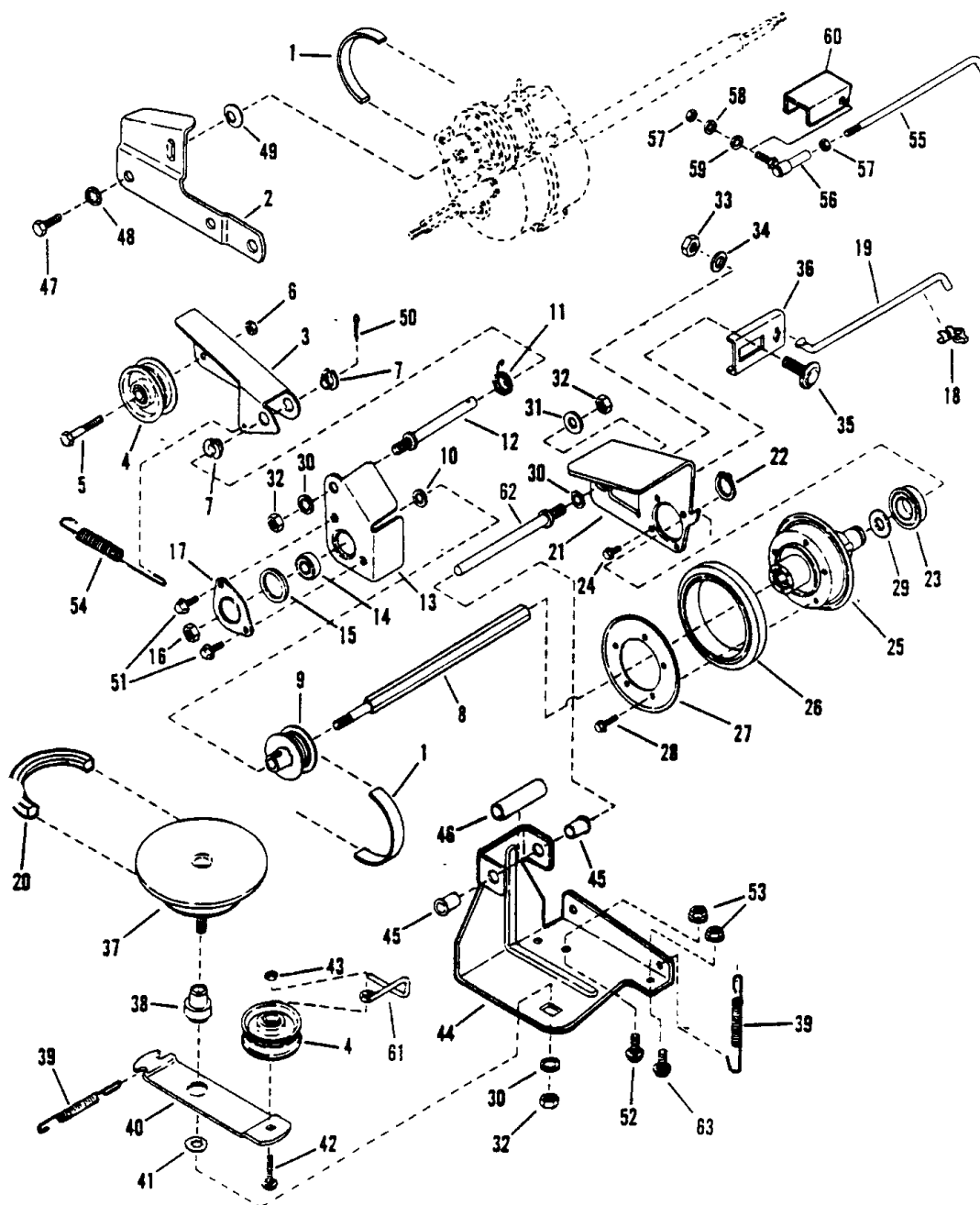
\* NOTE: Item 36 should be used as required to achieve 1/8" to 1/4" blade to deck lip clearance.

MANUAL No. 06059

**CUTTING DECK, BLADE**

ITEM	PART NO.	DESCRIPTION
1	5-7663	DECK, Mower (Includes painted Deck with Decals)
1A	5-3952	DECK, Mower (Incl. Painted Baffle Type Deck w/Decals)
2	9-0585	NUT, 5/16-18 Hex Flange Lock, Grade 5 (10)
3	9-0731	BOLT, 5/16-18 x 1/2" Short Neck Carriage (Gr. 5) (10)
4	9-1169	BOLT, Bolt 5/16-18 x 1-1/8" Short Neck Carriage, Grade 5
5	9-0324	SCREW, 3/8-16 x 1" Self-Tapping (Engine Mounting)(3)
6	9-1514	WASHER, 13/32 x 13/16 x 5/64 Flat
7	9-0534	SCREW, 5/16-18 x 1/2" Hex Head Cap, Grade 5
8	9-0702	BOLT, 5/16-18 x 2-1/4" Hex Flange Lock
9	1-3320	BUSHING
10	3-3863	COVER, Belt (European Models)
11	3-1961	WASHER, 7/16 Flat (2)
12	9-0483	SCREW, 3/8-24 x 1-3/4" Hex Head Cap, Grade 5
13	1-2063	WASHER, Cone (2)
14	1-9795	BLADE, Cutter (European)
14A	1-7168	BLADE, Cutter (Mulching)
14B	2-6691	BLADE, Cutter (Standard Lift)
14C	2-6407	BLADE, Cutter (Quad Edge - Ninja)
15	1-5626	HUB, Blade Drive 25mm
16	1-5894	KEY, Woodruff #506 (Briggs)
17	9-0201	SCREW, 5/16-18 x 5/16" Hex Socket Set
18	1-5780	PULLEY, Engine (25mm I.D. x 2-1/8" O.D.)
19	3-1968	SHIELD, Belt Opening Cover (Push Models Only)
20	4-1400	STRUCTURE, Fender (European Models)
21	9-0001	BOLT, 5/16-18 x 3/4" Short Neck Carriage, Grade 5 (2)
22	1-1791	RETAINER, 5/16 Bolt
23	9-1070	NUT, 5/16-18 Hex Flange Lock, Grade 5 (3)
--	6-0785	KIT, Air Lift. (Includes items 24 thru 27)
24	3-2558	LIFT, Air (2)
25	9-0391	WASHER, 5/16 Internal Tooth Lock (6)
26	9-0223	NUT, 5/16-24 Hex, Grade 5 (4)
27	9-0228	SCREW, 5/16-24 x 21/32" Machine (4)
28	5-4494	ASSEMBLY, Front Baffle (Includes Decal, item 29)
29	2-9193	DECAL, Front Baffle
30	5-4493	ASSEMBLY, Front Baffle (Euro)(Incl. Decal, item 31)
31	3-6463	DECAL, Front Baffle (European Models)
32	9-0316	BOLT, 5/16-18 x 3/4" Carriage, Grade 5 (2)
33	9-0189	WASHER, 5/16 Internal/External Lock (2)
34	2-4085	WINGNUT, 5/16-18 Nylok (2)
35	9-1076	WASHER, 5/16 Flat
36	2-9000	3/16" THICK SPACER, Blade Hub ("FR" prefix Models Only)
--	4-4770	1/16" THICK SPACER, Blade Hub
37	4-6446	BAFFLE, Belt
38	4-6471	PLUG, 5/16" Square Hole (qty 3 on Push)
39	4-5264	PLUG, 5/16" Hole (qty 3 on Push; qty 2 on Self-propelled)
40	9-0539	SCREW, 1/4-20 X 1/2" Hex Self-tapping (4)
41	4-6720	DECAL, Warning Chute/Deflector

DRIVE SYSTEM SELF-PROPELLED



MANUAL No. 06059

8

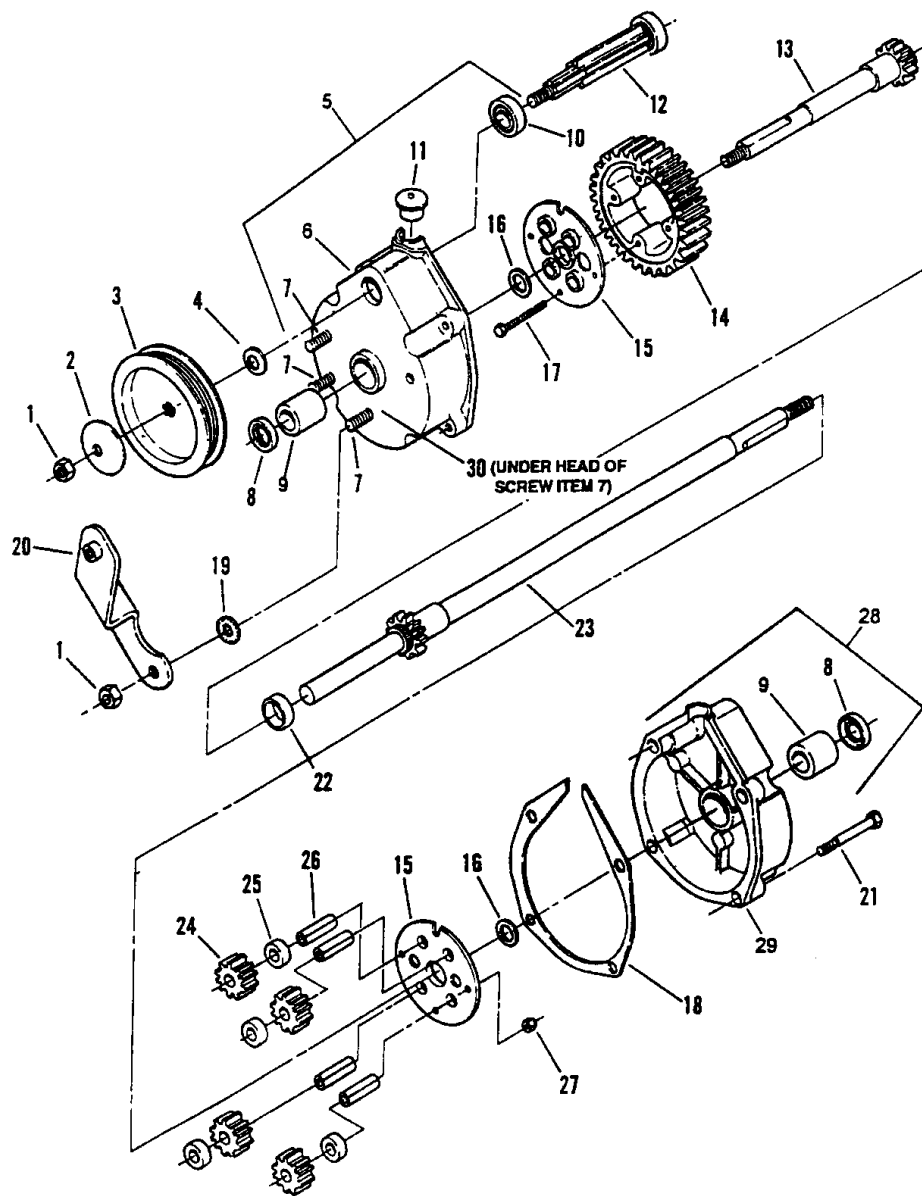
21" STEEL DECK SERIES 12 & 14

DRIVE SYSTEM SELF-PROPELLED

ITEM	PART NO.	DESCRIPTION
1	1-2354	BELT, Poly-Vee
2	3-4179	LINK, Differential
-	5-1921	ASSEMBLY, Clutch Idler (Includes items 3 thru 7)
3	3-2832	ARM, Clutch Idler
4	1-2124	PULLEY, Idler (2)
5	9-1025	SCREW, 1/4-28 x 1-3/8" Hex Head Cap, Grade 5
6	9-0303	NUT, 1/4-28 Hex Top Lock
7	1-2117	BUSHING, 3/8 I.D. Nylon (2)
8	2-3744	SHAFT, Hex Drive
9	2-4521	PULLEY, Poly-V (2" O.D.)
10	1-2316	WASHER, 3/8 Flat
11	1-2126	SPRING, Torsion
12	1-2111	STUD
13	3-1873	HOLDER, Bearing (Inner Half)
14	2-8014	BEARING, Ball
15	1-1025	O-RING
16	9-0289	NUT, 3/8-24 Hex Center Lock, Grade 5
17	3-1809	HOLDER, Bearing (Outer Half)
18	1-0937	CLIP, 1/4 Right Arc (Transfer Rod)
19	2-3790	ROD, Transfer (Except European)
20	1-2353	BELT, Engine Drive
-	5-3225	ASSEMBLY, Driven Disc (Includes items 21 thru 29)
21	3-5477	PLATE, Thrust
22	1-0746	RING, Retaining
23	2-6693	BEARING, Ball
24	9-0981	SCREW, #10-32x1/4" Self-Tapping Machine (4)
25	5-3217	ASSEMBLY, Hub (Includes 1-1108 Bushing & Two 9-0913 Screws)
26	2-3364	RING, Driven
27	3-1013	PLATE, Ring Retaining
28	9-0913	SCREW, #10-24 x 1/2" Self-Tapping Machine (Torx) (5)
29	1-0121	WASHER, 3/4 Shim
30	9-0390	WASHER, 3/8 Internal Tooth Lock (3)
31	9-0122	WASHER, 3/8 Flat
32	9-0155	NUT, 3/8-24 Hex, Grade B (3)
33	9-0196	NUT, 5/16-18 Hex, Grade 5
34	9-0187	WASHER, 5/16 Split Lock
35	9-1097	BOLT, 5/16-18 x 3/4" Carriage, Grade 5
36	3-2831	CONNECTOR, Transfer Rod
37	6-1275	KIT, Drive Disc Assembly
38	1-7696	BUSHING
39	2-9025	SPRING (Wheel Drive & Idler) (2)
40	3-2116	ARM, Idler
41	1-3847	RETAINER, 3/8 Bolt
42	9-0947	BOLT, 1/4-20 x 1-1/2" Carriage, Grade 5
43	9-0372	NUT, 1/4-20 Hex Center Lock, Grade 5 or B
-	5-2987	ASSEMBLY, Deck Bracket (Includes items 44 thru 46)
44	3-3774	BRACKET, Deck
45	1-2306	BUSHING, Flange (2)
46	2-1758	SPACER
47	9-0534	SCREW, 5/16-18 x 1/2" Hex Head Cap, Grade 5
48	9-0391	WASHER, 5/16 Internal Tooth Lock
49	1-1724	WASHER, Spring
50	9-0555	PIN, 3/32 x 1/2" Cotter
51	9-0539	SCREW, 1/4-20 x 1/2" Self-Tapping
52	9-0731	BOLT, 5/16-18 x 1/2" Short Neck Carriage, Grade 5
53	9-1070	NUT, 5/16-18 Hex Flange Lock, Grade 5
54	1-2122	SPRING, Clutch
**55	1-5752	LINK, Transfer
**56	1-5753	JOINT, Ball
**57	9-0095	NUT, 1/4-28 Hex, Grade 5
**58	9-0055	WASHER, 1/4 Flat
**59	9-0053	WASHER, 1/4 Internal Tooth Lock
60	3-2664	SHIELD, Hex Shaft (European Models)
61	1-6380	SCRAPER, Drive Pulley
62	1-2125	GUIDE, Thrust Plate
63	9-1026	BOLT, 5/16-18 X 5/8" Short Neck Carriage, Grade 5

\*\*NOTE: Used on Electric Start & European Models Only.-

**TRANSMISSION (DIFFERENTIAL)**



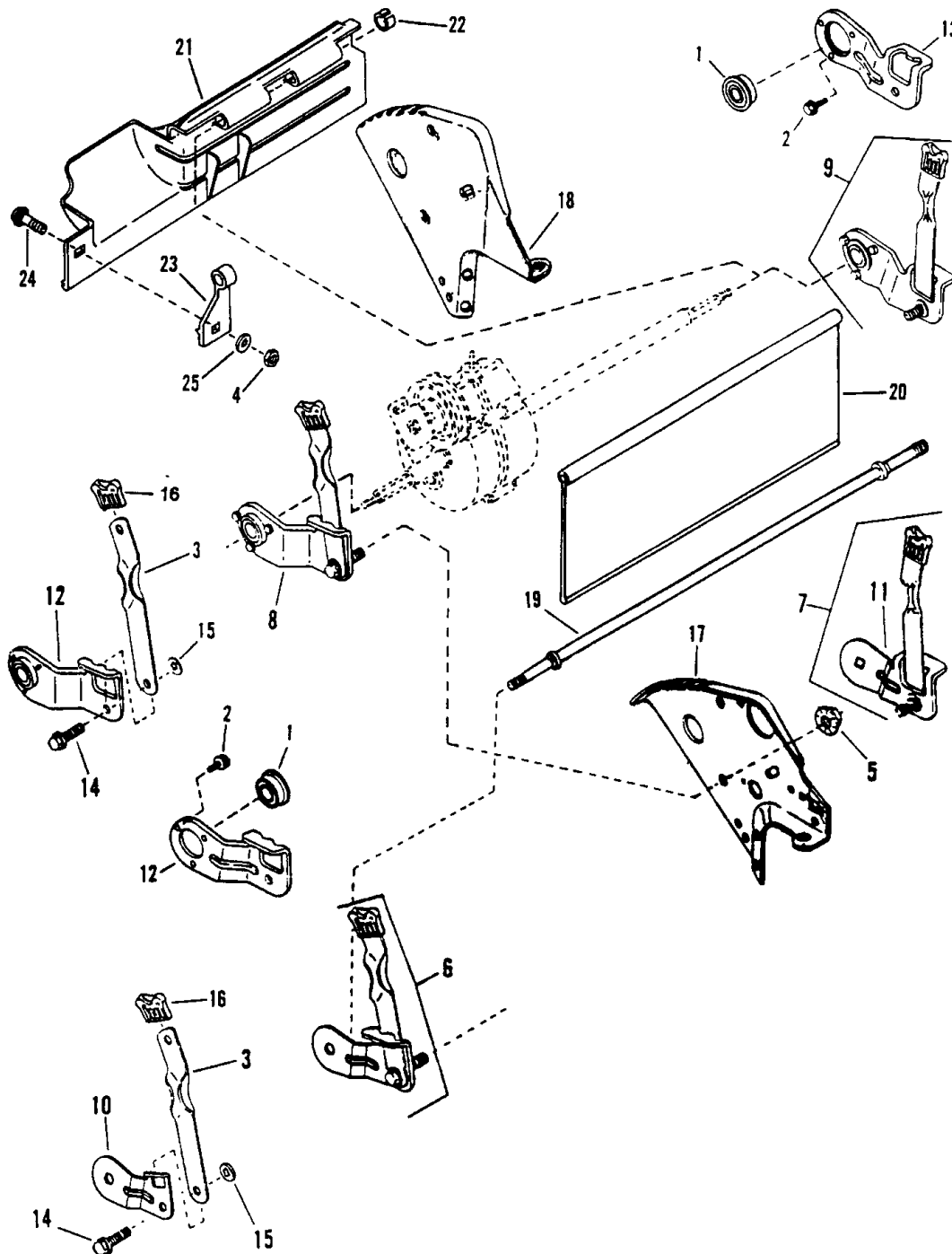
**TRANSMISSION (DIFFERENTIAL)**

**COMPLETE TRANSMISSION ASSEMBLY P.N. 5-3945**

ITEM	PART NO.	DESCRIPTION
-	5-3945	ASSEMBLY, Transmission (1995 Model Year & Earlier) (Includes items 1 thru 30)
1	1-1201	NUT, 5/16-24 Hex Lock, Grade C (4)
2	1-4263	WASHER, Spring
3	1-9213	PULLEY, Poly-Vee Belt
4	1-1724	WASHER, Spring (2)
5	5-3942	ASSEMBLY, Housing Right (Includes items 6, 7, 8, 9 & 10)
6	2-9034	HOUSING, Right Side
7	1-4155	SCREW, 5/16-24 x 1-1/8" Rib Neck, Grade 5 (3)
8	1-2314	SEAL, 5/8 I.D. (2)
9	2-9035	BEARING, Differential (2)
10	1-1767	BEARING, Ball
11	1-6544	PLUG, Housing
12	5-0767	GEAR, Input
13	5-0830	AXLE, Short
14	1-2495	GEAR, Differential (46 Tooth)
15	3-1970	PLATE (2)
16	3-1965	WASHER, Thrust (2)
17	9-0557	SCREW, #10-32 x 1-1/2" Hex Head Cap, Grade 5 (4)
18	1-1774	GASKET, Housing
19	9-0189	WASHER, 5/16 Internal/External Tooth Lock (3)
20	5-1903	BRACKET, Differential
21	9-1825	SCREW, 1/4-20 x 1-1/4" Self-Tapping (4)
22	1-2543	SPACER, Axle Gear
23	5-0831	AXLE, Long
24	2-1115	GEAR, Pinion (12 Tooth) (4)
25	1-2500	SPACER, Pinion Gear (4)
26	1-1110	SHAFT, Pinion (4)
27	9-0376	NUT, #10-32 Hex Nyloc (4)
28	5-3939	ASSEMBLY, Housing Left (Includes items 8, 9 & 29)
29	2-9033	HOUSING, Left Side
30	2-4442	GASKET, 5/8 O.D.

MANUAL No. 06059

REAR WHEEL BRACKETS, LATCHES



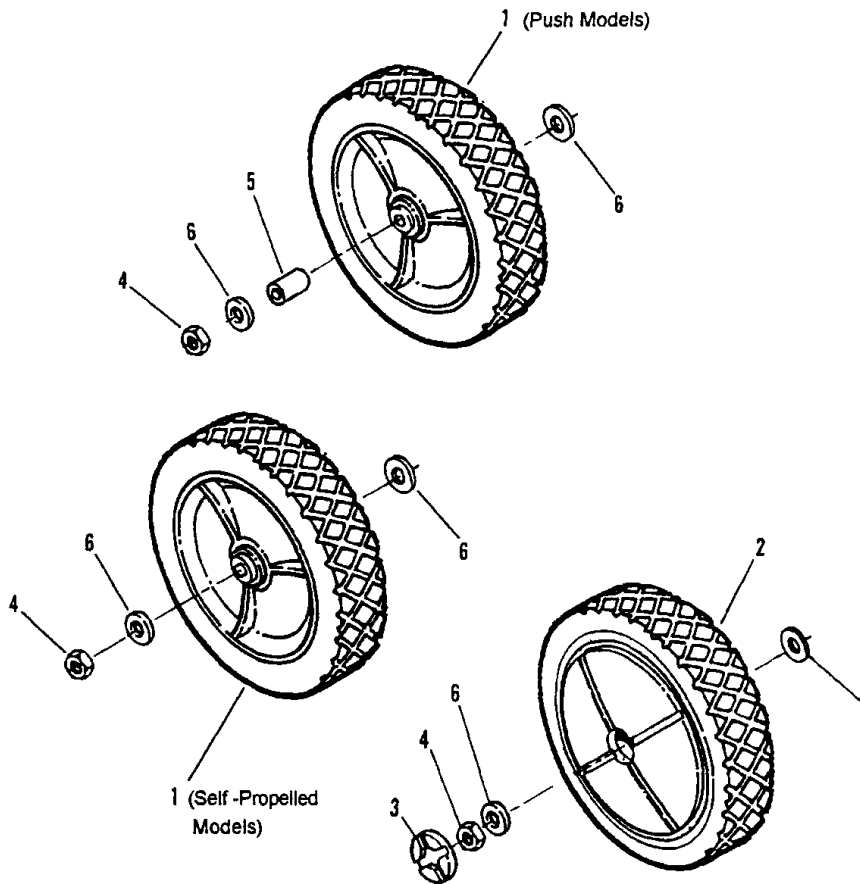
MANUAL No. 06059

12

REAR WHEEL BRACKETS, LATCHES

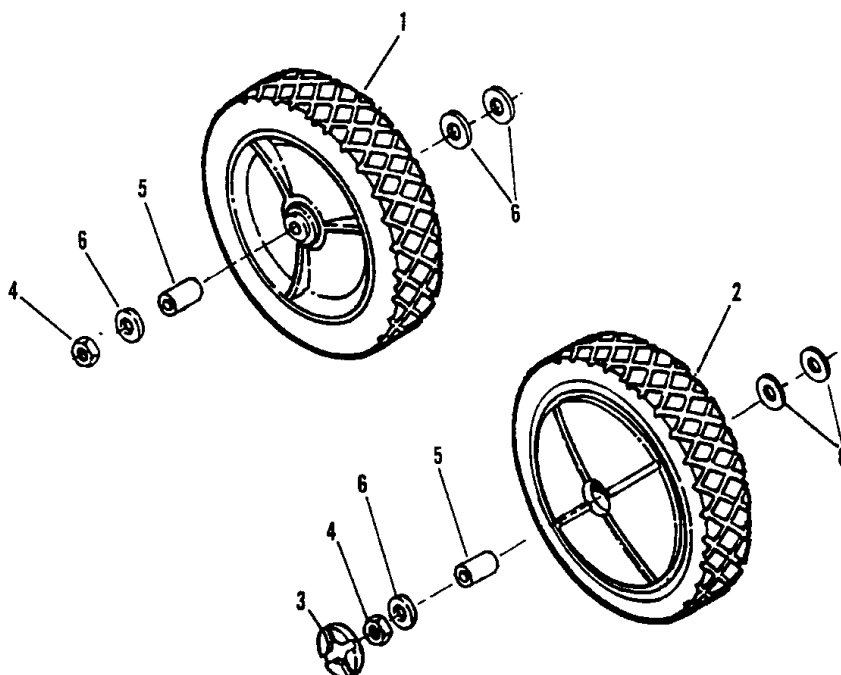
ITEM	PART NO.	DESCRIPTION
1	1-2312	BEARING, 9/16"
2	9-1012	SCREW, #10-32 x 3/8" Hex Washer Self-Tap (Torx) (3)
3	3-5717	LATCH, Height Adjusting (Long)
4	9-0063	NUT, 1/4-20 Hex, Grade 5
5	9-1070	NUT, 5/16-18 Hex Flange Lock, Grade 5 (6)
6	5-4228	ASSEMBLY, Wheel Arm (Right Rear) (Push Models) (Round Opening - Includes Items 3, 10, 14, 15, 16)
7	5-4229	ASSEMBLY, Wheel Arm (Left Rear) (Push Models) (Square Opening - Includes Items 3, 11, 14, 15, 16)
8	5-4230	ASSEMBLY, Wheel Arm (Right Rear) (Self-Propelled Models) (Includes Items 1, 2, 3, 12, 15, 16)
9	5-4231	ASSEMBLY, Wheel Arm (Left Rear) (Self-Propelled Models) (Includes Items 1, 2, 3, 13, 15, 16)
10	3-3776	ARM, Round Axle End (Right Rear) (Push Models)
11	3-3775	ARM, Square Axle End (Left Rear) (Push Models)
12	3-2722	ARM, Wheel Right Rear (Self-Propelled Models)
13	3-2723	ARM, Wheel Left Rear (Self-Propelled Models)
14	1-1078	BOLT, 5/16-18 x 1" Shoulder
15	1-1791	RETAINER, 5/16" Bolt
16	2-7702	GRIP, Latch
17	3-3494	BRACKET, Right Rear Wheel (FRP21600TV Model)
18	3-3495	BRACKET, Left Rear Wheel (FRP21600TV Model)
19	2-1119	AXLE (Rear on Push Models - Also Front on All)
20	3-5741	GUARD, Rear Foot (Push Models)
21	2-9008	GUARD, Rear Foot (Self-Propelled Models) (Except European)
--	1-7010	GUARD, Rear Foot (European)
22	2-3791	RING
23	1-2616	SUPPORT, Foot Guard
24	9-0005	BOLT, 1/4-20 x 1/2" Short Neck Carnage, Grade 5
25	9-1023	WASHER, 1/4" Internal Tooth Lock

REAR WHEELS



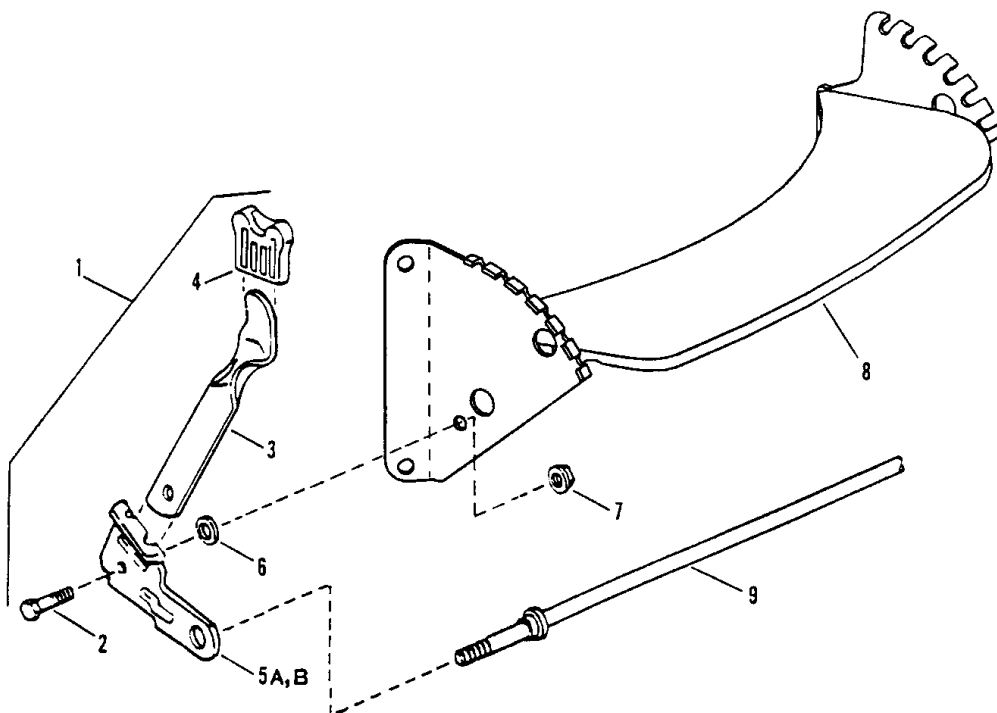
ITEM	PART NO.	DESCRIPTION
1	3-5739	WHEEL, 10 x 1.75 Plastic (Push Models)
-	3-5740	WHEEL, 10 x 1.75 Plastic (RP215012 & NRP215012 Models)
-	4-1987	WHEEL, 10 1.75 Plastic (215014 Model)
2	<u>2-9011</u>	WHEEL, 10 x 1.75 Plastic (Self-Propelled Except RP215012 & NRP215012)
3	1-7829	PLUG, Wheel
4	9-0377	NUT, 7/16-20 Hex (Thin)
5	1-2309	BUSHING, Axle (All Push Models except 215014)
6	3-1961	WASHER, 7/16 x 1" O.D. Flat

FRONT WHEELS



ITEM	PART NO.	DESCRIPTION
1	2-2374	WHEEL, 8 x 1.75 Plastic (Push & RP215012 & NRP215012 Models)
-	4-6990	WHEEL, 8 x 1.75, .442 Bore (215014 Model)
2	2-9010	WHEEL, 8 x 1.75 Plastic (Self -Propelled Except RP215012 & NRP215012)
3	1-7829	PLUG, Wheel
4	9-0377	NUT, 7/16-20 Hex (Thin)
5	1-2309	BUSHING, Axle (All Models except 215014)
6	3-1961	WASHER, 7/16 x 1" O.D. Flat

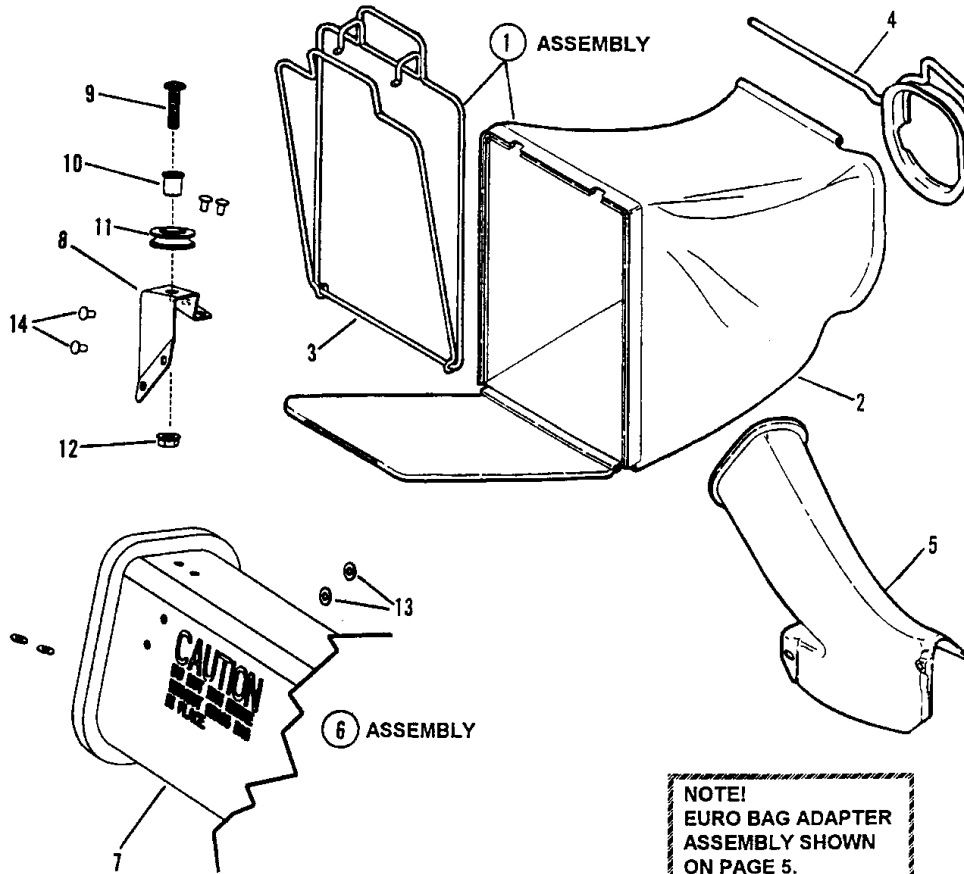
**FRONT WHEEL BRACKET**



ITEM	PART NO.	DESCRIPTION
1	5-1886	ASSEMBLY, Arm Right Wheel (Consists of Items 2,3,4,5A,6)
-	5-1885	ASSEMBLY, Arm Left Wheel (Consists of Items 2,3,4,5B,6)
2	1-5761	BOLT, 5/16-18 x 3/4" Shoulder
3	1-2325	LATCH, Height
4	2-7702	GRIP, Latch
5A	3-1017	ARM, Right Wheel (Round Hole)
5B	3-1016	ARM, Left Wheel (Square Hole) (not shown)
6	1-1791	RETAINER, 5/16 Bolt
7	9-1070	NUT, 5/16-18 Hex Flange Lock, Grade 5
8	4-1770	BRACKET, Front Wheel
9	2-1119	AXLE

ACCESSORY

GRASS BAG



**NOTE!**  
EURO BAG ADAPTER  
ASSEMBLY SHOWN  
ON PAGE 5.

ITEM	PART NO.	DESCRIPTION
-	6-1824	KIT, Grass Bag Catcher (Includes items 2 thru 5)
1	5-4058	ASSEMBLY, Grass Bag (Includes items 2 thru 4)
2	2-9963	BAG, Door Type (Wide) (Black)
3	5-1906	ASSEMBLY, Bag Wire
4	4-2489	CONNECTOR, Grass Bag
5	1-6050	ADAPTER, Bag
6	5-8037	ASSEMBLY, Bag Adapter (Includes items 7 thru 14)
7	4-7081	ADAPTER, Bag
8	4-7082	BRACKET, Rope Pulley
9	9-1984	SCREW, 5/16-18 x 1-1/4" Pan Head Machine
10	1-2306	BUSHING, Flange
11	2-4228	PULLEY, Plastic
12	9-1070	NUT, 5/16-18 Hex Flange Lock, Grade 5
13	7-2107	WASHER, 15/32" (4)
14	1-3860	RIVET (4)

Antriebsrasenmäher Bezeichnung: 21" Steel Deck Walk Behind Mowers Series 12 & 14 Modell: Jahr:

21" EP216012 Steel Deck (Self-Propelled) Series 12

Page 18 of 24

DECALS



MANUAL No. 06059

Antriebsrasenmäher Bezeichnung: 21" Steel Deck Walk Behind Mowers Series 12 & 14 Modell: Jahr:

21" EP216012 Steel Deck (Self-Propelled) Series 12

Page 19 of 24



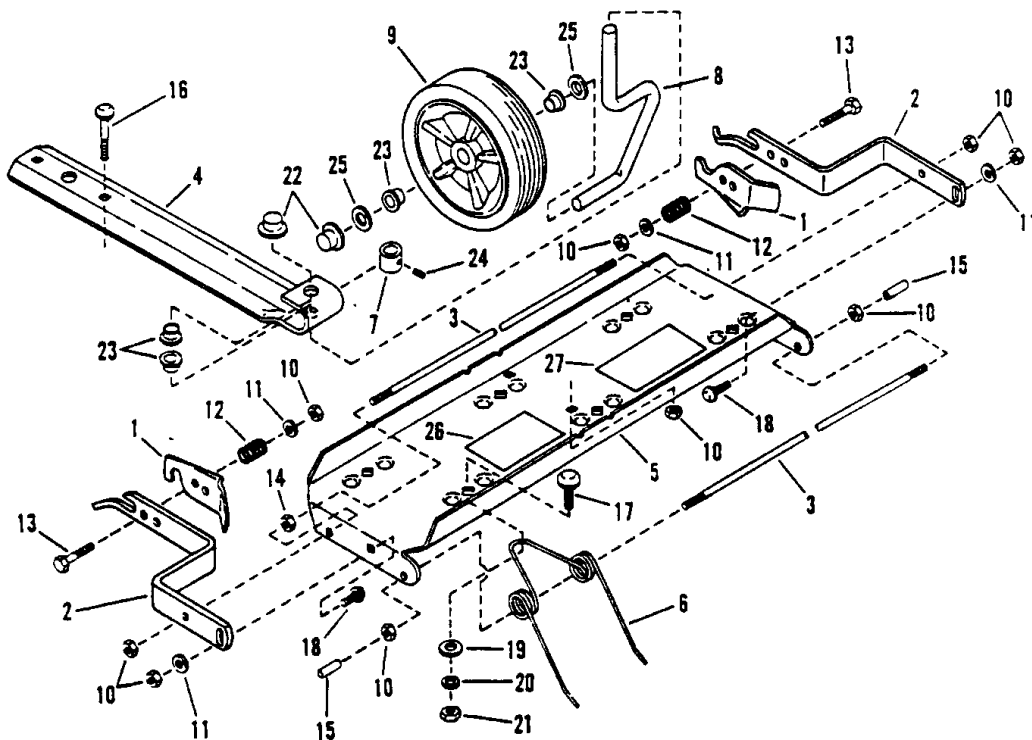
ITEM	PART NO.	DESCRIPTION
1	2-6384	LOGO, Recycling Mulcher (Ninja)
2	2-4211	DECAL, Blade Control
3	2-9782	DECAL, Blade Control (European Models Only)
4	2-4087	DECAL, Speed Sector
5	2-9783	DECAL, Speed Sector (European Models Only)
6	1-3010	DECAL, Danger
7	2-9619	DECAL, Briggs Logo
8	2-9965	DECAL, Convertible
9	2-9713	DECAL, Snapper
10	2-3009	DECAL, Noise Control (European Models Only)
11	2-9657	DECAL, SNAPPER 3.87 Dia.
12	2-9779	DECAL, Spark Plug (European Models Only)
13	2-9470	DECAL, Patent Numbers
14	2-8919	DECAL, 6.0 HP Briggs & Stratton XTL
15	2-6383	DECAL, Mulching Convertible
16	2-2841	DECAL, Warning (European)
17	2-9776	DECAL, European Community
18	2-9780	DECAL, Primer - International
19	2-9781	DECAL, Air Filter - International
20	2-4187	DECAL, 5 HP 2 Cycle
21	2-9784	DECAL, Chute - international
22	3-6434	DECAL, Date of Manufacture 1997
23	2-9193	DECAL, Front Baffle
24	3-6463	DECAL, Front Baffle (European Models Only)
25	4-6357	DECAL, Warning
26	2-8440	DECAL, Warning (Deck)
27	4-6720	DECAL, Warning Chute/Deflector

21" STEEL DECK SERIES 12 & 14

MANUAL No. 06059

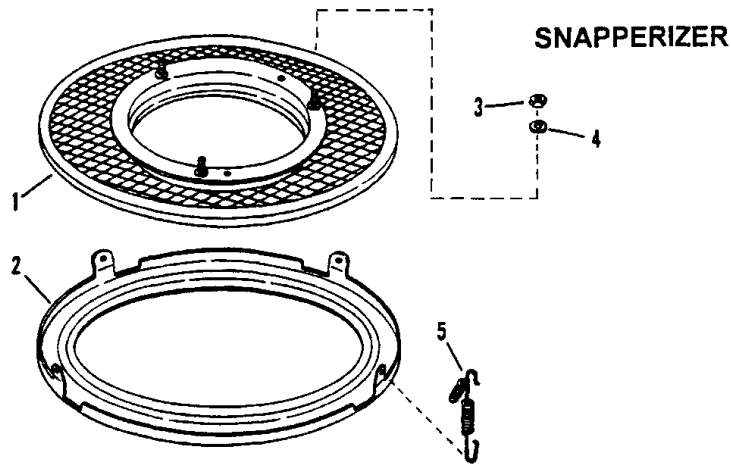
THATCHERIZER

ACCESSORY



ITEM	PART NO.	DESCRIPTION	ITEM	PART NO.	DESCRIPTION
-	6-1256	KIT, Thatcherizer (Includes Items 1 Thru 27)	14	9-0063	NUT, 1/4-20 Hex, Grade 5 (2)
1	3-2891	LATCH, Frame Attachment (2)	15	2-2424	CAP, Vinyl (2)
2A	2-6572	BAR, Mount (Right Hand)	16	9-0015	BOLT, 1/4-20 x 2-1/2" Carriage (2)
2B	2-6573	BAR, Mount (Left Hand)	17	9-0383	BOLT, 5/16-18 x 1" Carr., Gr. 5 (6)
3	1-8499	ROD, Tine (2)	18	9-0074	BOLT, 1/4-20 x 3/4" Carr. Gr. 5 (2)
4	1-8700	SUPPORT, Wheel	19	1-4098	WASHER, Reinforcing (6)
5	1-9948	TRAY, Tine	20	9-0187	WASHER, 5/16 Split Lock (6)
6	6-0574	KIT, Tine Thatching Spring (6)	21	9-0196	NUT, 5/16-18 Hex, Gr. 5 (6)
7	1-4100	BUSHING, Wheel Adjuster	22	1-4101	NUT, 1/2 Push (2)
8	1-8493	AXLE, Wheel	23	1-4342	BEARING, Nyliner (4)
9	1-8189	WHEEL, 7.00 x 1.50 Gage	24	1-4103	SCREW, 5/16-18 x 1/4" Set
10	9-0761	NUT, 1/4-20 Hex Top Lock (10)	25	9-0250	WASHER, 1/2 Flat (2)
11	9-0055	WASHER, 1/4 Flat (4)	26	1-4115	DECAL, Adjustment
12	2-2425	SPRING, Compression (2)	27	1-4062	DECAL, Thatcherizer
13	9-0825	BOLT, 1/4-20 x 1-1/4" Hex, Grade 5	-	6-1395	KIT, Adapter (Includes Items 1, 2 & 10 Thru 13)

**ACCESSORY**



ITEM	PART NO.	DESCRIPTION
-	6-0440	KIT, Snapperizer (Includes Items 1 Thru 5)
1	5-1243	SCREEN, Fastener Assembly
2	3-9759	RING, Bottom
3	9-0223	NUT, 5/16-24 Hex, Grade 5 (3)
4	9-0187	WASHER, 5/16 Split Lock (3)
5	1-2587	SPRING (3)

**ACCESSORY**

**RECYCLING KITS**

**RECYCLING KITS FOR 4 HP & ABOVE ENGINES**

PART NO.	DESCRIPTION
6-1200	KIT, Recycling Cover (Includes Items Below)
2-9149	COVER, 21" Deck
2-6407	BLADE, 21" Quad Edge

PART NO.	DESCRIPTION
6-1201	KIT, Recycling Plug (Includes Items Below)
1-6814	PLUG, Chute Adapter
2-6407	BLADE, 21" Quad Edge