

Parts Manual for
SNAPPER[®]

**21" ALUMINUM DECK
WALK BEHIND MOWER
COMMERCIAL
SERIES 1**

MODEL
ECLP21601RV



IT IS THE POLICY OF SNAPPER TO IMPROVE ITS PRODUCTS WHENEVER IT IS POSSIBLE AND PRACTICAL TO DO SO. WE RESERVE THE RIGHT TO MAKE CHANGES OR ADD IMPROVEMENTS AT ANY TIME WITHOUT INCURRING ANY OBLIGATION TO MAKE SUCH CHANGES ON PRODUCTS MANUFACTURED PREVIOUSLY.

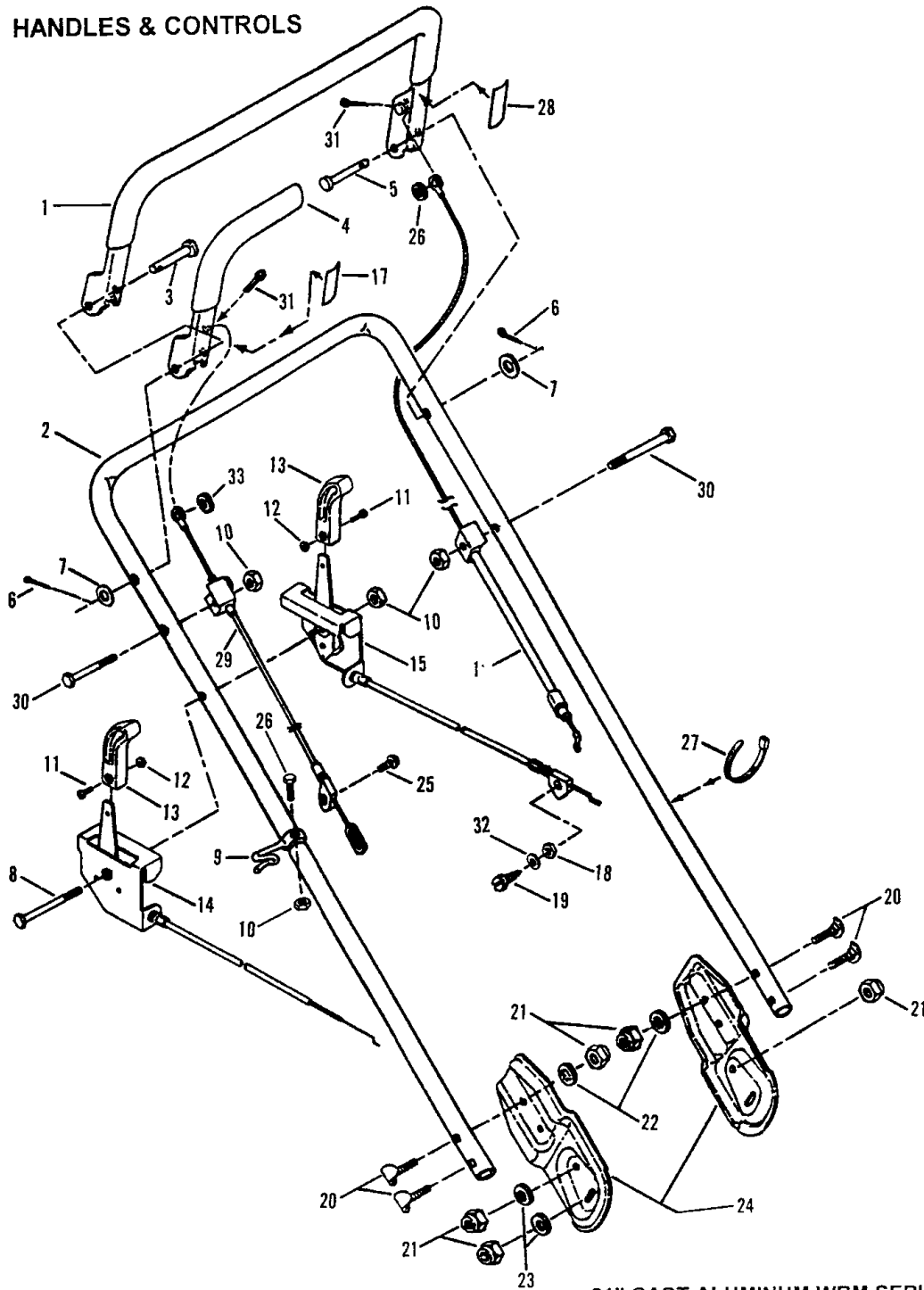
COPYRIGHT © 1998
SNAPPER INC
ALL RIGHTS RESERVED

SNAPPER McDonough, GA., 30253 U.S.A.

(I.R. 11/98)

MANUAL No. 06200

HANDLES & CONTROLS



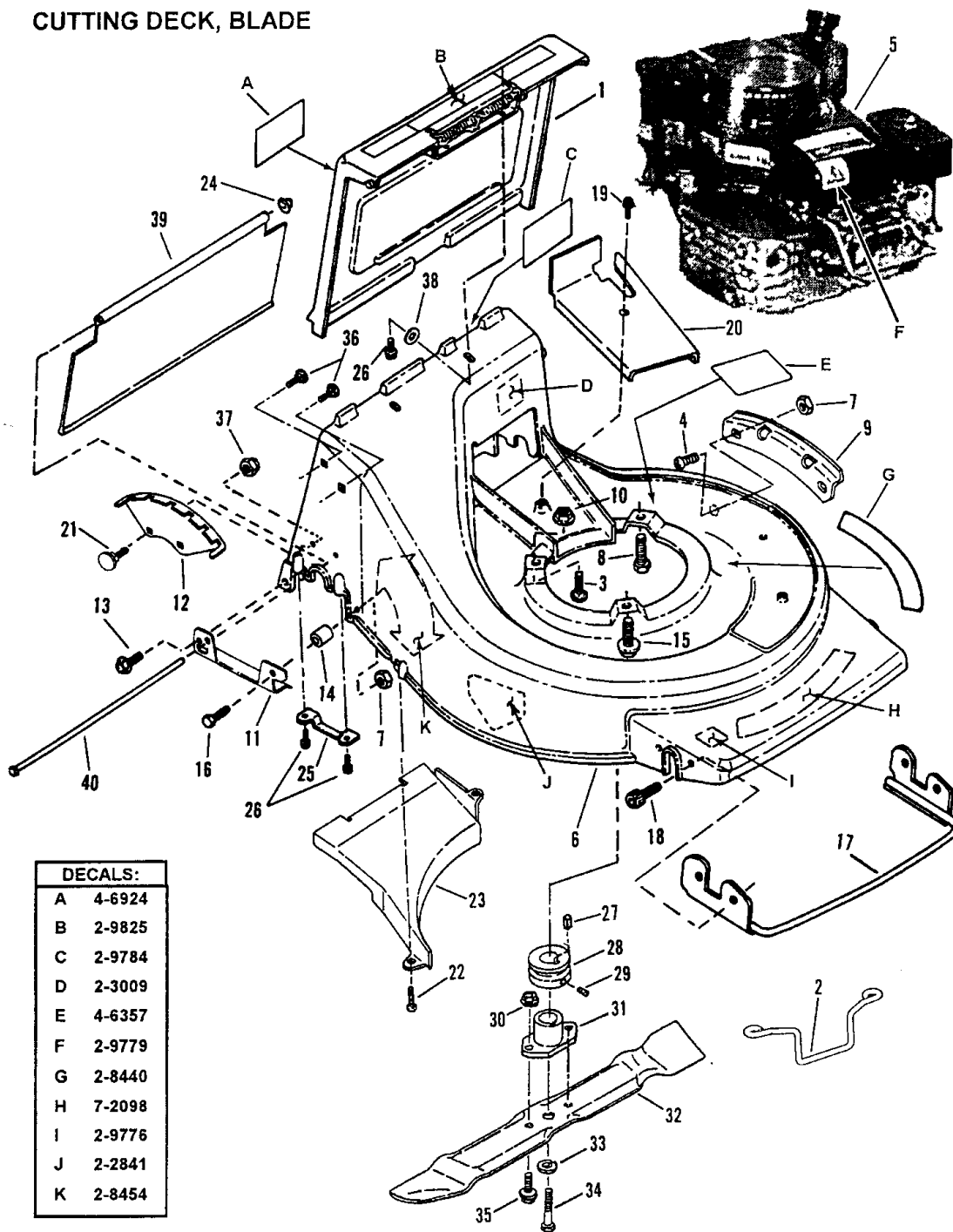
MANUAL No. 06200

21" CAST ALUMINUM WBM SERIES 1

HANDLES & CONTROLS

ITEM	PART NO.	DESCRIPTION
1	2-8933	CONTROL, Blade/Engine
2	3-4786	HANDLE, Upper
3	9-1644	PIN, 5/16 x 1-23/32" Clevis
4	2-8815	CONTROL, Wheel Drive
5	9-1645	PIN, 5/16 x 1-7/16" Clevis
6	9-0555	COTTER-PIN, 3/32 x 1/2" (2)
7	9-1076	WASHER, 5/16" Flat (2)
8	9-1251	SCREW, 1/4-20 x 2-1/2" Hex Head Cap, Grade 5
9	2-2779	GUIDE, Pull Rope
10	7-6978	NUT, 1/4-20 Hex Nyloc (4)
11	9-1017	SCREW, #8-32 x 3/8" Fillister Head (2)
12	9-1018	NUT, #8-32 Hex (2)
13	2-3655	KNOB, Engine Speed Control & Ground Speed Control (2)
14	2-8887	CONTROL, Engine Speed
15	2-8886	CONTROL, Ground Speed
16	4-6524	CABLE, Blade/Engine Control (Robin)
17	2-9432	DECAL, Ground Drive
18	9-1267	NUT, #10-24 Hex Center Lock
19	9-1941	SCREW, #10-24 x 3/4" Pan Head Machine
20	9-1190	BOLT, 5/16-18 x 1-1/2" Curved Head Carriage (4)
21	9-1298	NUT, 5/16-18 Hex Nyloc (8)
22	9-0391	WASHER, 5/16" Internal Tooth Lock (4)
23	9-1296	WASHER, 11/32" Flat (4)
24	3-4848	BRACKET, Handlebar (2)
25	9-1075	SCREW, #10-24 x 5/8" Slotted Hex Washer Head, Self-Tap
26	7-9577	SCREW, 1/4-20 x 1-1/2" Hex Head Cap, Grade 5
27	2-4641	TIE, Wire (4)
28	2-9431	DECAL, Operator Presence Control
29	4-6518	CABLE, Wheel Drive Control
30	9-0505	SCREW, 1/4-20 x 2" Hex Head Cap, Grade 5 (2)
31	9-1780	COTTER-PIN, 1/16 x 1/2" (2)
32	9-1552	WASHER, 7/32" Flat
33	9-1702	WASHER, 3/16 Flat (2)

CUTTING DECK, BLADE



DECALS:	
A	4-6924
B	2-9825
C	2-9784
D	2-3009
E	4-6357
F	2-9779
G	2-8440
H	7-2098
I	2-9776
J	2-2841
K	2-8454

MANUAL No. 06200

4

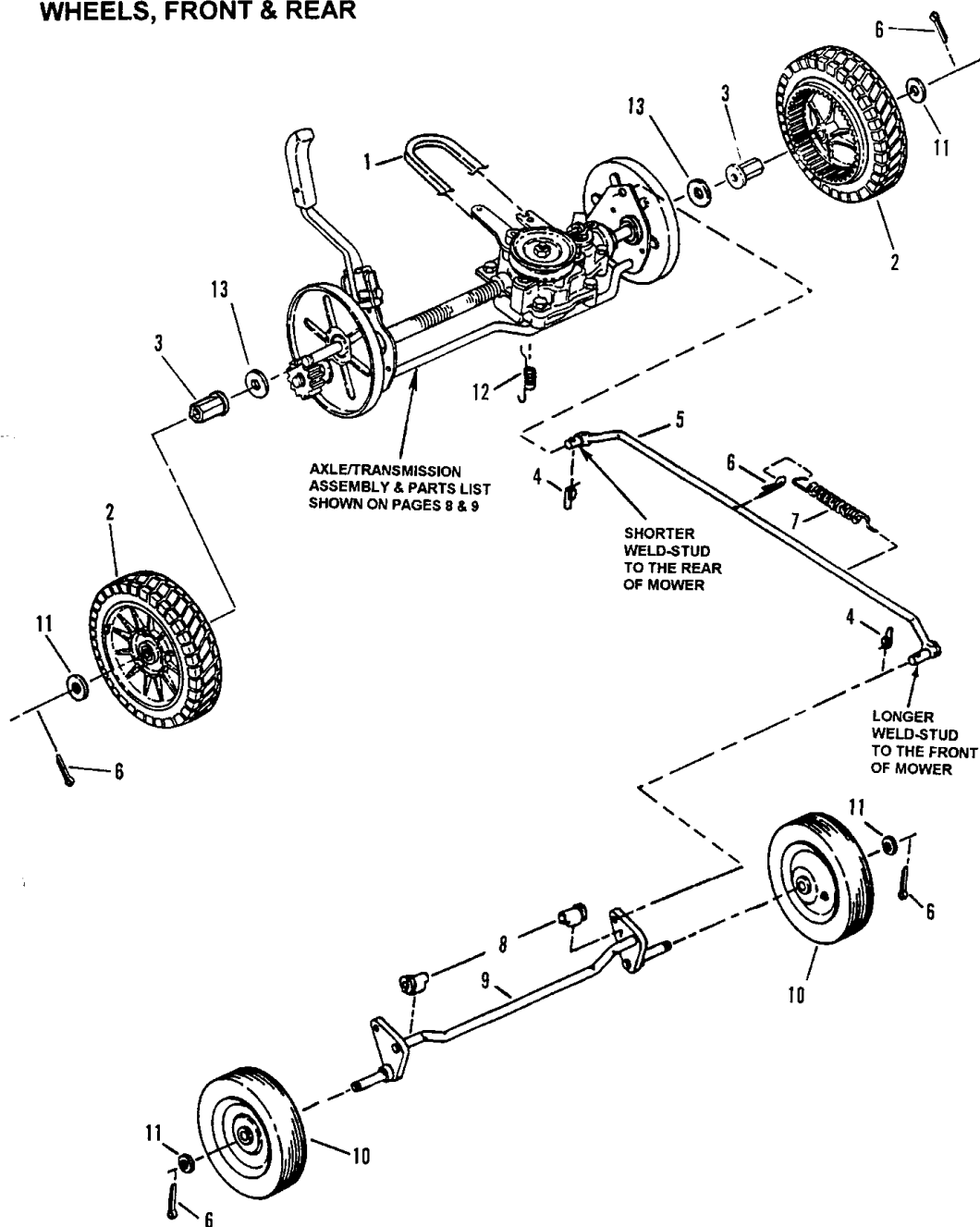
21" CAST ALUMINUM WBM SERIES 1

CUTTING DECK, BLADE

ITEM	PART NO.	DESCRIPTION
1	5-2881	ASSEMBLY, Discharge Door (Commercial)
2	7-2143	GUIDE, Belt
3	9-0700	BOLT, 5/16-18 x 1-1/2" Hex Flange Lock, Grade 5
4	9-1696	SCREW, 1/4-20 x 5/8" Phillips Truss Head Machine Screw (4)
5	**	ENGINE, Robin 6.0 HP Model - EH18V
6	4-3888	DECK, 21" Cast Aluminum Short (Red)
7	9-1603	NUT, 1/4-20 Hex Nyloc (6)
8	9-0324	SCREW, 3/8-16 x 1" Hex Washer Face Self-Tap
9	3-4734	GUARD, Wear (2)
10	9-0585	NUT, 5/16-18 Hex Flange Lock, Grade 5
11	4-2999	BRACKET, R.H. Stiffener
--	4-3790	BRACKET, L.H. Stiffener (not shown)
12	3-4692	PLATE, Height Adjustment
13	9-1819	SCREW, 1/4-20 X 5/8" Hex Washer Face Self-Tap (2)
14	4-2988	SPACER, Stiffener (2)
15	9-0595	BOLT, 5/16-18 x 3/4" Hex Flange Lock, Grade 5
16	2-7230	SCREW, 1/4-20 X 1" Hex Head Cap, Grade 5 (2)
17	4-1736	SUPPORT, Front Bumper
18	9-0999	SCREW, 1/4-20 x 5/8" Truss Head (Torx) (4)
19	9-1201	SCREW, #10-24 x 1-1/2" Slotted Hex Washer Head, Self-Tap
20	4-6506	COVER, Ground Speed Drive Belt
21	9-1711	BOLT, #10-24 x 5/8" Flat Head Carriage (2)
22	9-1075	SCREW, #10-24 x 5/8" Slotted Hex Washer Head, Self-Tap (4)
23	4-1750	WELDMENT, Baffle
24	9-1892	NUT, 1/4" Push
25	3-3732	SUPPORT, Rear Axle (2)
26	9-0362	SCREW, 1/4-20 x 5/8" Hex Washer Head, Self-Tap (6)
27	1-6755	KEY, 1/4" Square x 3/4" (2)
28	2-2106	PULLEY, Traction Drive
29	9-0201	SCREW, 5/16-18 x 5/16" Hex Socket Set
30	7-6979	NUT, 3/8-16 Hex Nyloc (2)
31	2-6631	HUB, Blade Drive, 25mm I.D.
32	2-6428	BLADE, 21" Bagging
33	7-9268	WASHER, 3/8 Split Lock (Heavy)
34	9-0483	SCREW, 3/8-24 x 1-3/4" Hex Cap, Grade 5
35	9-0143	BOLT, 3/8-16 x 1-1/4" Hex Flange Lock (2)
36	9-1714	BOLT, 5/16-18 x 1" Round Head Carriage, Grade 5 (4)
37	9-1267	NUT, #10-24 Hex Center Lock (2)
38	9-0055	WASHER, 1/4 Flat (2)
39	4-3870	SHIELD, Trailing
40	4-3808	ROD, Trailing Shield Pivot

**PURCHASE ENGINE & ENGINE PARTS FROM ENGINE SERVICE OUTLETS.

WHEELS, FRONT & REAR



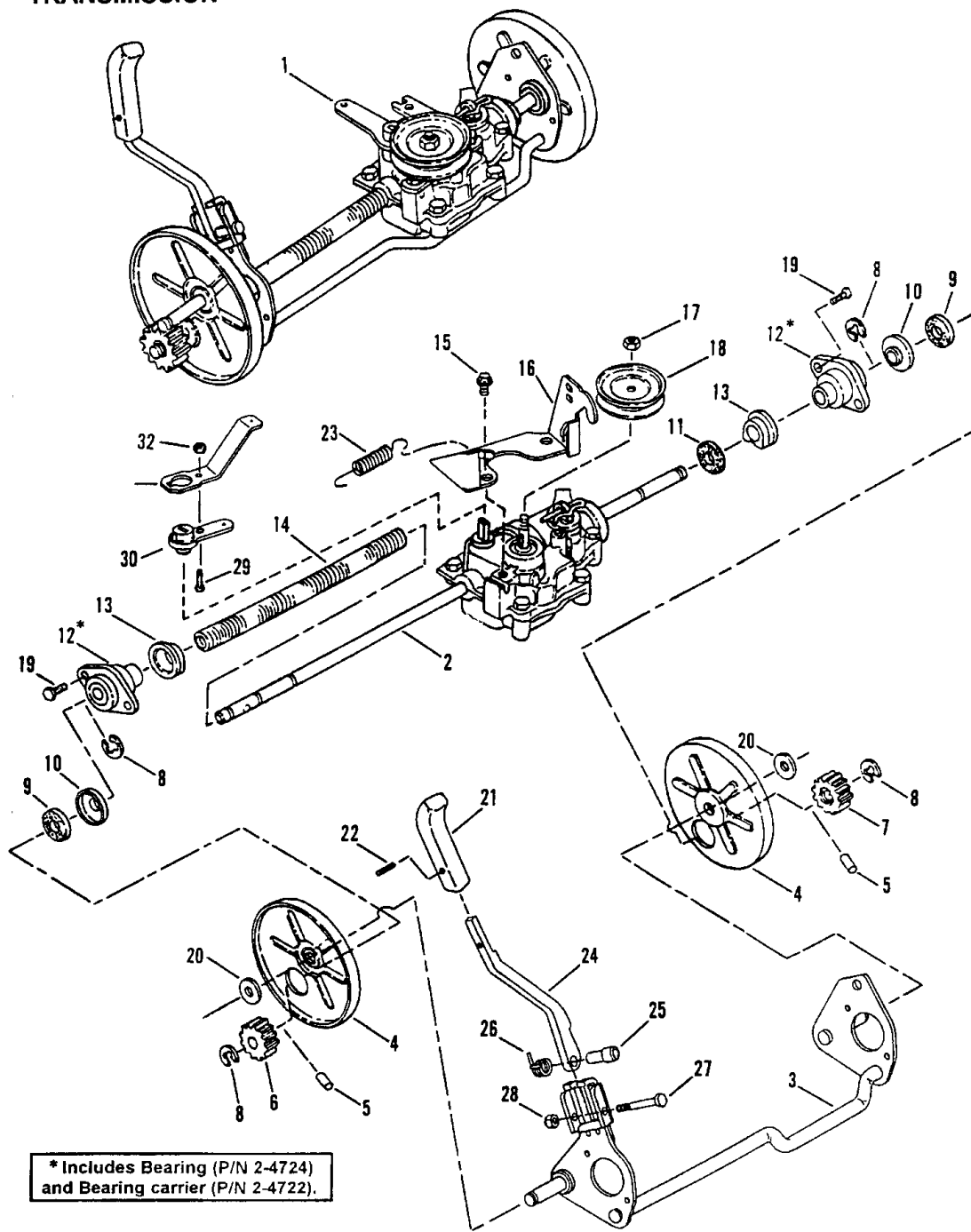
MANUAL No. 06200

21" CAST ALUMINUM WBM SERIES 1

WHEELS, FRONT & REAR

ITEM	PART NO.	DESCRIPTION
1	2-9492	BELT, Traction Drive
2	5-3880	WHEEL, 9.0 x 2.0 (Rear Drive) (Includes item 3) (2)
3	2-4541	BUSHING, Wheel (2)
4	9-1593	COTTER-PIN, 3/8" Self-Locking (2)
5	4-1744	WELDMENT, Tie Bar
6	9-1598	COTTER-PIN, 1/8" x 3/4" (6)
7	2-4751	SPRING, Tie Bar
8	2-4558	BUSHING, Front Axle (2)
9	4-1739	WELDMENT, Front Axle
10	4-2814	WHEEL, 8.0 x 2.0 (Front) (2)
11	9-1733	WASHER, 1/2" Flat (4)
12	4-6522	SPRING, Clutch (also shown on pages 8 & 9)
13	9-1194	WASHER, 17/32" (2) (also shown on pages 8 & 9)

TRANSMISSION



* Includes Bearing (P/N 2-4724) and Bearing carrier (P/N 2-4722).

MANUAL NO. 06200

21" CAST ALUMINUM WBM SERIES 1

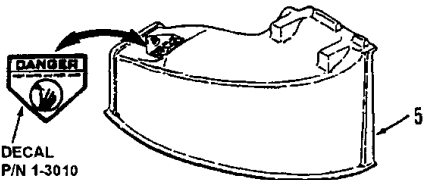
8

TRANSMISSION

ITEM	PART NO.	DESCRIPTION
1	5-3898	AXLE/TRANSMISSION ASSEMBLY (Includes items 2 thru 19 & 24 thru 28)
2	2-8813	ASSEMBLY, Transmission 3-Speed Commercial
3	4-1738	WELDMENT, Rear Axle
4	2-4573	SHIELD, Dust (2)
5	2-4749	PIN, Pawl, 3/16 O.D. (2)
6	2-4549	PINION, Right Hand Drive
7	2-4550	PINION, Left Hand Drive
8	1-4341	RING, Retaining (4)
9	2-6479	SEAL, Pinion (Felt) (2)
10	2-6478	RETAINER, Pinion Seal (2)
11	2-4879	WASHER, Felt
12	2-5066	ASSEMBLY, Bearing Carrier (2)
13	2-4715	BUSHING, Rear Axle (2)
14	2-4748	TUBING, 5/8" I.D., Convoluted
15	9-0361	SCREW, 5/16-18 x 5/8" Hex Washer Head, Self-Tap (2)
16	3-5325	BRACKET, Transmission
17	9-1187	NUT, M10-1.50 Hex Nyloc
18	2-9494	PULLEY, Transmission
19	9-1084	SCREW, 1/4-20 x 3/8" Hex Washer Head, Self-Tap (4)
20	9-1194	WASHER, 17/32 I.D. x 1-1/2" O.D. (2)
21	2-3657	KNOB, Height Adjusting Lever
22	9-0844	ROLL-PIN, 3/16 x 3/4"
23	4-6522	SPRING, Clutch
24	3-4776	HANDLE, Height Adjustment
25	2-8926	SPACER
26	2-8888	SPRING, Return
27	9-0505	SCREW, 1/4-20 x 2" Hex Head Cap, Grade 5
28	7-6978	NUT, 1/4-20 Hex Nyloc
29	9-1075	SCREW, #10-24 x 5/8" Slotted Hex Washer Head, Self-Tap
30	3-5541	ARM, Shift
31	3-5540	LEVER, Transmission
32	9-1267	NUT, #10-24 Hex Center Lock

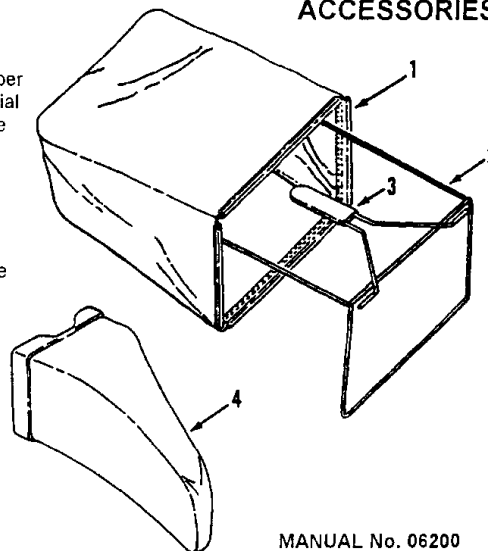
ACCESSORIES

	ITEM	PART NO.	DESCRIPTION
GRASS CATCHER PARTS	1	4-5199	Grass Catcher Snapper Cast Deck Commercial
	2	5-3176	Grass Catcher Frame
	3	2-6421	Grip
MULCHING PARTS	4	2-6390	Mulching Plug
DISCHARGING PARTS	5	2-6714	Side Discharge Chute (Includes WARNING Decal P.N. 1-3010)



21" CAST ALUMINUM WBM SERIES 1

9



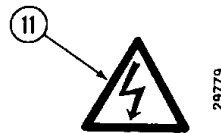
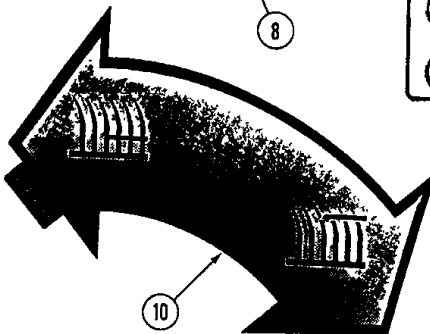
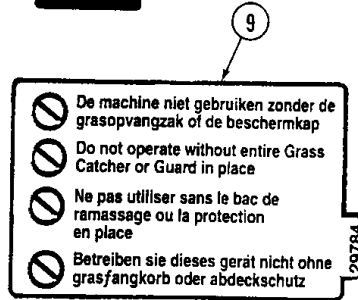
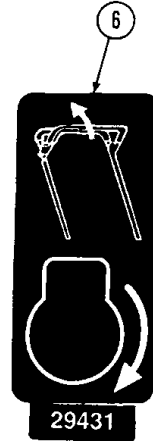
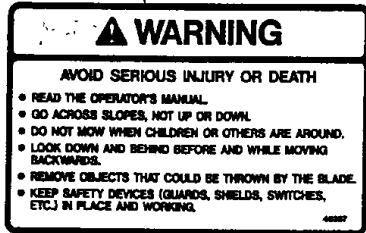
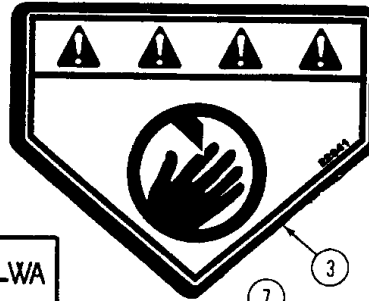
MANUAL No. 06200

DECALS

SS

1

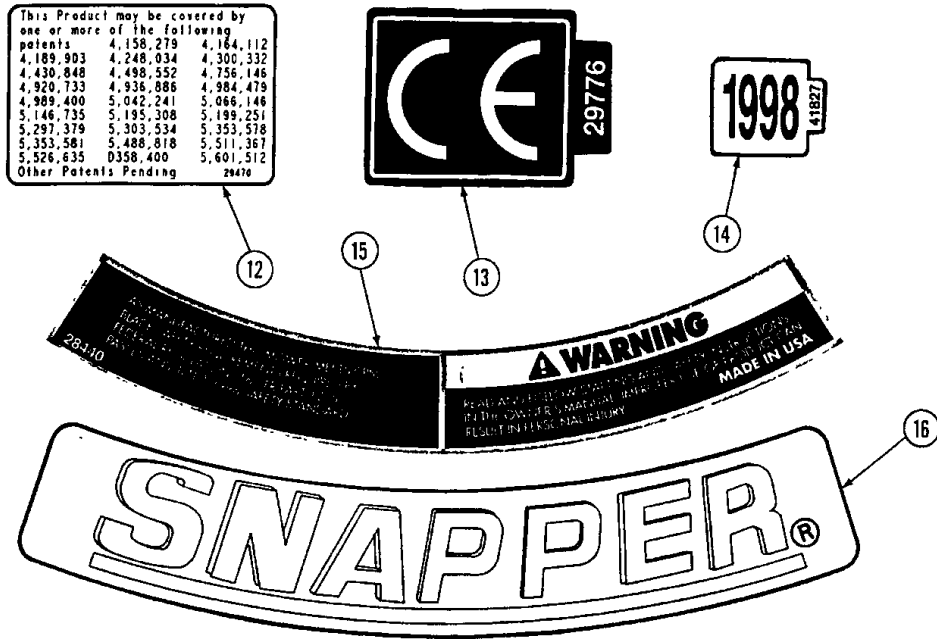
<p>Mit Vorsicht betreiben Beistehende fernhalten Lesen Sie die Gebrauchsanleitung vor Inbetriebnahme dieses Gerätes</p>	<p>Betreiben Sie dieses Gerät nicht ohne Grasfangkorb oder Abdeckschutz</p>
<p>Utiliser avec précaution Tenir toute personne éloignée Lire le manuel d'instructions avant d'utiliser cette machine</p>	<p>Ne pas utiliser sans le bac de ramassage ou la protection en place</p>
<p>Operate Safely Keep Bystanders Away Read User Instructions Before Operating This Machine</p>	<p>Do not operate without entire Grass Catcher or Guard in place</p>
<p>Voorzichtig bij het gebruik Omstanders weghouden Gebruiksaanwijzing lezen voor deze machine in gebruik te nemen</p>	<p>De machine niet gebruiken zonder de grasopvangzak of de beschermkap</p>



MANUAL No. 06200

21" CAST ALUMINUM WBM SERIES 1

DECALS



ITEM	PART NO.	DESCRIPTION
1	2-9825	DECAL, Warning (Euro) w/ special adhesive
2	1-3010	DECAL - DANGER
3	2-2841	DECAL - WARNING (Deck) (European Models Only)
4	2-3009	DECAL, Noise Control (European Models)
5	4-6357	DECAL, Warning
6	2-9431	DECAL, OPC
7	2-9432	DECAL, Ground Drive
8	4-6924	DECAL, Chute Deflector (Cast Deck)
9	2-9784	DECAL - DANGER (European Models Only)
10	2-8454	DECAL, Height Control Instruction
11	2-9779	DECAL, Spark Plug (European Models Only)
12	2-9470	DECAL, Patent Numbers
13	2-9776	DECAL, European Community (European Models)
14	4-1827	DECAL, 1998 Year of Manufacture
15	2-8440	DECAL - WARNING (Deck)
16	7-2098	DECAL, SNAPPER (Curved)

Parts Manual for

SNAPPER®

**21" ALUMINUM DECK
WALK BEHIND MOWER
COMMERCIAL
SERIES 1**

MODEL

ECLP21601RV

SNAPPER McDonough, GA., 30253 U.S.A.

COPYRIGHT © 1998
SNAPPER INC.
ALL RIGHTS RESERVED

MANUAL No. 06200

(I.R. 11/98)

Printed in U.S.A.